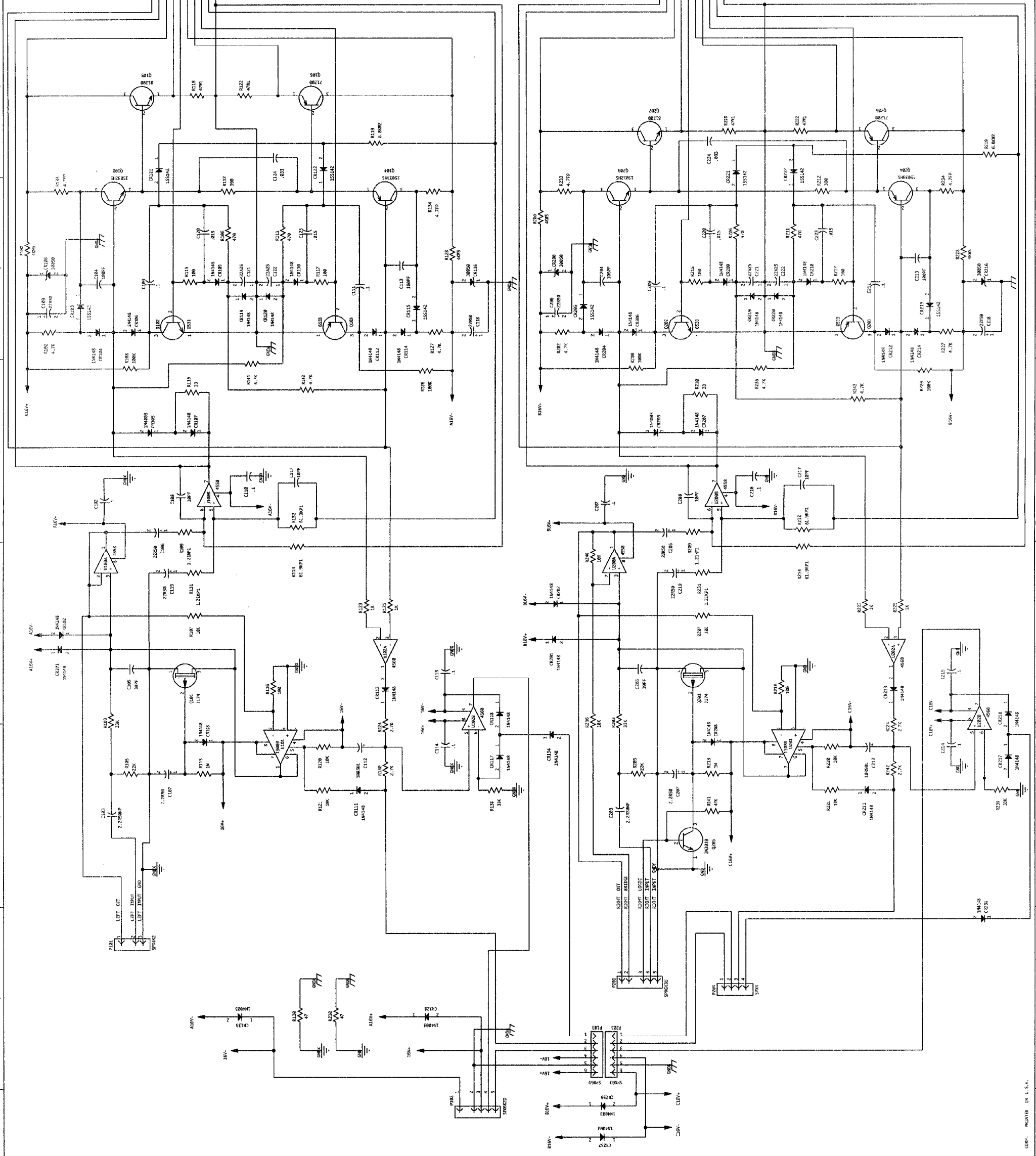


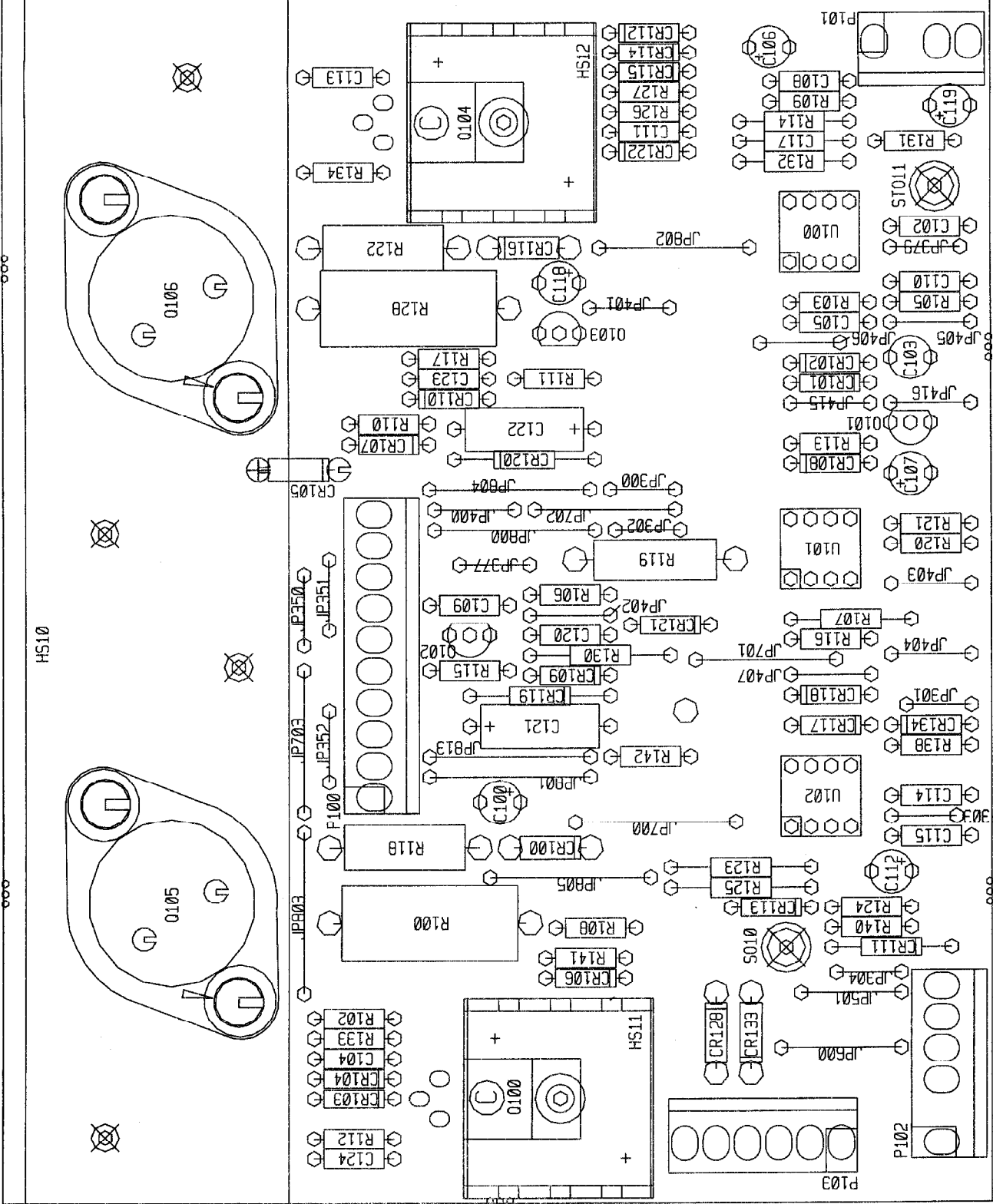
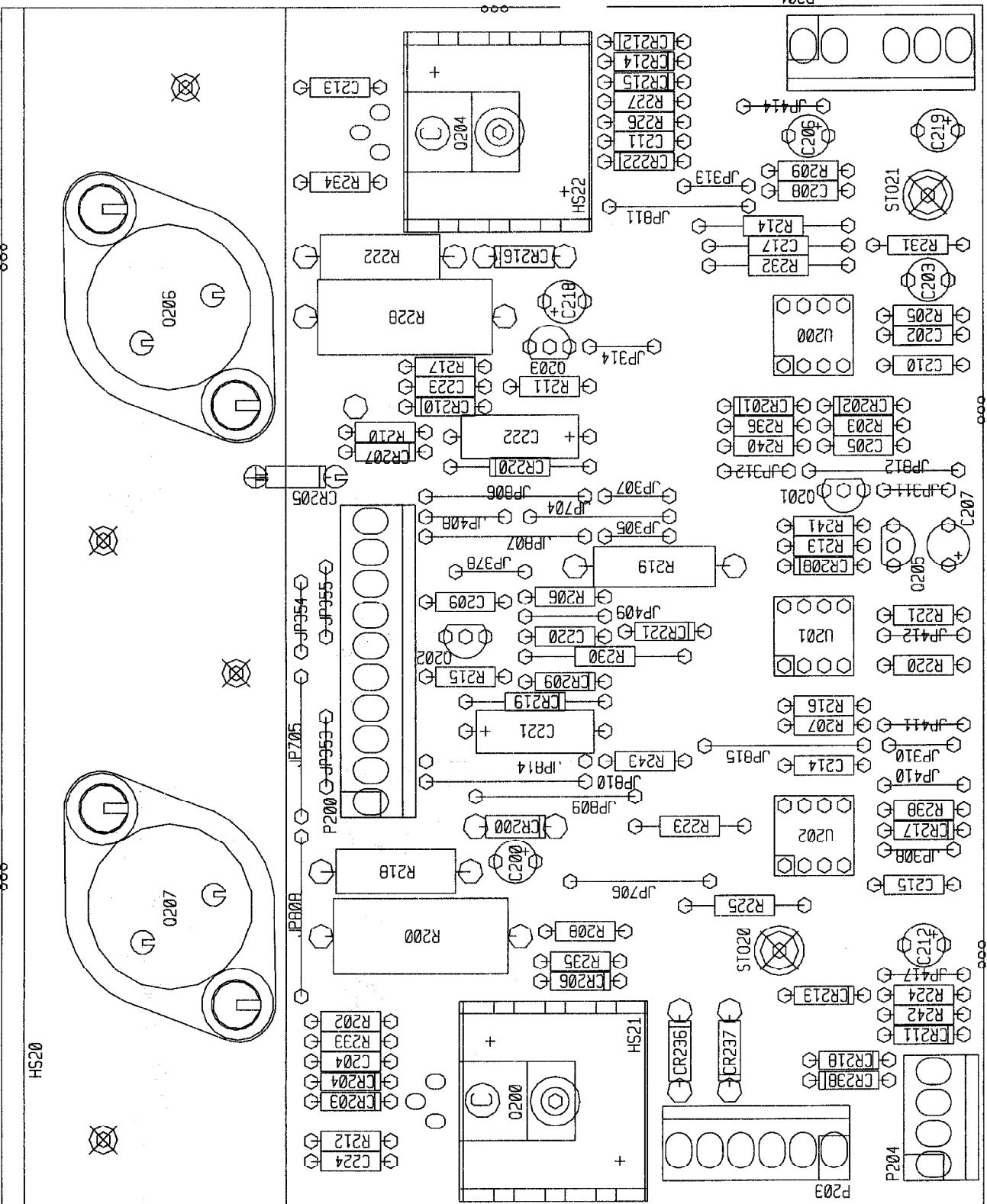
*15886 DIODE
LOCATED ON
OUTPUT BOARD
(PINS 1 AND 2)

*15886 DIODE
LOCATED IN
OUTPUT BOARD
(PINS 1 AND 2)

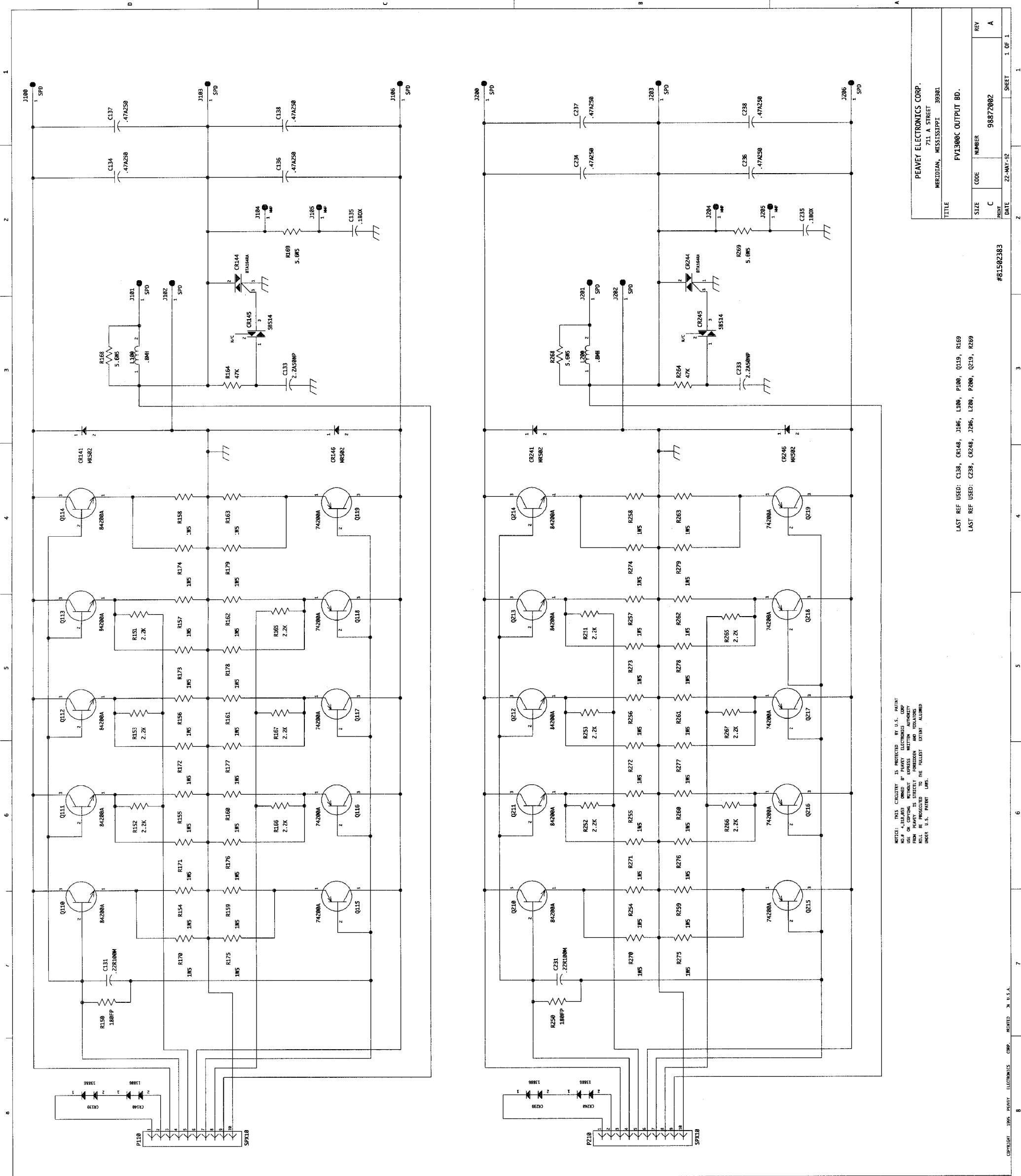
NOTICE: THIS CIRCUITRY IS
PROTECTED BY U.S. PATENT NO.
3,184,800 ISSUED TO PEWEY
ELECTRONICS CORP. NO
OR COPYING WITHOUT EXPRESS
WRITTEN AUTHORITY FROM PEWEY
IS STRICTLY FORBIDDEN AND
VIOLATORS WILL BE PROSECUTED
TO THE FULLEST EXTENT ALLOWED
UNDER U.S. PATENT LAWS.

PEWEY ELECTRONICS CORP.	
711 A STREET MEMPHIS, MISSISSIPPI 38001	
TITLE PV1.3K DRIVE	
SIZE D	NUMBER #81502383
REV B	SHEET 1 OF 1





PV 1.3K Drive

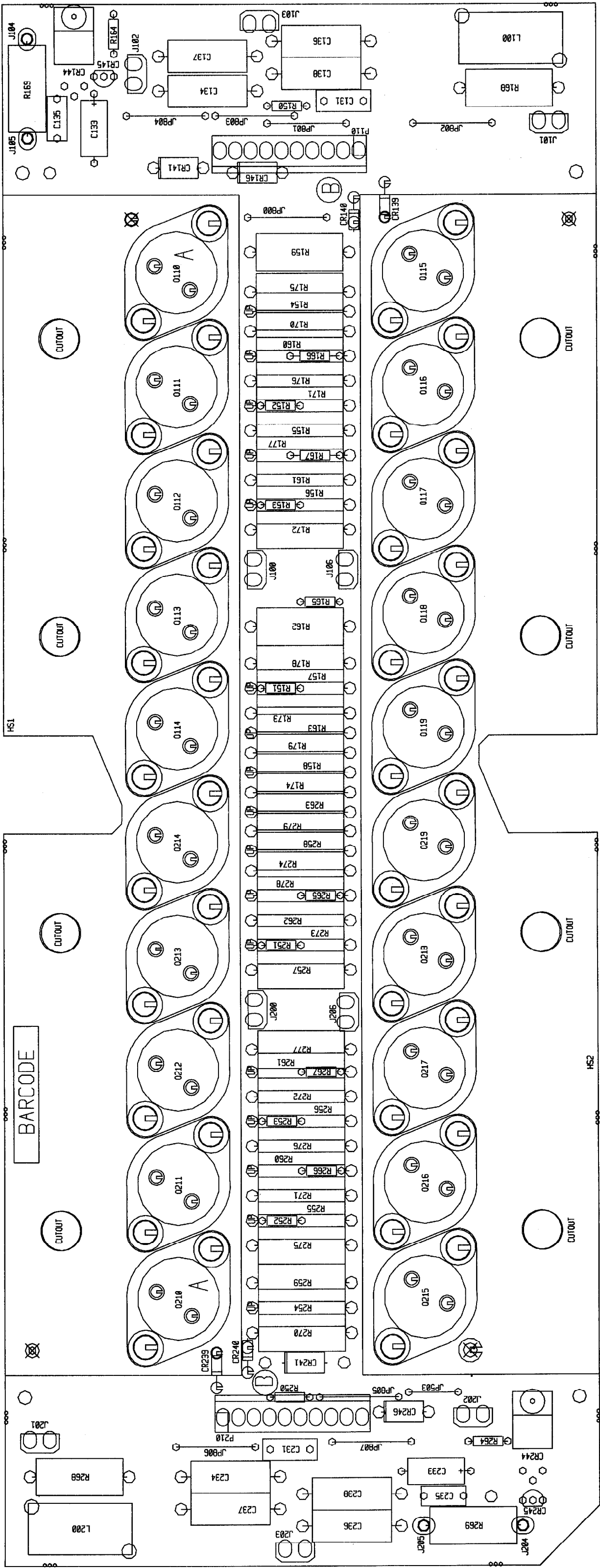


NOTICE: THIS COUNTRY IS PROTECTED BY U.S. PATENT NO. 4,314,865 OWNED BY PEAVEY ELECTRONICS CORP. ANY REPRODUCTION OF THIS DOCUMENT WITHOUT THE WRITTEN PERMISSION OF PEAVEY ELECTRONICS CORP. WILL BE PROSECUTED TO THE FULLEST EXTENT ALLOWED UNDER U.S. PATENT LAWS.

LAST REF USED: C138, CR148, J104, L100, Q119, R169
 LAST REF USED: C238, CR248, J206, L200, P200, Q219, R289

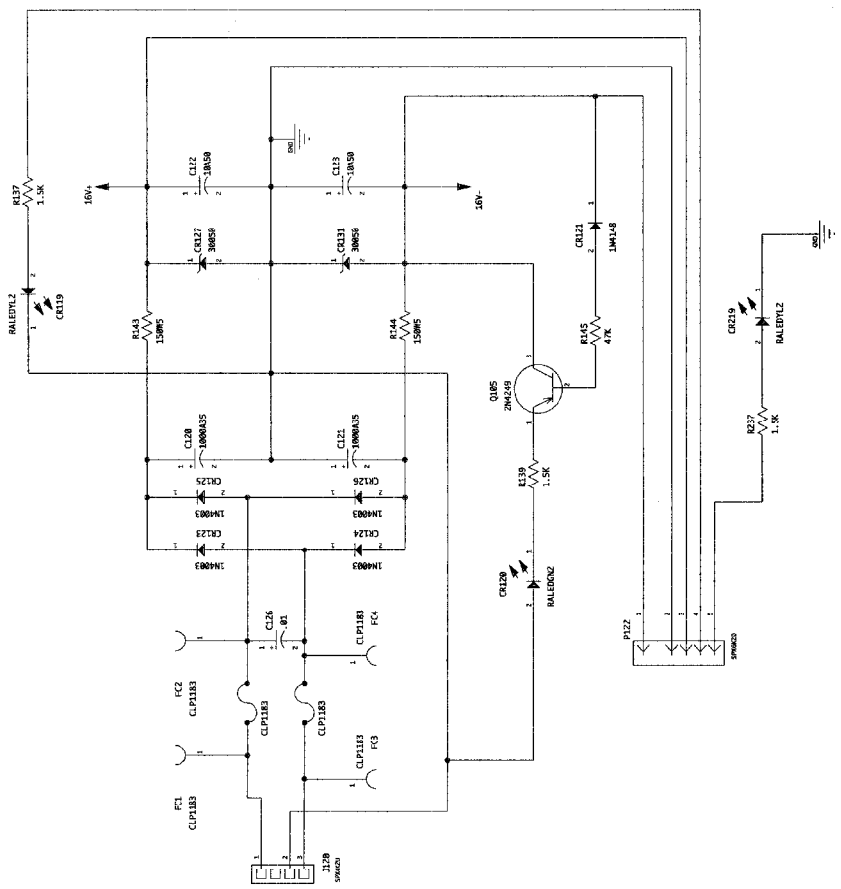
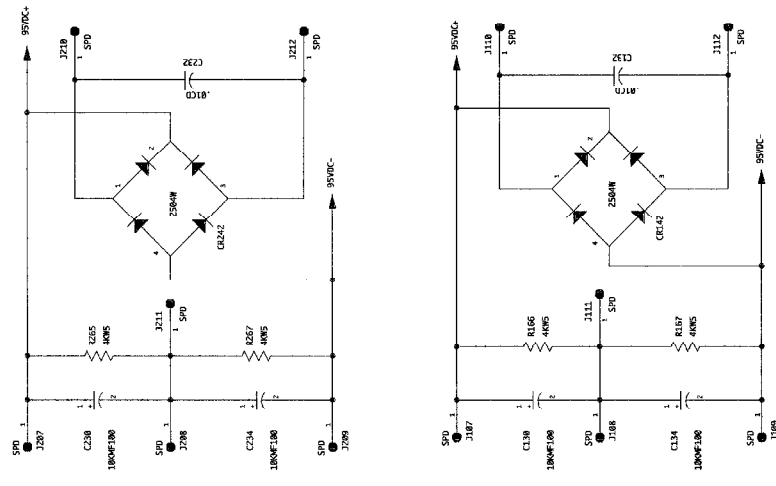
PEAVEY ELECTRONICS CORP. 711 A STREET MERIDIAN, MISSISSIPPI 39301	
TITLE	FV1300C OUTPUT BD.
SIZE	C
REV	A
DATE	22-MAY-92
NUMBER	98872002
SHEET	1 OF 1

#61502383



BOARD NAME: PV1.3K-OUTPT				
ASSEMBLY LEVEL NUMBER: 99372003				
QTY.	PART NUMBER	DESCRIPTION AND DEVICE DESIGNATIONS		

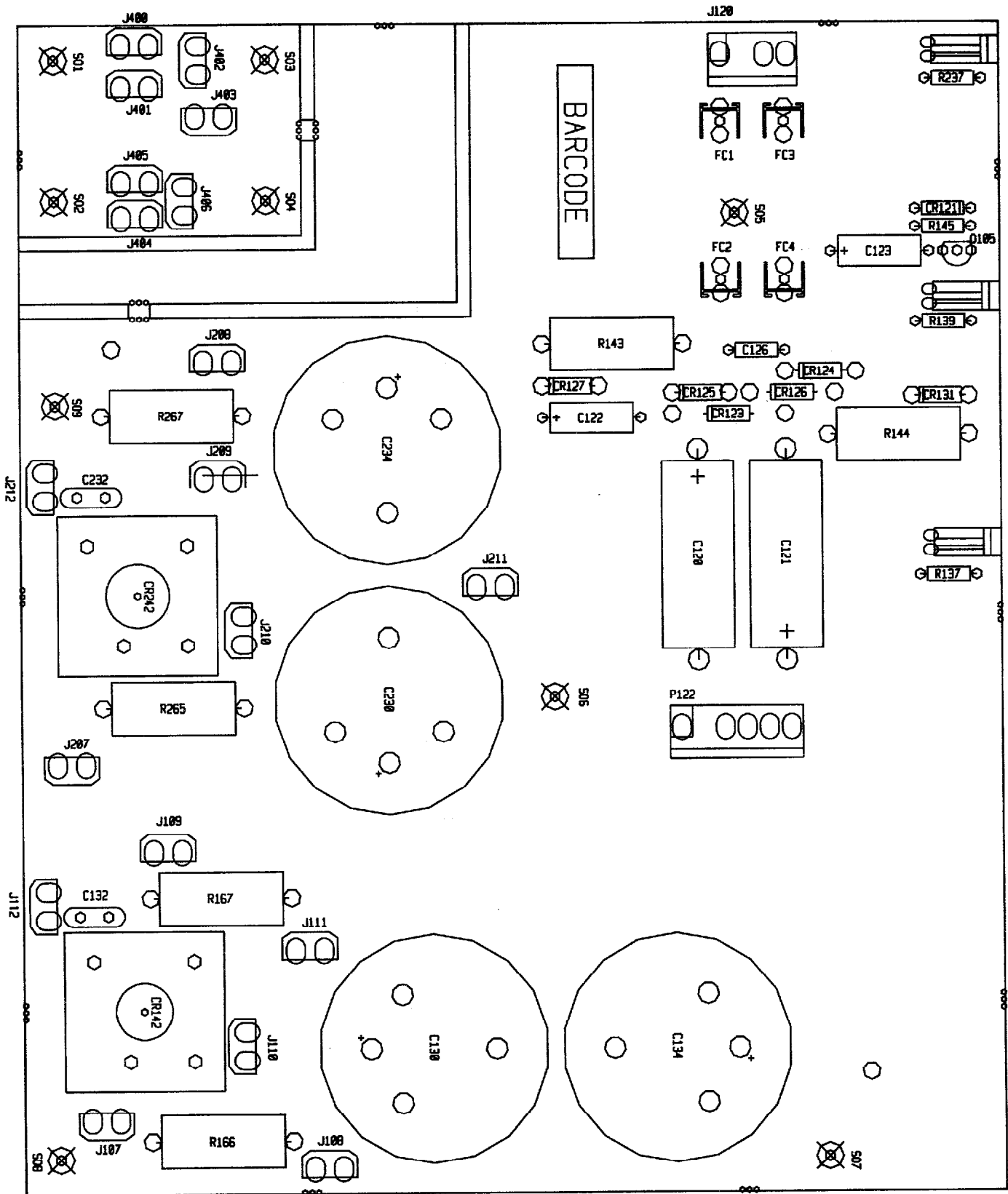
1	70330007	.22 MFD 100VDC 5% MYLAR C131	1	70240099 180 OHM FLAME PROOF RESISTOR R150
1	70320010	2.2MFD 20% 50V NP EL T&R C133	3	70240020 2.2K-1/4W-5%—CF-T&R R151, R152, R153
1	70340065	.47MFD 10% N/P 15 VDC T & R C134	10	70250056 1-5W-5%—WW-AXL R154, R155, R156, R157, R158, R159, R160, R161, R162, R163
1	70320086	.1 MFD 100VDC 10% BOX CAP C135	1	70240031 47K-1/4W-5%—CF-T&R R164
3	70340065	.47MFD 10% N/P 15 VDC T & R C136, C137, C138	3	70240020 2.2K-1/4W-5%—CF-T&R R165, R166, R167
1	70330007	.22 MFD 100VDC 5% MYLAR C231	2	70250026 5.6-5W-10%—WW-AXL R168, R169
1	70320010	2.2MFD 20% 50V NP EL T&R C233	10	70250056 1-5W-5%—WW-AXL R170, R171, R172, R173, R174, R175, R176, R177, R178, R179
1	70340065	.47MFD 10% N/P 15 VDC T & R C234	1	70240099 180 OHM FLAME PROOF RESISTOR R250
1	70320086	.1 MFD 100VDC 10% BOX CAP C235	3	70240020 2.2K-1/4W-5%—CF-T&R R251, R252, R253
3	70340065	.47MFD 10% N/P 15 VDC T & R C236, C237, C238	10	70250056 1-5W-5%—WW-AXL R254, R255, R256, R257, R258, R259, R260, R261, R262, R263
2	70413886	SZ-13886-2 DUAL DIODE CR139, CR140	1	70240031 47K-1/4W-5%—CF-T&R R264
1	70400502	MR502/1N5402 200V, 3A SILICON DIODE CR141	3	70240020 2.2K-1/4W-5%—CF-T&R R265, R266, R267
1	70400099	400V, 16A, TO220 INSUL TRIAC CR144	2	70250026 5.6-5W-10%—WW-AXL R268, R269
1	70460014	SBS14 8V T0-92 BI-DIRECTIONAL SWITCH T&A CR145	10	70250056 1-5W-5%—WW-AXL R270, R271, R272, R273, R274, R275, R276, R277, R278, R279
1	70400502	MR502/1N5402 200V, 3A SILICON DIODE CR146	*****	
2	70413886	SZ-13886-2 DUAL DIODE CR239, CR240		
1	70400502	MR502/1N5402 200V, 3A SILICON DIODE CR241		
1	70400099	400V, 16A, TO220 INSUL TRIAC CR244		
1	70460014	SBS14 8V T0-92 BI-DIRECTIONAL SWITCH T&A CR245		
1	70400502	MR502/1N5402 200V, 3A SILICON DIODE CR246		
2	98001824	PV1300C HEATSINK PLATE HS1, HS2		
4	73716194	.250 PC MNT SPADE .093 PCB J100, J101, J102, J103		
2	73711812	R93-12 PN C.B. MALE MOLEX PIN J104, J105		
5	73716194	.250 PC MNT SPADE .093 PCB J106, J200, J201, J202, J203		
2	73711812	R93-12 PN C.B. MALE MOLEX PIN J204, J205		
1	73716194	.250 PC MNT SPADE .093 PCB J206		
2	70519917	.8MH AIR CORE COIL / CS1200 L100, L200		
2	XXXXXXXX	10 EACH OF STAKE PINS P110, P210		
5	70484200	SJ-84200, NPN, 4 AMP, 200V, METRIC TO-3 TRANS Q110, Q111, Q112, Q113, Q114		
5	70474200	SJ-74200, 4 AMP, 200V, METRIC TO-3, PNP TRANS Q115, Q116, Q117, Q118, Q119		
5	70484200	SJ-84200, NPN, 4 AMP, 200V, METRIC TO-3 TRANS Q210, Q211, Q212, Q213, Q214		
5	70474200	SJ-74200, 4 AMP, 200V, METRIC TO-3, PNP TRANS Q215, Q216, Q217, Q218, Q219		



NOTICE: THIS INVENTION IS PROTECTED BY U.S. PATENT OFFICE PATENT NO. 3,111,111. ANY REPRODUCTION OR USE IN ANY MANNER WITHOUT THE WRITTEN PERMISSION OF PEAVEY ELECTRONICS CORP. IS PROHIBITED. THIS DOCUMENT IS UNCLASSIFIED DATE 08-14-2010 BY 60322 UCBAW/SJS/STP

PEAVEY ELECTRONICS CORP. 711 A STREET MEMPHIS, MISSISSIPPI 38101	
TITLE	PV1.3K POWER SUPPLY
SIZE	C
CODE	NUMBER
REV	98871981
DATE	17-NOV-87
SHEET	1 OF 1

#81502383



BOARD NAME: PV1.3 PWSUP

ASSEMBLY LEVEL NUMBER: 99371982

* QTY.	PART NUMBER	DESCRIPTION AND DEVICE DESIGNATIONS *****
2	70320038	1000 MFD 35VDC LYTIC CAP C120, C121
2	70320112	10MFD 50V T&R C122, C123
1	70340011	.01MF—10%—50VDC—T/C—T&R C126
1	70320257	10000mf-20% 100vdc-el-rad C130
1	70320248	.01MF—20%—1000VDC—CD—T&A C132
2	70320257	10000mf-20% 100vdc-el-rad C134, C230
1	70320248	.01MF—20%—1000VDC—CD—T&A C232
1	70320257	10000mf-20% 100vdc-el-rad C234
1	70450579	SE-8731-D-YEL-25MM LDS REC - RIGHT ANGLE CR119
1	70450578	SE-8721-D-GN-25MM LDS REC - RIGHT ANGLE CR120
1	70464148	1N4148 75V 10MA SILICON DIODE CR121
4	70464003	1N4003 200V SILICON DIODE CR123, CR124, CR125, CR126
2	70430050	SZP30050 16V 1 WATT 5% ZENER DIODE T&R CR127, CR131
1	70402504	BR. RECT, 400V, 25A, WIRE LEADS CR142
1	70450579	SE-8731-D-YEL-25MM LDS REC - RIGHT ANGLE CR219
1	70402504	BR. RECT, 400V, 25A, WIRE LEADS CR242
4	70901183	FUSECLIP, PC MT - T&A FC1, FC2, FC3, FC4
6	73716194	.250 PC MNT SPADE .093 PCB J107, J108, J109, J110, J111, J112
1	XXXXXXXX	3 EACH OF STAKE PINS J120
13	73716194	.250 PC MNT SPADE .093 PCB J207, J208, J209, J210, J211, J212, J400, J401, J402, J403, J404, J405, J406
1	XXXXXXXX	5 EACH OF STAKED PINS P122
1	70464249	2N4249/690 30V TO-92 PNP T&A Q105
2	70240018	1.5K-1/4W-5%—CF—T&R R137, R139
2	70250040	150-5W-10%-WW-AXL R143, R144
1	70240031	47K-1/4W-5%—CF—T&R R145
2	70250050	4K-5W-10%-WW-AXL R166, R167
1	70240018	1.5K-1/4W-5%—CF—T&R R237
2	70250050	4K-5W-10%-WW-AXL R265, R267
9	70901856	SPCR, 1/4,R(#4),.187 SW,AL SO1, SO2, SO3, SO4, SO5, SO6, SO7, SO8, SO9
