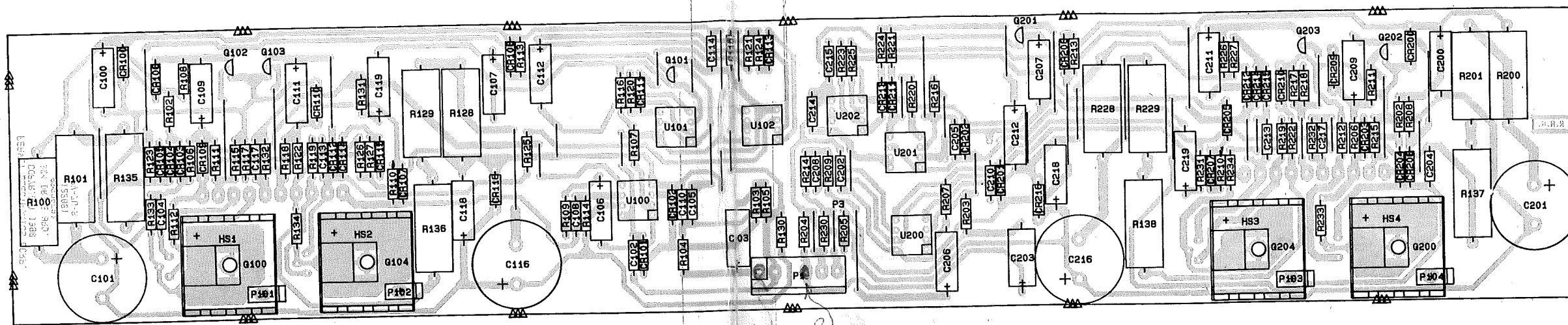


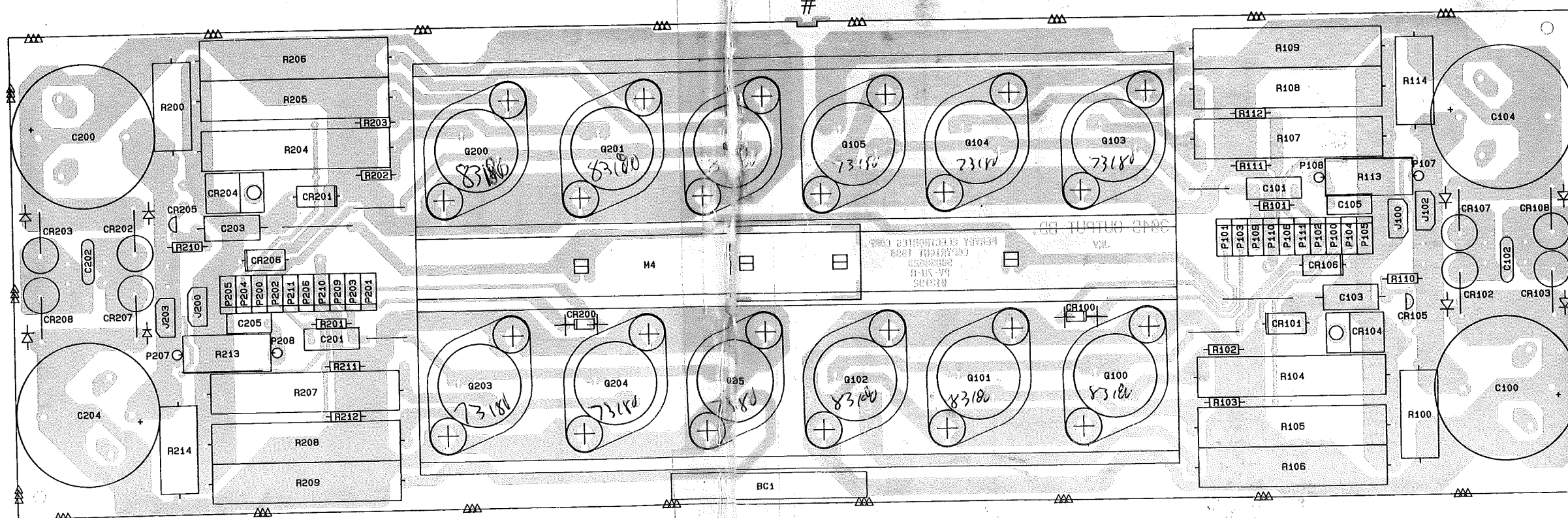
Thermal

70900173 v.c

70900200 v.o

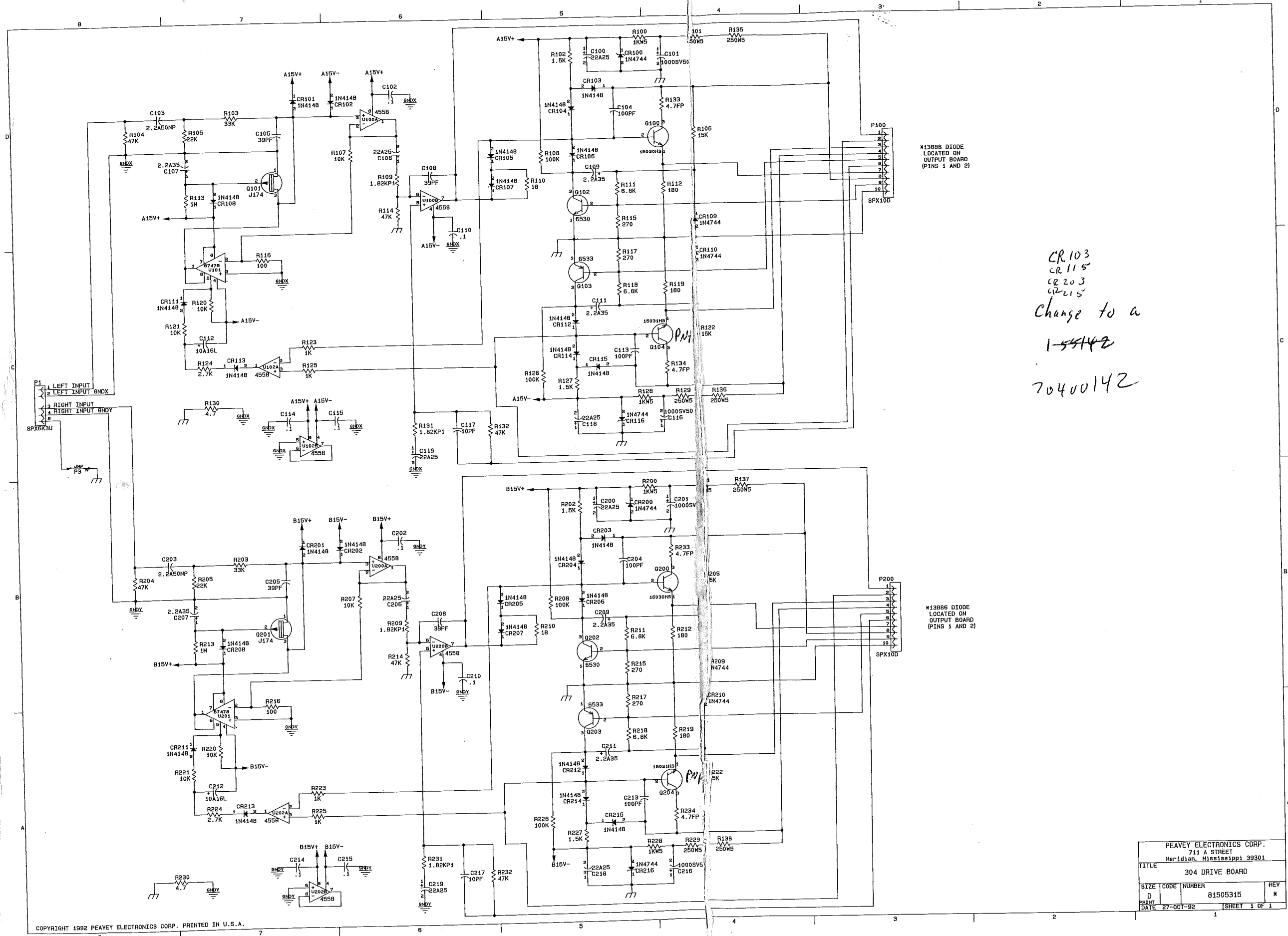


L  
R  
INPUT



00359660

3045



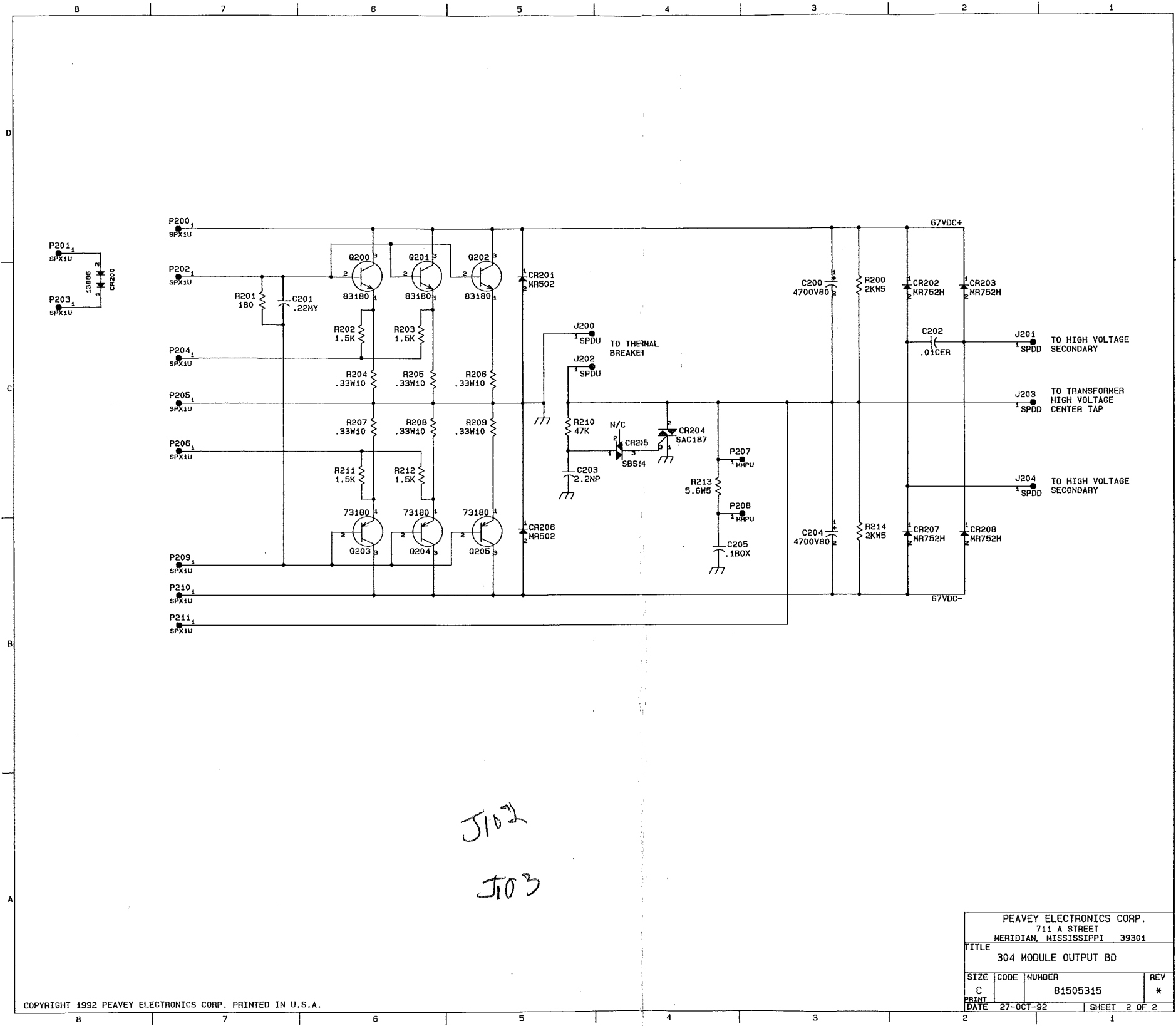
\*13886 DIODE  
LOCATED ON  
OUTPUT BOARD  
(PINS 1 AND 2)

CR103  
CR115  
CR203  
CR215  
Change to a  
1-55142  
70400142

\*13886 DIODE  
LOCATED ON  
OUTPUT BOARD  
(PINS 1 AND 2)

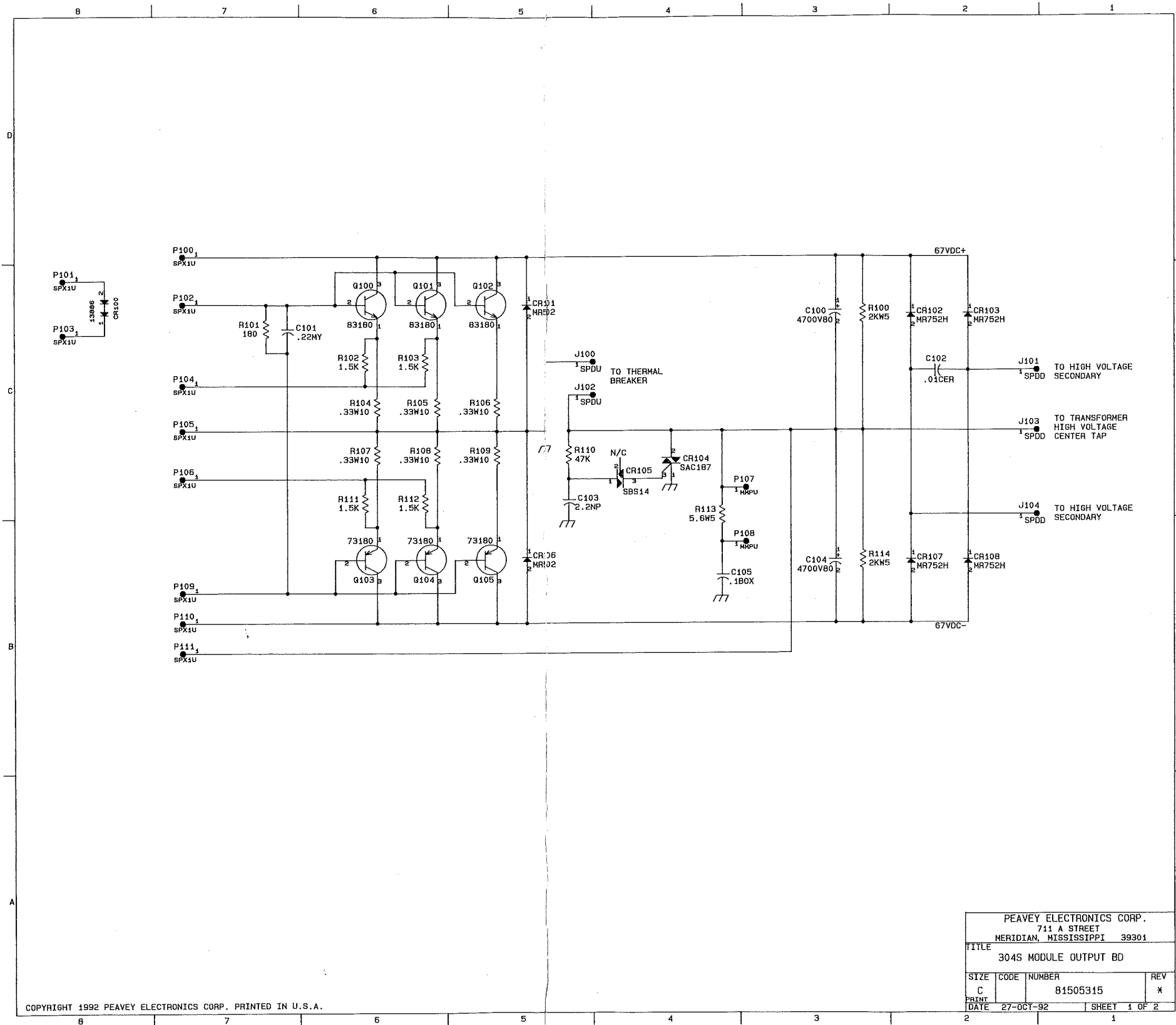
PEAVEY ELECTRONICS CORP. 711 A STREET Meridian, Mississippi 39301			
TITLE 304 DRIVE BOARD			
SIZE	CODE	NUMBER	REV
D		81505315	*
PRINT	DATE	27-OCT-92	SHEET 1 OF 1

12A  
Main fuse



COPYRIGHT 1992 PEAVEY ELECTRONICS CORP. PRINTED IN U.S.A.

PEAVEY ELECTRONICS CORP. 711 A STREET MERIDIAN, MISSISSIPPI 39301			
TITLE 304 MODULE OUTPUT BD			
SIZE	CODE	NUMBER	REV
C		81505315	*
PRINT	DATE	27-OCT-92	SHEET 2 OF 2

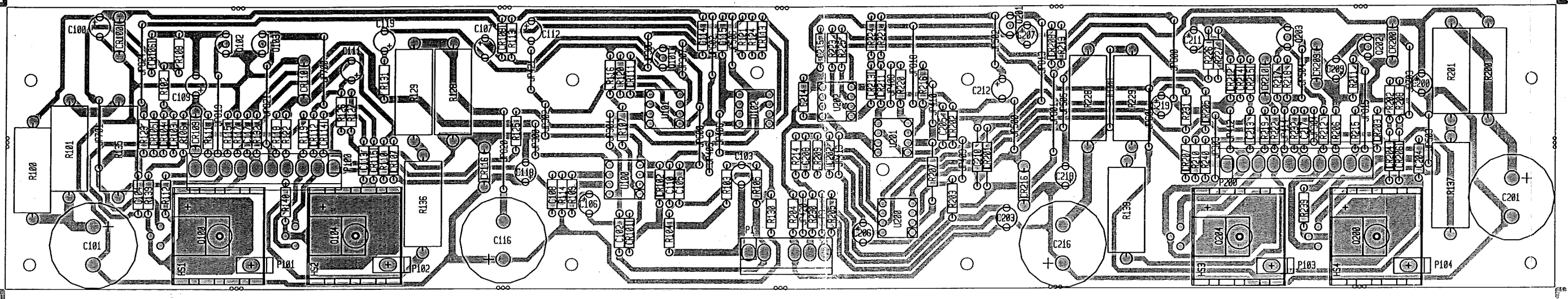


COPYRIGHT 1992 PEAVEY ELECTRONICS CORP. PRINTED IN U.S.A.

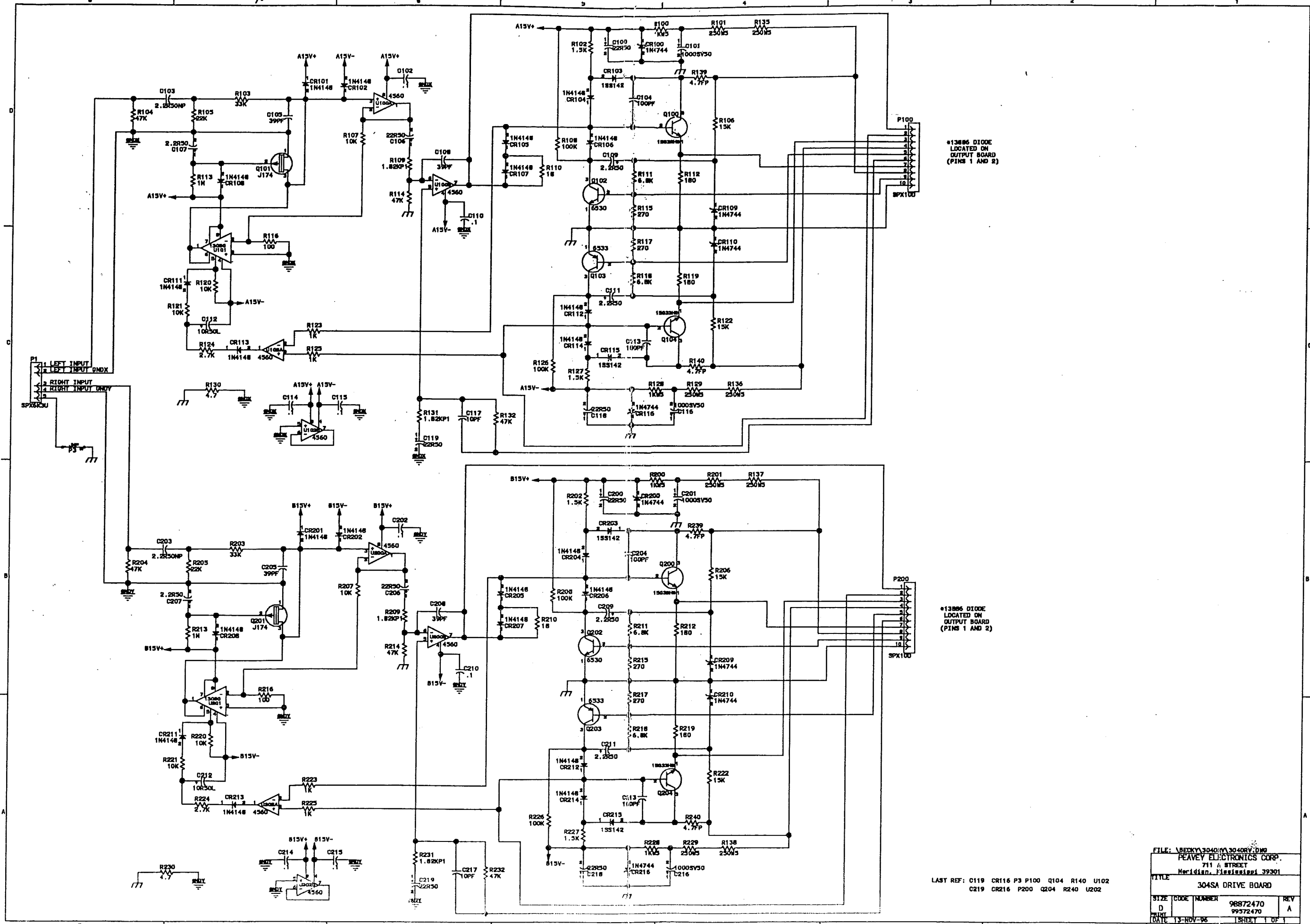
PEAVEY ELECTRONICS CORP.			
711 A STREET			
MERIDIAN, MISSISSIPPI 39301			
TITLE 304S MODULE OUTPUT BD			
SIZE	CODE	NUMBER	REV
C		81505315	*
DATE	27-OCT-92	SHEET	1 OF 2

304S

1/96 10 31: 59



304SA DRIVE

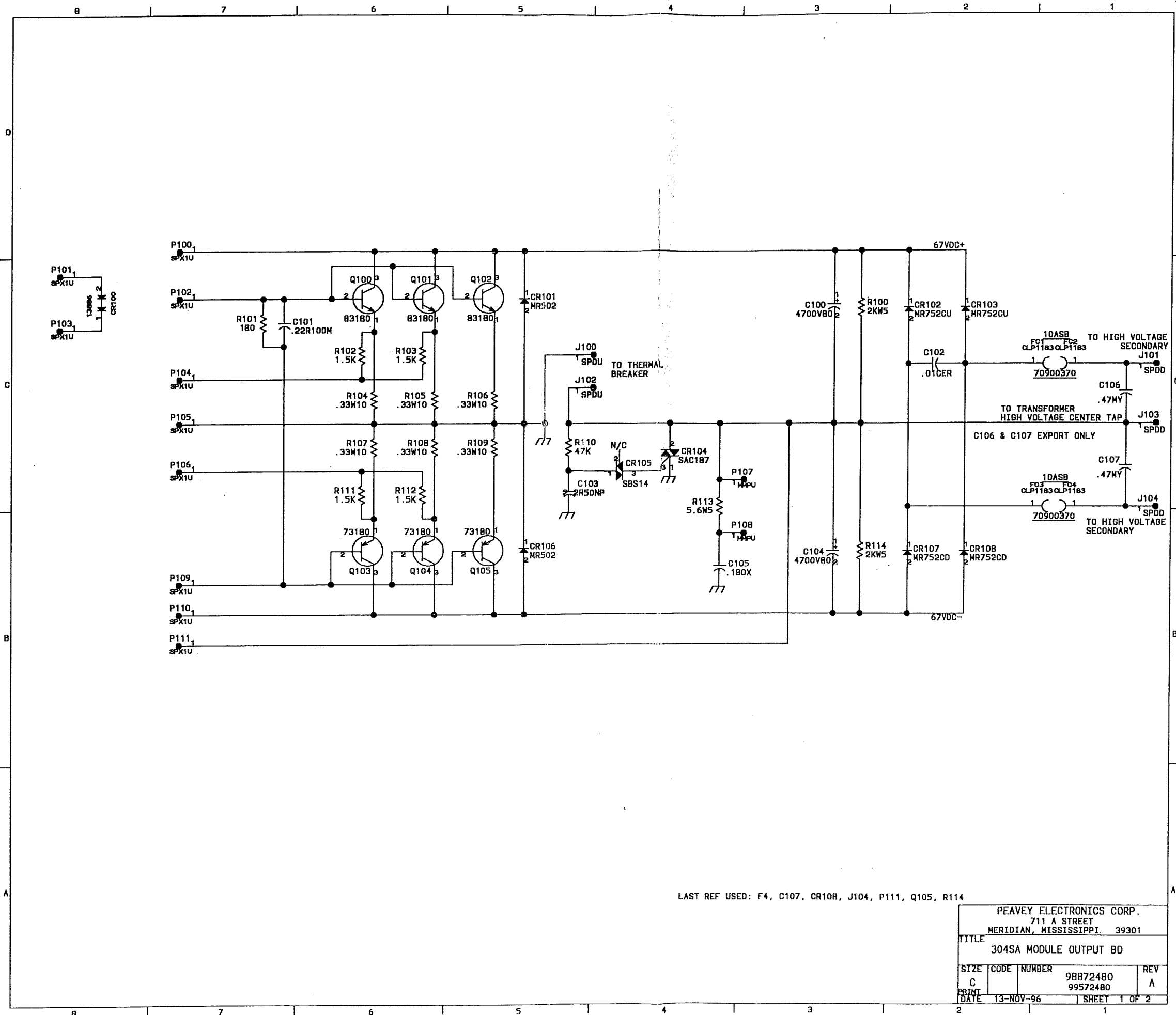


\*13886 DIODE  
LOCATED ON  
OUTPUT BOARD  
(PINS 1 AND 2)

\*13886 DIODE  
LOCATED ON  
OUTPUT BOARD  
(PINS 1 AND 2)

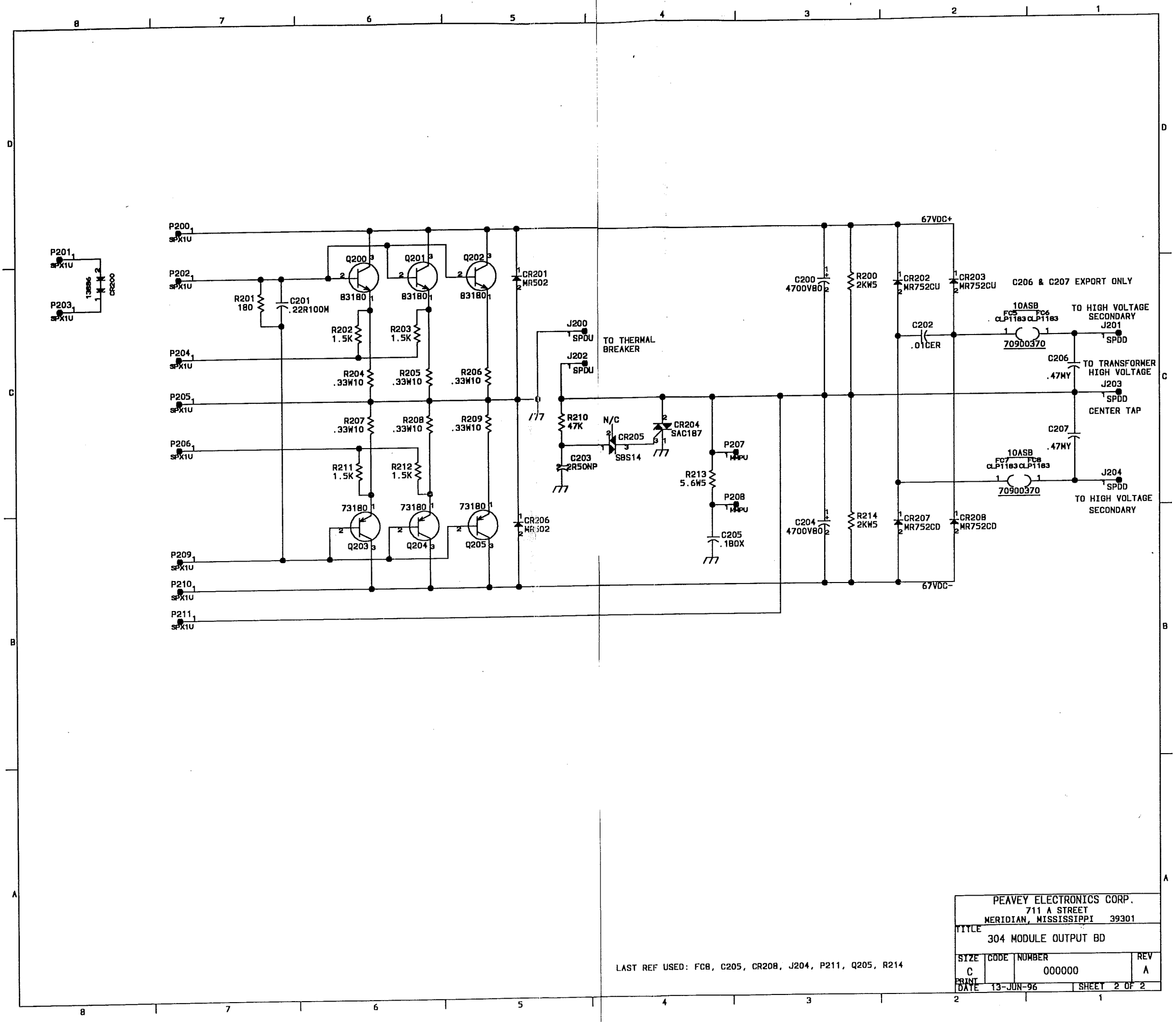
LAST REF: C119 CR116 P3 P100 Q104 R140 U102  
C219 CR216 P200 Q204 R240 U202

FILE: \BECKY\3040\3040DRV.DWG			
PEAVEY ELECTRONICS CORP.			
711 A STREET			
Meridian, Mississippi 39301			
TITLE			
304SA DRIVE BOARD			
SIZE	CODE	NUMBER	REV
D		98872470	A
DATE	13-NOV-96	99572470	
		ISLEY	1 OF 1



PEAVEY ELECTRONICS CORP.			
711 A STREET			
MERIDIAN, MISSISSIPPI 39301			
TITLE			
304SA MODULE OUTPUT BD			
SIZE	CODE	NUMBER	REV
C		98872480	A
PRINT		99572480	
DATE	13-NOV-96	SHEET	1 OF 2





LAST REF USED: FCB, C205, CR208, J204, P211, Q205, R214

PEAVEY ELECTRONICS CORP.			
711 A STREET			
MERIDIAN, MISSISSIPPI 39301			
TITLE			
304 MODULE OUTPUT BD			
SIZE	CODE	NUMBER	REV
C		000000	A
PRINT DATE	13-JUN-96		SHEET 2 OF 2



304S OUTPUT BD.

NAME	VALUE	NUMBER	DESCRIPTION
C100	4700V80	70320148	4700-20%-80VDC-EL-R/S
C101	.22MY	70330007	.22MFD 100VDC 5% MYLAR
C102	.01CER	70320099	.01MFD 1000VDC CD-UNCUT
C103	2.2NP	70320010	2.2 MFD 50V VDC N/PCAPT&R
C104	4700V80	70320148	4700-20%-80VDC-EL-R/S
C105	.1BOX	70320086	.1 MFD-100VDC-10%
C200	4700V80	70320148	4700-20%-80VDC-EL-R/S
C201	.22MY	70330007	.22MFD 100VDC 5% MYLAR
C202	.01CER	70320099	.01MFD 1000VDC CD-UNCUT
C203	2.2NP	70320010	2.2 MFD 50V VDC N/PCAPT&R
C204	4700V80	70320148	4700-20%-80VDC-EL-R/S
C205	.1BOX	70320086	.1 MFD-100VDC-10%
CR100	13886	70413886	S2-13886-2 DUAL DIODE SEL
CR101	MR502	70400502	MR502/1N5402 200V 3A SLD
CR102	MR752H	70400752	MR-752/P600D 200V,6A SLD
CR103	MR752H	70400752	MR-752/P600D 200V,6A SLD
CR104	SAC187	70400187	SAC 187 200V TO 220 TRI
CR105	SBS14	70400014	SBS14 8V TO-92 BI-DIR SW
CR106	MR502	70400502	MR502/1N5402 200V 3A SLD
CR107	MR752H	70400752	MR-752/P600D 200V,6A SLD
CR108	MR752H	70400752	MR-752/P600D 200V,6A SLD
CR200	13886	70413886	S2-13886-2 DUAL DIODE SEL
CR201	MR502	70400502	MR502/1N5402 200V 3A SLD
CR202	MR752H	70400752	MR-752/P600D 200V,6A SLD
CR203	MR752H	70400752	MR-752/P600D 200V,6A SLD
CR204	SAC187	70400187	SAC 187 200V TO 220 TRI
CR205	SBS14	70400014	SBS14 8V TO-92 BI-DIR SW
CR206	MR502	70400502	MR502/1N5402 200V 3A SLD
CR207	MR752H	70400752	MR-752/P600D 200V,6A SLD
CR208	MR752H	70400752	MR-752/P600D 200V,6A SLD
Q100	83180	70483180	SJ-83180 NPN 3A 180V TO-3
Q101	83180	70483180	SJ-83180 NPN 3A 180V TO-3
Q102	83180	70483180	SJ-83180 NPN 3A 180V TO-3
Q103	73180	70473180	SJ-73180 PNP 3A 180V TO-3
Q104	73180	70473180	SJ-73180 PNP 3A 180V TO-3
Q105	73180	70473180	SJ-73180 PNP 3A 180V TO-3
Q200	83180	70483180	SJ-83180 NPN 3A 180V TO-3
Q201	83180	70483180	SJ-83180 NPN 3A 180V TO-3
Q202	83180	70483180	SJ-83180 NPN 3A 180V TO-3
Q203	73180	70473180	SJ-73180 PNP 3A 180V TO-3
Q204	73180	70473180	SJ-73180 PNP 3A 180V TO-3
Q205	73180	70473180	SJ-73180 PNP 3A 180V TO-3
R100	2KW5	70250063	2K-5W-10%-WW-AXL
R101	180	70240012	180-1/4W-5%-CF-T&R
R102	1.5K	70240018	1500-1/4W-5%-CF-T&R
R103	1.5K	70240018	1500-1/4W-5%-CF-T&R
R104	.33W10	70250011	.33-10W-10%-WW-AXL
R105	.33W10	70250011	.33-10W-10%-WW-AXL
R106	.33W10	70250011	.33-10W-10%-WW-AXL
R107	.33W10	70250011	.33-10W-10%-WW-AXL
R108	.33W10	70250011	.33-10W-10%-WW-AXL
R109	.33W10	70250011	.33-10W-10%-WW-AXL
R110	47K	70240031	47K-1/4W-5%-CF-T&R
R111	1.5K	70240018	1500-1/4W-5%-CF-T&R
R112	1.5K	70240018	1500-1/4W-5%-CF-T&R
R113	5.6W5	70250026	5.6-5W-10%-WW-AXL
R114	2KW5	70250063	2K-5W-10%-WW-AXL
R200	2KW5	70250063	2K-5W-10%-WW-AXL
R201	180	70240012	180-1/4W-5%-CF-T&R
R202	1.5K	70240018	1500-1/4W-5%-CF-T&R
R203	1.5K	70240018	1500-1/4W-5%-CF-T&R
R204	.33W10	70250011	.33-10W-10%-WW-AXL
R205	.33W10	70250011	.33-10W-10%-WW-AXL
R206	.33W10	70250011	.33-10W-10%-WW-AXL
R207	.33W10	70250011	.33-10W-10%-WW-AXL
R208	.33W10	70250011	.33-10W-10%-WW-AXL
R209	.33W10	70250011	.33-10W-10%-WW-AXL
R210	47K	70240031	47K-1/4W-5%-CF-T&R
R211	1.5K	70240018	1500-1/4W-5%-CF-T&R
R212	1.5K	70240018	1500-1/4W-5%-CF-T&R
R213	5.6W5	70250026	5.6-5W-10%-WW-AXL
R214	2KW5	70250063	2K-5W-10%-WW-AXL

304S JACK BD.

NAME	VALUE	NUMBER	DESCRIPTION
J3	HIDMNI	71466032	11J1258 2TP HDJCK NINS PC
J4	HIDMNI	71466032	11J1258 2TP HDJCK NINS PC
L1	.8MH	70519917	.8UH AIR CORE COIL/CS1200
R1	5.6W5	70250026	5.6-5W-10%-WW-AXL

304S DRIVE BD.

NAME	VALUE	NUMBER	DESCRIPTION
C100	22A25	70320012	22 MFD 25VDC LYT. CAP. T&R
C101	1000SV50	70320147	1000 MF 80/20% 50V EL R/S
C102	.1	70340100	.1 MFD +80-20LV AX.LP.T&R
C103	2.2A50NP	2.2MFD 20% 50VNP EL T&R	
C104	100PF	70340054	100PF 10% 50V TUB CER T&R
C105	39PF	70340052	39PF 50V TUB CER T&R
C106	22A25	70320012	22 MFD 25VDC LYT. CAP. T&R
C107	2.2A35	70320200	2.2MFD 35VDC LY.CAP T&R
C108	39PF	70340052	39PF 50V TUB CER T&R
C109	2.2A35	70320200	2.2MFD 35VDC LY.CAP T&R
C110	.1	70340100	.1 MFD +80-20LV AX.LP.T&R
C111	2.2A35	70320200	2.2MFD 35VDC LY.CAP T&R
C112	10A16L	70320198	10 MFD LOW LEAKAGE C.T&R
C113	100PF	70340054	100PF 10% 50V TUB CER T&R
C114	.1	70340100	.1 MFD +80-20LV AX.LP.T&R
C115	.1	70340100	.1 MFD +80-20LV AX.LP.T&R
C116	1000SV50	70320147	1000 MF 80/20% 50V EL R/S
C117	10PF	70340050	10 PF 5% TUB.CER.T&R
C118	22A25	70320012	22 MFD 25VDC LYT. CAP. T&R
C119	22A25	70320012	22 MFD 25VDC LYT. CAP. T&R
C200	22A25	70320012	22 MFD 25VDC LYT. CAP. T&R
C201	1000SV50	70320147	1000 MF 80/20% 50V EL R/S
C202	.1	70340100	.1 MFD +80-20LV AX.LP.T&R
C203	2.2A50NP	70320010	2.2MFD 20% 50VNP EL T&R
C204	100PF	70340054	100PF 10% 50V TUB CER T&R
C205	39PF	70340052	39PF 50V TUB CER T&R
C206	22A25	70320012	22 MFD 25VDC LYT. CAP. T&R
C207	2.2A35	70320200	2.2MFD 35VDC LY.CAP T&R
C208	39PF	70340052	39PF 50V TUB CER T&R
C209	2.2A35	70320200	2.2MFD 35VDC LY.CAP T&R
C210	.1	70340100	.1 MFD +80-20LV AX.LP.T&R
C211	2.2A35	70320200	2.2MFD 35VDC LY.CAP T&R
C212	10A16L	70320198	10 MFD LOW LEAKAGE C.T&R
C213	100PF	70340054	100PF 10% 50V TUB CER T&R
C214	.1	70340100	.1 MFD +80-20LV AX.LP.T&R
C215	.1	70340100	.1 MFD +80-20LV AX.LP.T&R
C216	1000SV50	70320147	1000 MF 80/20% 50V EL R/S
C217	10PF	70340050	10 PF 5% TUB.CER.T&R
C218	22A25	70320012	22 MFD 25VDC LYT. CAP. T&R
C219	22A25	70320012	22 MFD 25VDC LYT. CAP. T&R
CR100	1N4744	70440102	SZG40102 15V 5% ZENER DIO
CR101	1N4148	70464148	1N4148 75V 10MA SILICON DIODE
CR102	1N4148	70464148	1N4148 75V 10MA SILICON DIODE
CR103	1N4148	70464148	1N4148 75V 10MA SILICON DIODE
CR104	1N4148	70464148	1N4148 75V 10MA SILICON DIODE
CR105	1N4148	70464148	1N4148 75V 10MA SILICON DIODE
CR106	1N4148	70464148	1N4148 75V 10MA SILICON DIODE
CR107	1N4148	70464148	1N4148 75V 10MA SILICON DIODE
CR108	1N4148	70464148	1N4148 75V 10MA SILICON DIODE
CR109	1N4744	70440102	SZG40102 15V 5% ZENER DIO
CR110	1N4744	70440102	SZG40102 15V 5% ZENER DIO
CR111	1N4148	70464148	1N4148 75V 10MA SILICON DIODE
CR112	1N4148	70464148	1N4148 75V 10MA SILICON DIODE
CR113	1N4148	70464148	1N4148 75V 10MA SILICON DIODE
CR114	1N4148	70464148	1N4148 75V 10MA SILICON DIODE
CR115	1N4148	70464148	1N4148 75V 10MA SILICON DIODE
CR116	1N4744	70440102	SZG40102 15V 5% ZENER DIO
CR200	1N4744	70440102	SZG40102 15V 5% ZENER DIO
CR201	1N4148	70464148	1N4148 75V 10MA SILICON DIODE
CR202	1N4148	70464148	1N4148 75V 10MA SILICON DIODE
CR203	1N4148	70464148	1N4148 75V 10MA SILICON DIODE
CR204	1N4148	70464148	1N4148 75V 10MA SILICON DIODE
CR205	1N4148	70464148	1N4148 75V 10MA SILICON DIODE
CR206	1N4148	70464148	1N4148 75V 10MA SILICON DIODE
CR207	1N4148	70464148	1N4148 75V 10MA SILICON DIODE
CR208	1N4148	70464148	1N4148 75V 10MA SILICON DIODE
CR209	1N4744	70440102	SZG40102 15V 5% ZENER DIO
CR210	1N4744	70440102	SZG40102 15V 5% ZENER DIO
CR211	1N4148	70464148	1N4148 75V 10MA SILICON DIODE
CR212	1N4148	70464148	1N4148 75V 10MA SILICON DIODE
CR213	1N4148	70464148	1N4148 75V 10MA SILICON DIODE
CR214	1N4148	70464148	1N4148 75V 10MA SILICON DIODE
CR215	1N4148	70464148	1N4148 75V 10MA SILICON DIODE
CR216	1N4744	70440102	SZG40102 15V 5% ZENER DIO
Q100	15030HS	70415030	T'SISTOR,DRV,NPN,TO220MJE
Q101	J174	70400174	J174 30V TO 90 P CHAN FET
Q102	6530	70406530	MPS-6530/31 TO-92 NPN TRANS
Q103	6533	70406533	MPS-6533/34 TO-92 PNP TRANS
Q104	15031HS	70415031	T'SISTOR,DRV,P,PNP,TO220MJE
Q200	15030HS	70415030	T'SISTOR,DRV,NPN,TO220MJE
Q201	J174	70400174	J174 30V TO 90 P CHAN FET
Q202	6530	70406530	MPS-6530/31 TO-92 NPN TRANS
Q203	6533	70406533	MPS-6533/34 TO-92 PNP TRANS
Q204	15031HS	70415031	T'SISTOR,DRV,P,PNP,TO220MJE
R100	1KW5	70250060	1K-5W-10%-WW-AXL
R101	250W5	70250005	250-5W-10%-WW-AXL
R102	1.5K	70240018	1500-1/4W-5%-CF-T&R
R103	1.5K	70240018	1500-1/4W-5%-CF-T&R
R104	1.5K	70240018	1500-1/4W-5%-CF-T&R
R105	22K	70240029	22K-1/4W-5%-CF-T&R
R106	15K	70240027	15K-1/4W-5%-CF-T&R
R107	10K	70240025	10K-1/4W-5%-CF-T&R
R108	100K	70240034	100K-1/4W-5%-CF-T&R
R109	1.82KP1	70241078	1.82K-1/4W-1%-CF-T&R
R110	18	70240006	18-1/4W-5%-CF-T&R
R111	6.8K	70240024	6800-1/4W-5%-CF-T&R
R112	180	70240012	180-1/4W-5%-CF-T&R
R113	1M	70240039	1M-1/4W-5%-CF-T&R
R114	47K	70240031	47K-1/4W-5%-CF-T&R
R115	270	70240013	270-1/4W-5%-CF-T&R
R116	100	70240010	100-1/4W-5%-CF-T&R
R117	270	70240013	270-1/4W-5%-CF-T&R
R118	6.8K	70240024	6800-1/4W-5%-CF-T&R
R119	180	70240012	180-1/4W-5%-CF-T&R
R120	10K	70240025	10K-1/4W-5%-CF-T&R
R121	10K	70240025	10K-1/4W-5%-CF-T&R
R122	15K	70240027	15K-1/4W-5%-CF-T&R
R123	1K	70240017	1K-1/4W-5%-CF-T&R
R124	2.7K	70240021	2700-1/4W-5%-CF-T&R
R125	1K	70240017	1K-1/4W-5%-CF-T&R
R126	100K	70240034	100K-1/4W-5%-CF-T&R
R127	1.5K	70240018	1500-1/4W-5%-CF-T&R
R128	1KW5	70250060	1K-5W-10%-WW-AXL
R129	250W5	70250005	250-5W-10%-WW-AXL
R130	4.7	70240002	4.7-1/4W-5%-CF-T&R
R131	1.82KP1	70241078	1.82K-1/4W-1%-CF-T&R
R132	47K	70240031	47K-1/4W-5%-CF-T&R
R133	4.7FP	70240094	4.7FP-1/4W-10%-FP-T&R
R134	4.7FP	70240094	4.7FP-1/4W-10%-FP-T&R
R135	250W5	70250005	250-5W-10%-WW-AXL
R136	250W5	70250005	250-5W-10%-WW-AXL
R137	250W5	70250005	250-5W-10%-WW-AXL
R138	250W5	70250005	250-5W-10%-WW-AXL
R200	1KW5	70250060	1K-5W-10%-WW-AXL
R201	250W5	70250005	250-5W-10%-WW-AXL
R202	1.5K	70240018	1500-1/4W-5%-CF-T&R
R203	33K	70240030	33K-1/4W-5%-CF-T&R
R204	47K	70240031	47K-1/4W-5%-CF-T&R
R205	22K	70240029	22K-1/4W-5%-CF-T&R
R206	15K	70240027	15K-1/4W-5%-CF-T&R
R207	10K	70240025	10K-1/4W-5%-CF-T&R
R208	100K	70240034	100K-1/4W-5%-CF-T&R
R209	1.82KP1	70241078	1.82K-1/4W-1%-CF-T&R