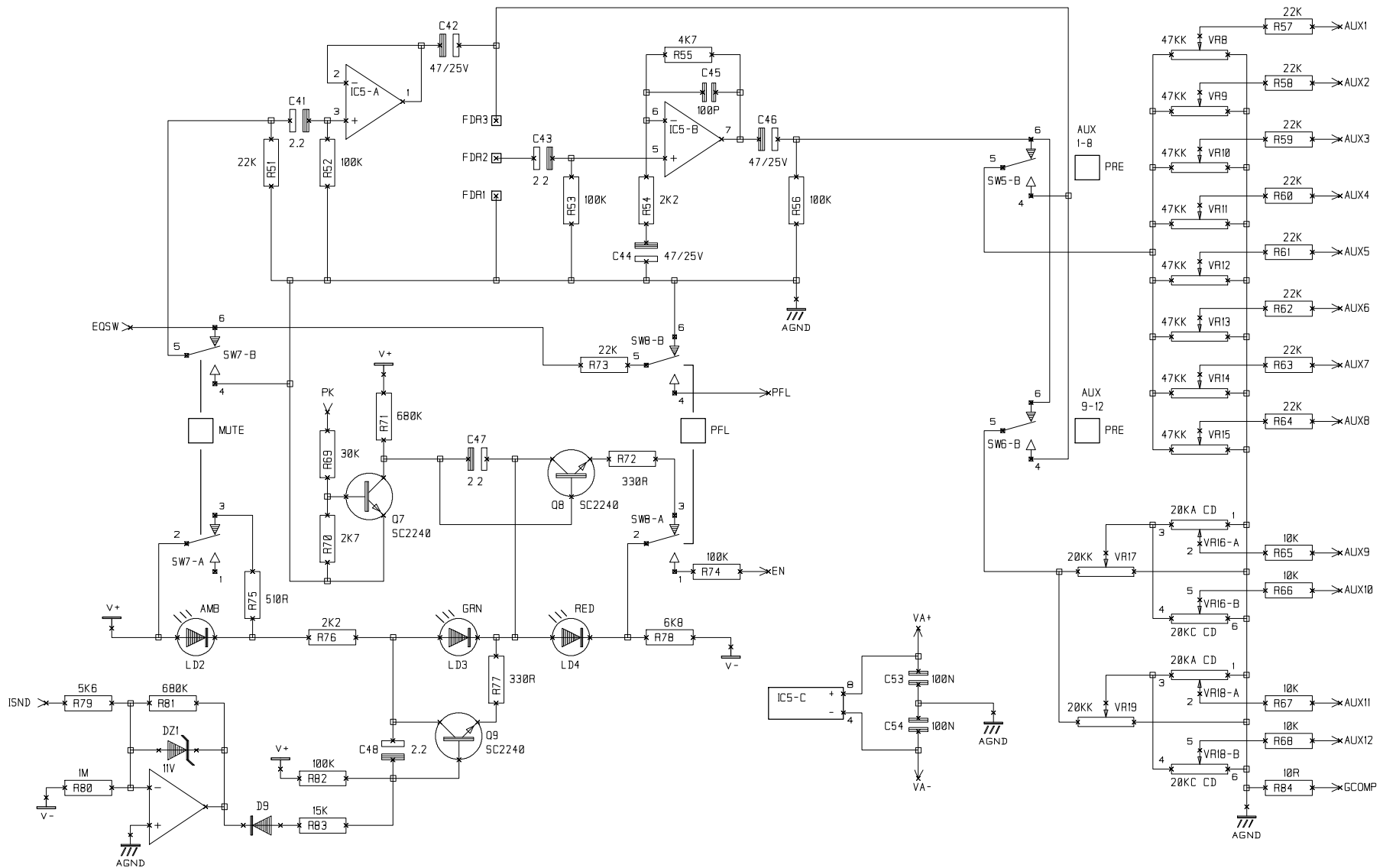


NOTES

DRN	GHB	TITLE	SPIRIT MONITOR 2 INPUT
		DRG NO	ED 3831A



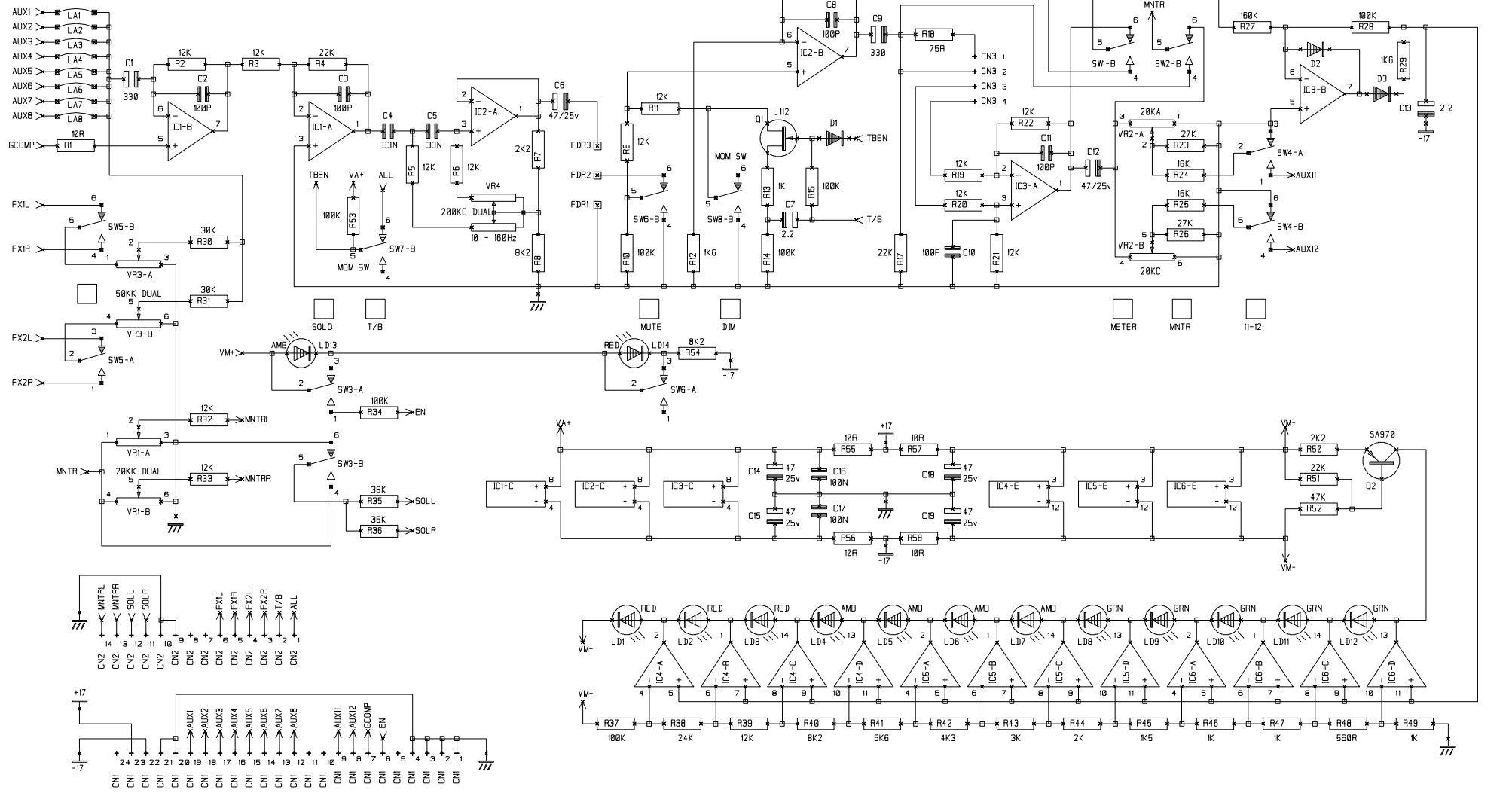
NOTES

DRN.

TITLE
 SPIRIT
 MONITOR 2 INPUT

DRG NO. ED3831B

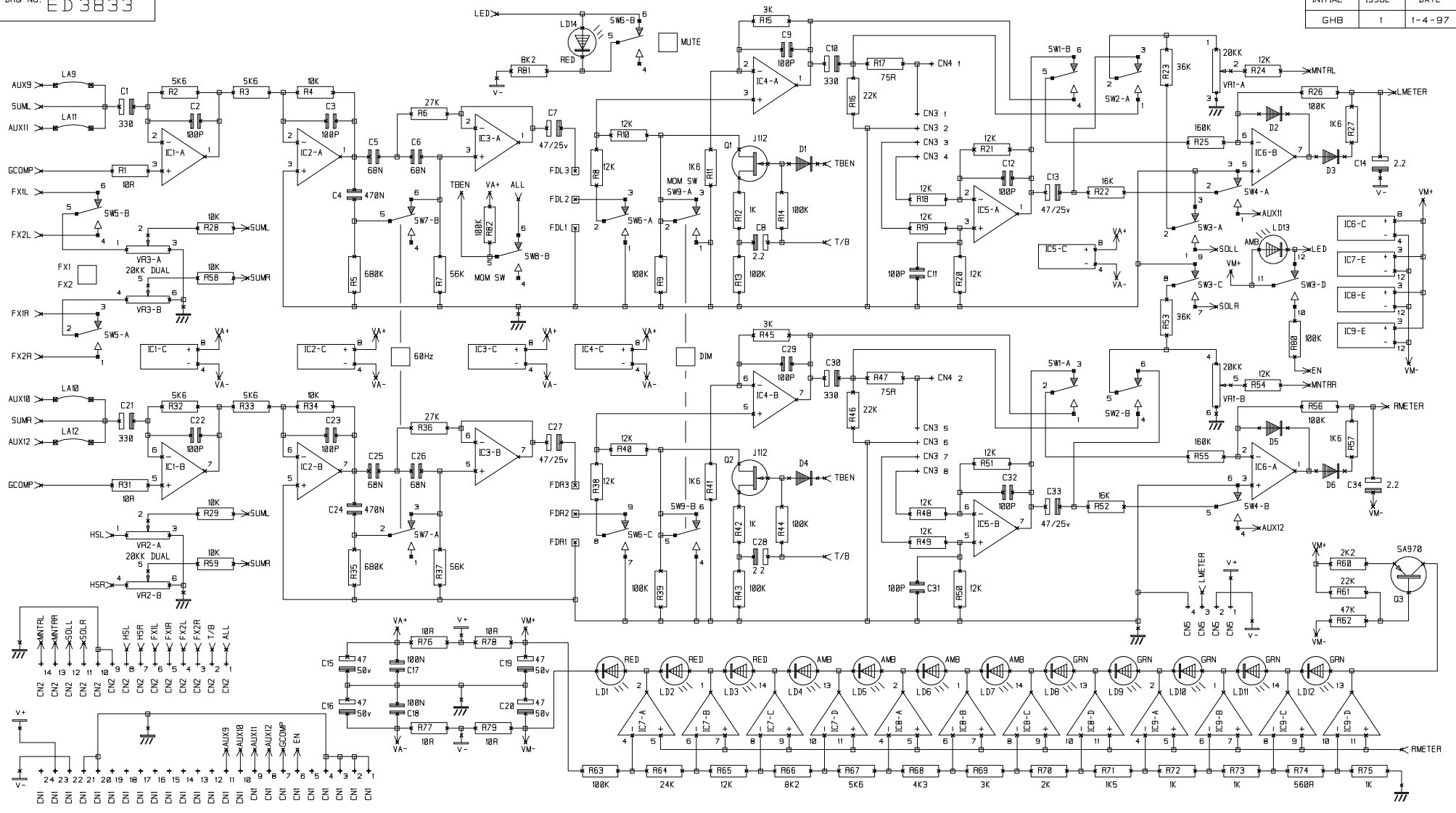
SHT. 2 OF 2



NOTES	DRN. GHB	TITLE SPIRIT MONITOR 2 MONO OUTPUT
		DRG NO. ED 3832

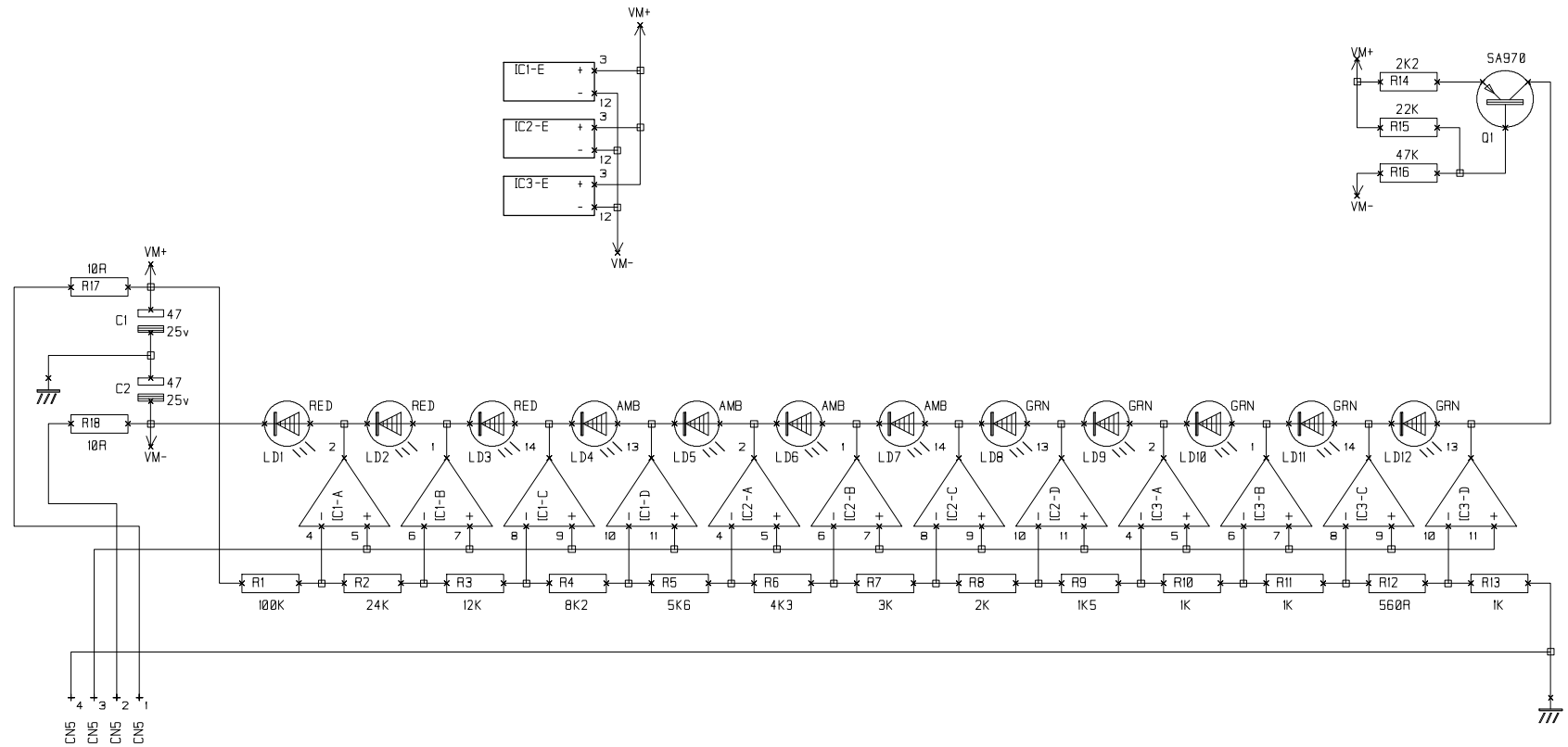
DRG NO. ED 3833

INITIAL	ISSUE	DATE
GHB	1	1-4-97



NOTES

DRN. GHB	TITLE
	SPIRIT MONITOR 2 STEREO OUTPUT
	DRG NO. ED 3833



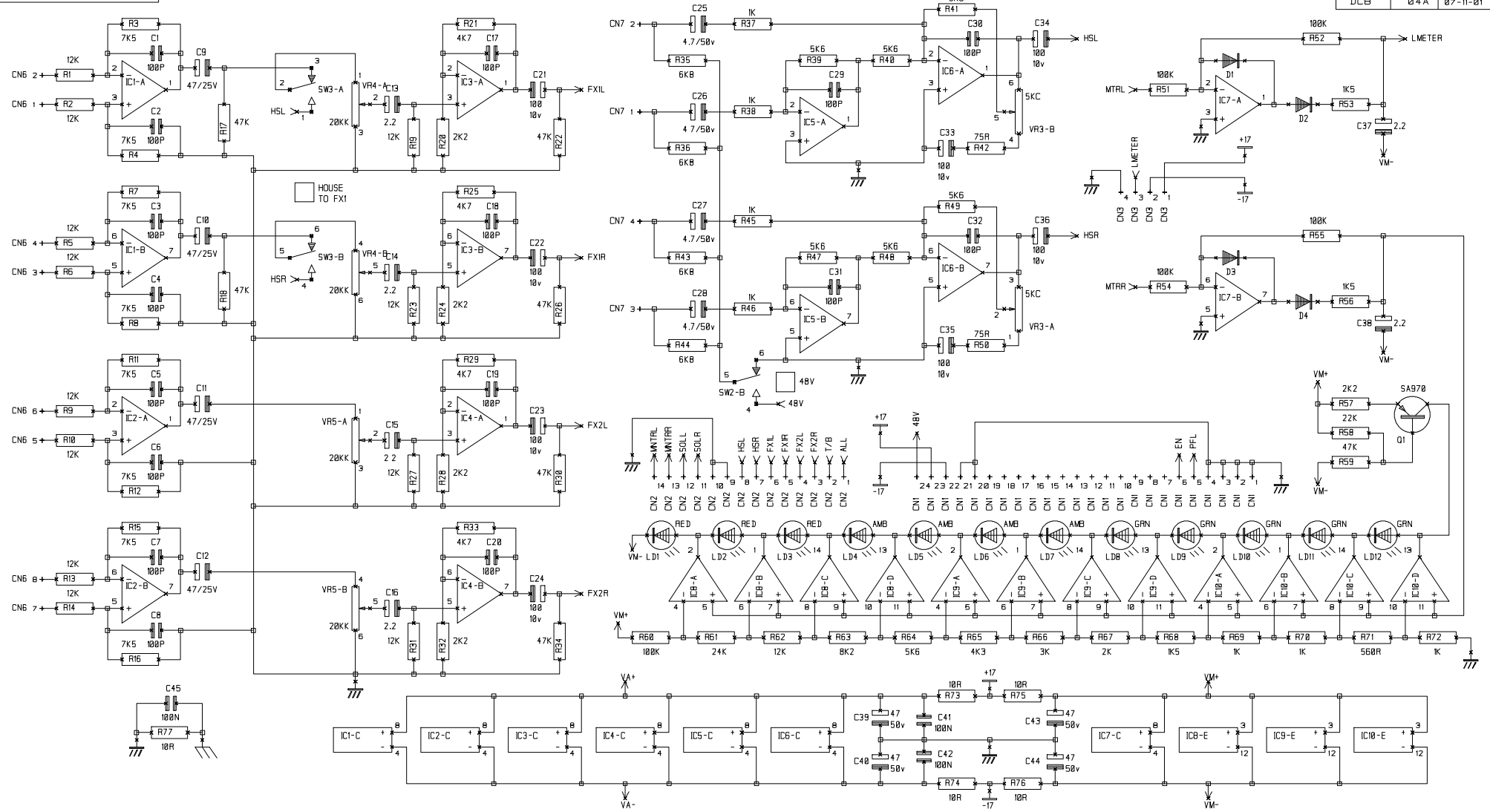
NOTES

DRN.
GHB

TITLE
SPIRIT MONITOR 12
LEFT HAND METER

DRG NO. ED 3834

SHT. 1 OF 1

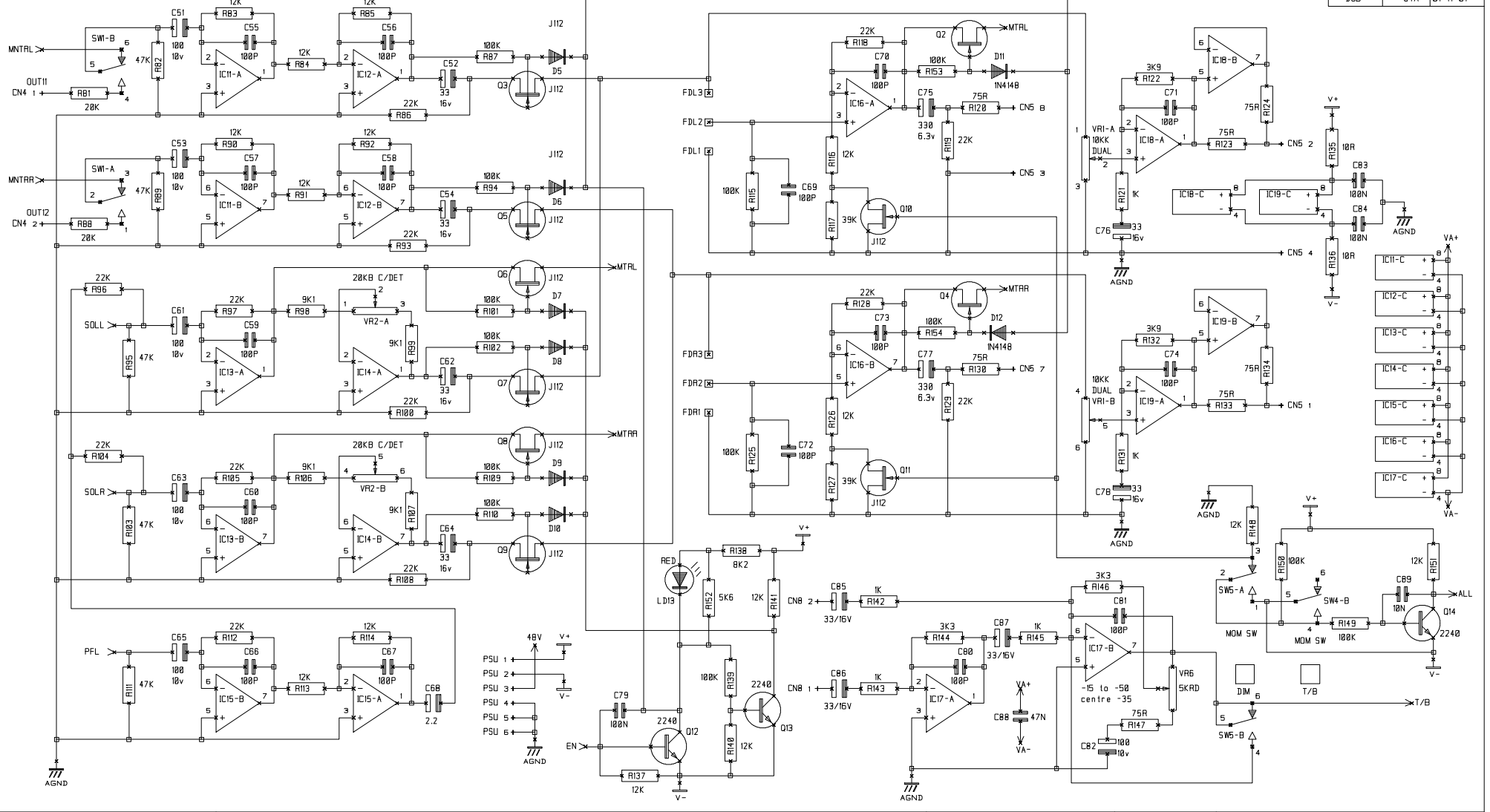


NOTES R42.50 (150R) NOW 75R

DRN	GHB	TITLE
		SPRIT MONITOR 2 MASTER
		DRG NO. ED 3835A

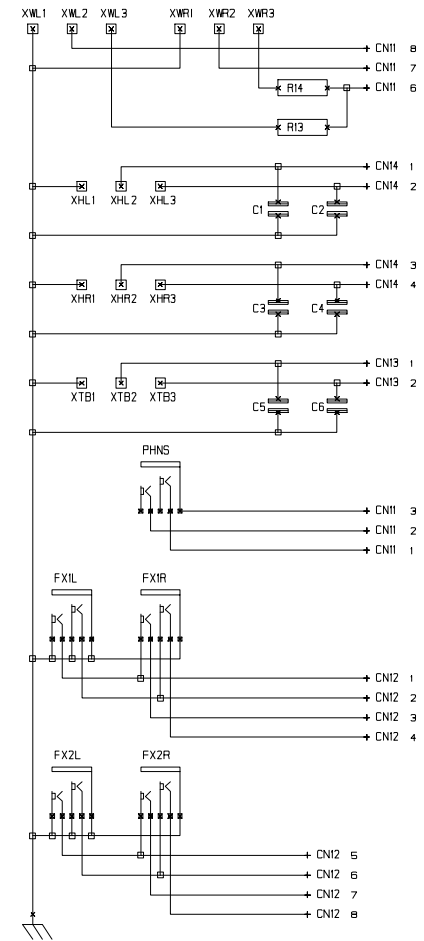
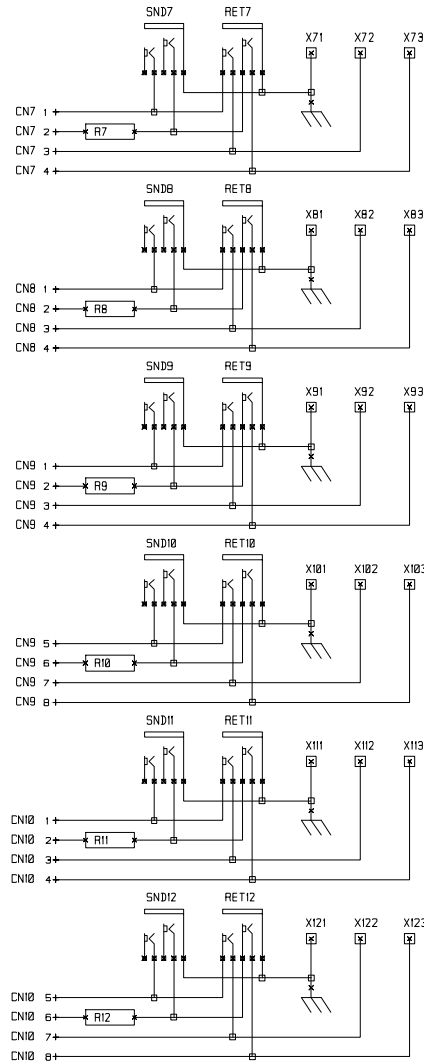
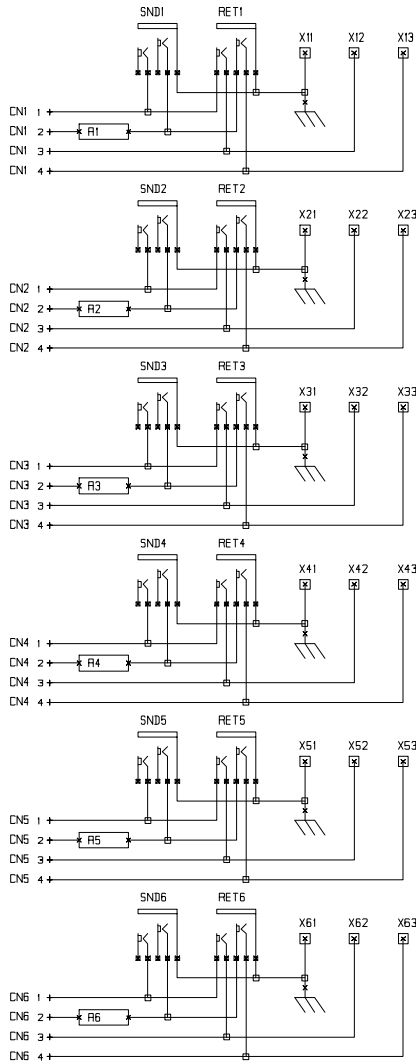
DRG NO. ED 3835B

INITIAL	ISSUE	DATE
DCB	04A	01-11-01



NOTES

DRN	GHB	TITLE	SPRIT MONITOR 2 MASTER
		DRG NO.	ED 3835B



ALL RESISTORS ARE 75R
ALL CAPACITORS ARE 680P

NOTES

DRN. GHB TITLE SPIRIT MONITOR 12
OUTPUT REAR CON

DRG NO. ED 3836