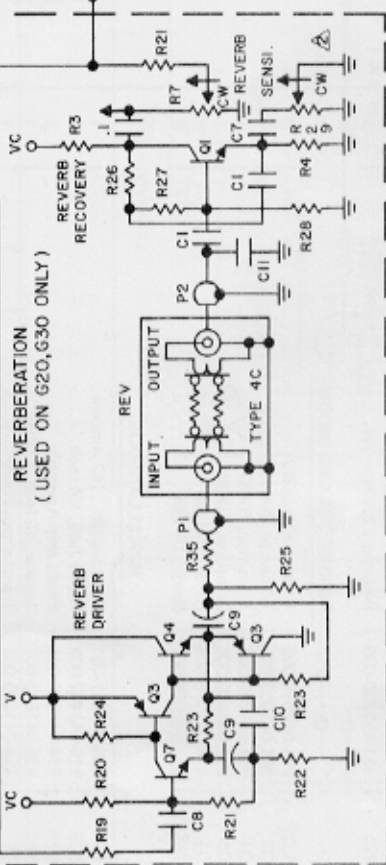
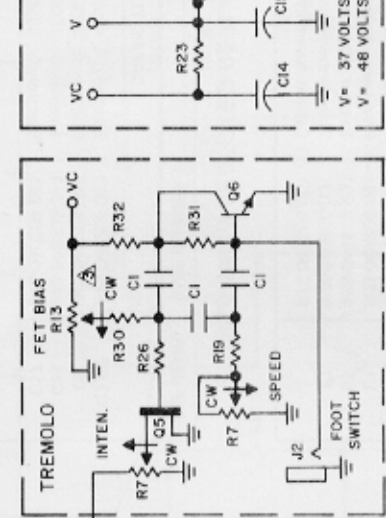
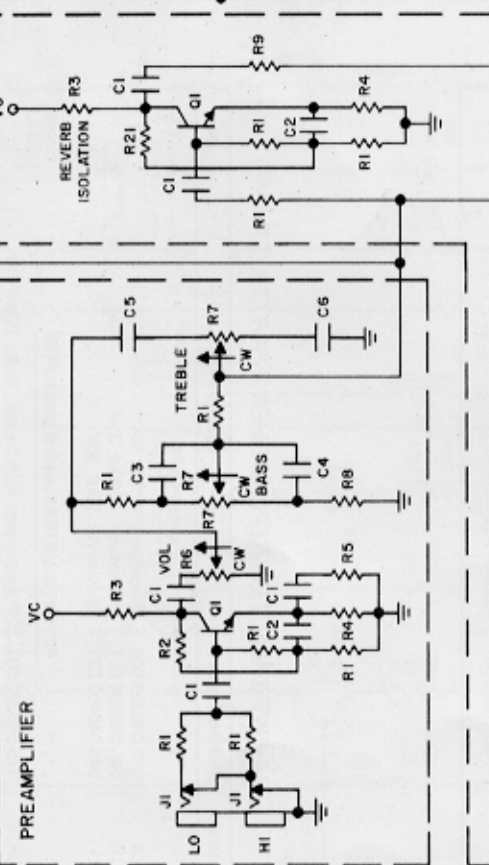
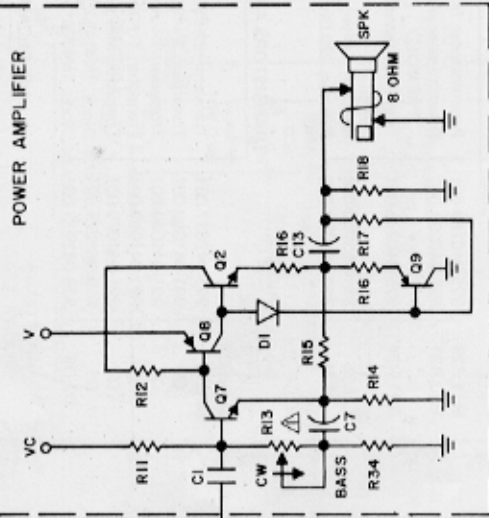
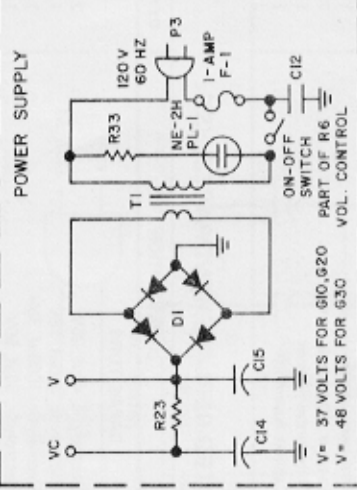


BASING DIAGRAMS
BOTTOM VIEWS



NOTES:
 ⚠️ ADJUST FOR 50% V AT + SIDE OF C13 FOR SYMMETRICAL CLIPPING.
 ⚠️ ADJUST FOR MAXIMUM REVERB EFFECT WITHOUT FEEDBACK OR EXCESSIVE HUM AND NOISE.
 ⚠️ ADJUST FOR 10B DROP WITH INTENSITY CONTROL FULLY CLOCKWISE. ADJUSTMENT MADE 10DB BELOW CLIPPING AT 1KC. TREMOLO OFF AT FOOT SWITCH.



G30
 Q7-MPSA09
 Q8-BC161
 Q9-2N2148

G20
 Q7-T1S98
 Q8-BC160
 Q9-2N2147

G10
 Q7-T1S98
 Q8-BC160
 Q9-2N2147

G10, G20, G30
 Q1-T1S98
 Q2-2N3055
 Q3-MPSA05
 Q4-MPSA05
 Q5-MPF161
 Q6-BC109

NOTES:
 UNLESS OTHERWISE SPECIFIED:
 ALL RESISTOR VALUES ARE IN OHMS, ±5%, 1/2W.
 ALL CAPACITOR VALUES ARE IN MFD.