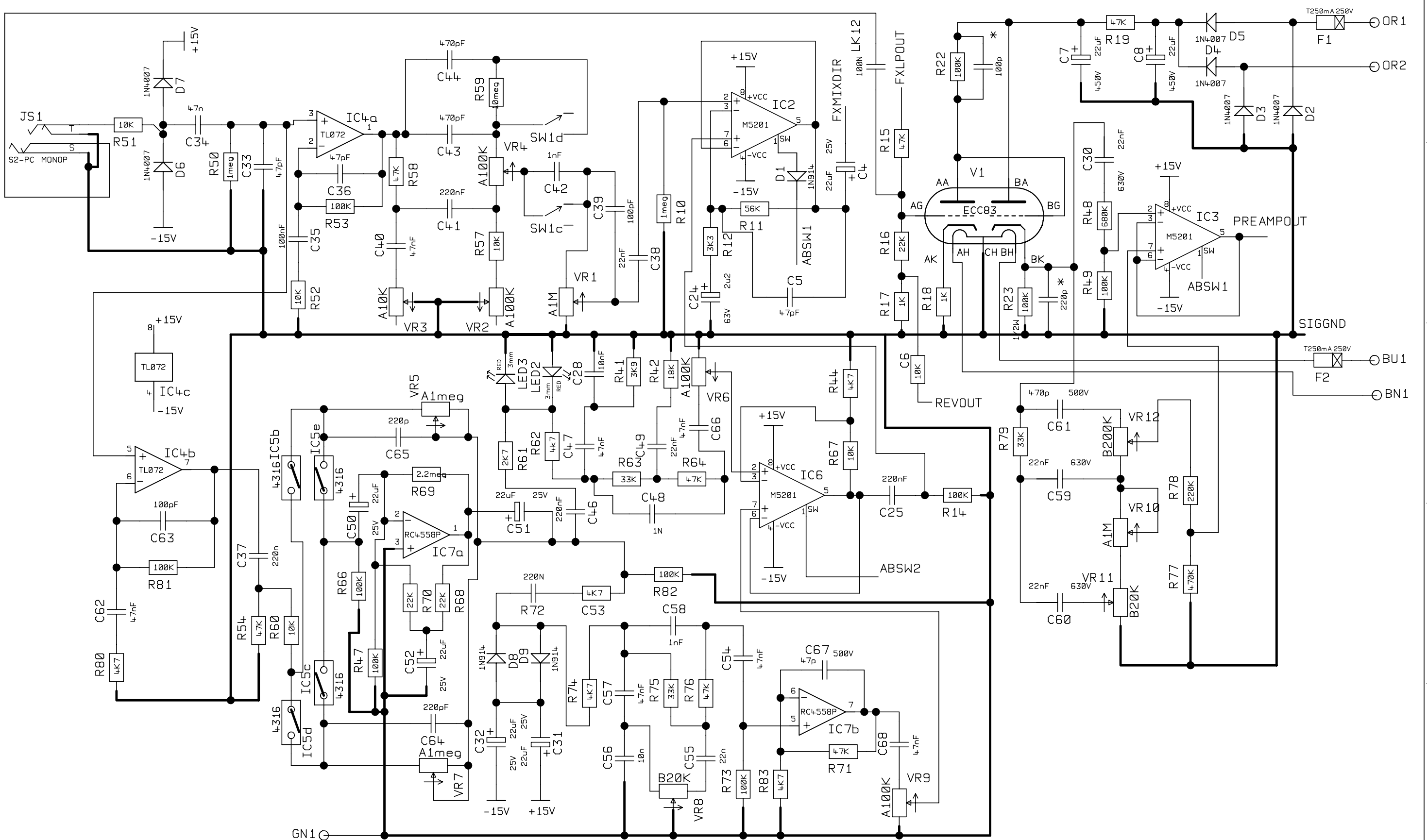



DWG.No.V100-60-02

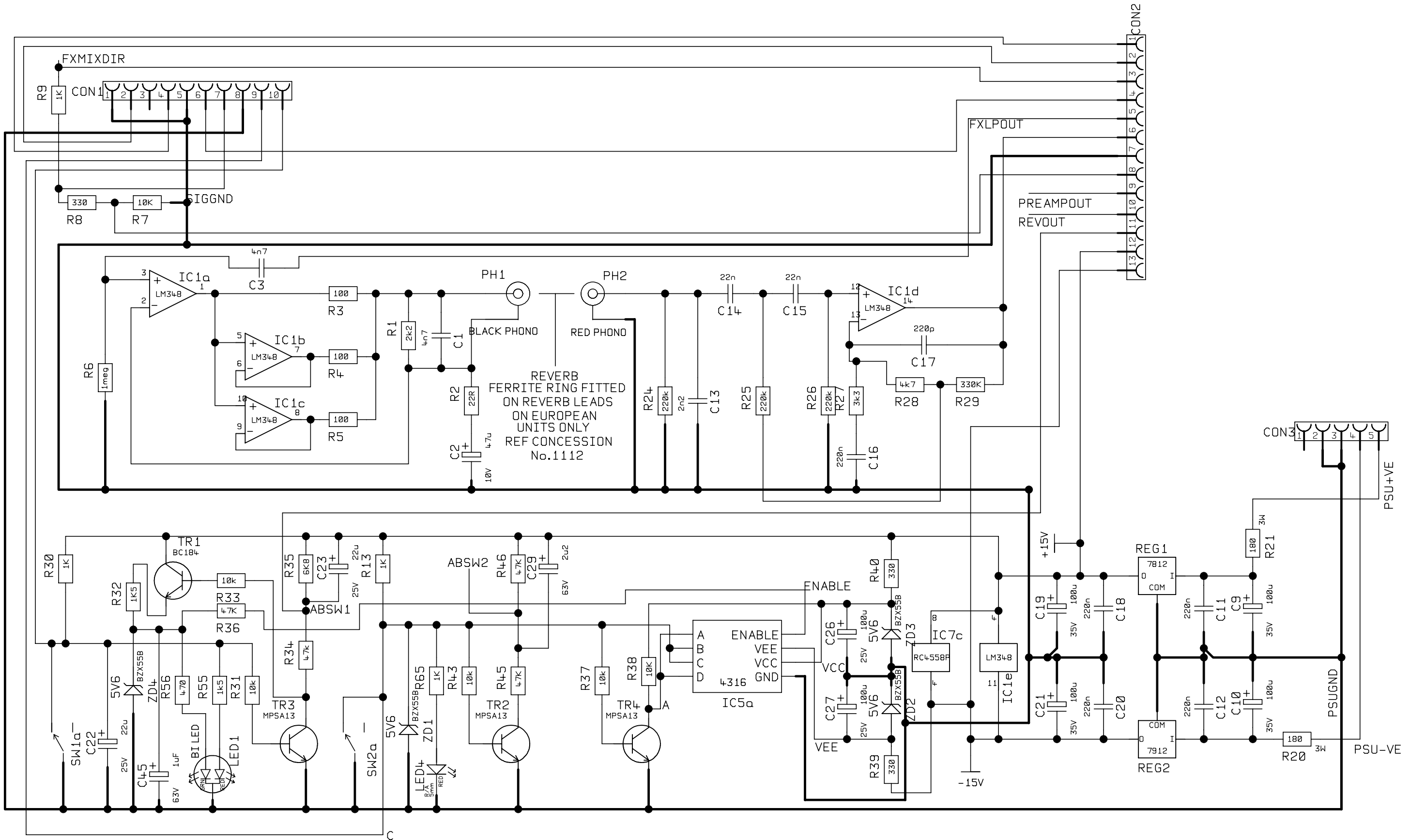


\* CAPACITORS FITTED ON EUROPEAN UNITS ONLY. REF CONCESSION 1112

COMPONENTS C67 AND R41 NOT FITTED.

3		1164		26-04-96		A		E		J		N		MATERIAL		DIMENSIONS IN		 MARSHALL AMPLIFICATION PLC DENBIGH ROAD, BLETCHLEY, MILTON KEYNES, MK1 1DQ. TEL: (01908) 375111 FAX: (01908) 376118		TITLE	
2		1110		13-2-96		B		F		K		P		MATERIAL THICKNESS		TOLERANCE (UNLESS OTHERWISE STATED)				PRE AMP PCB	
ISS		ECO NUMBER		DATE		C		G		L		Q		DRAWN SG		DATE 17_11_95				SHT 1 OF 2	
						D		H		M		R		CHECKED		DATE				DWG.No	
														APPROVED		DATE		V100-60-02			

ISS 3



REVERB  
FERRITE RING FITTED  
ON REVERB LEADS  
ON EUROPEAN  
UNITS ONLY  
REF CONCESSION  
No.1112

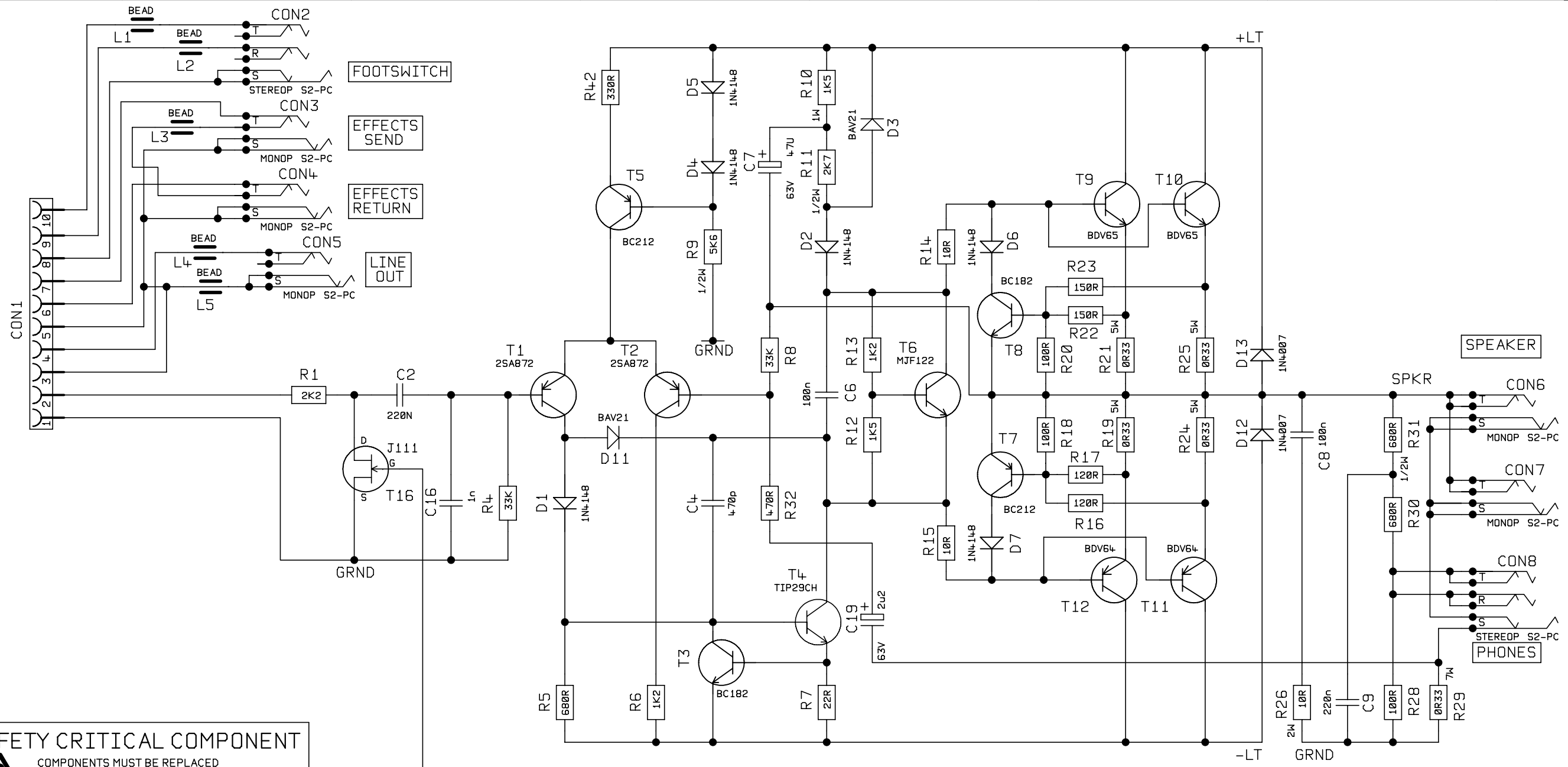
3	1164	26-04-96	A	F	J	N
2	1110	13-2-96	B	F	K	P
ISS	ECO NUMBER	DATE	C	G	L	Q
			D	H	M	R

MATERIAL THICKNESS		DRAWN SG		DATE 17 11 95	
CHECKED		DATE		MODEL VS100	
APPROVED		DATE			

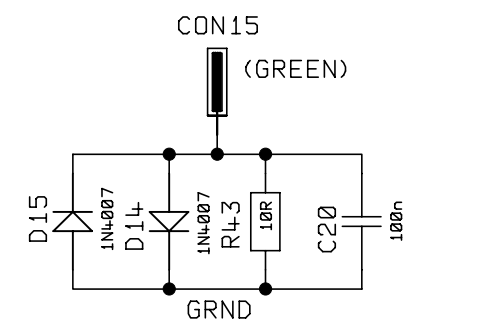
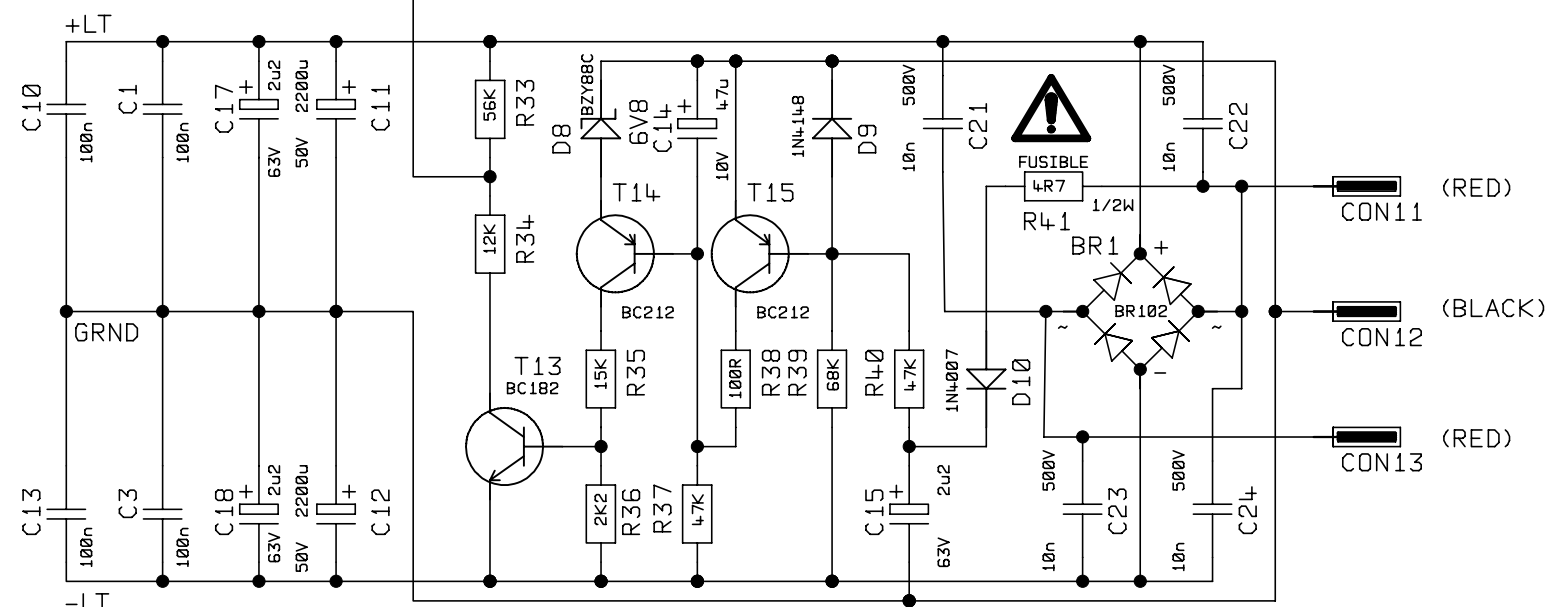
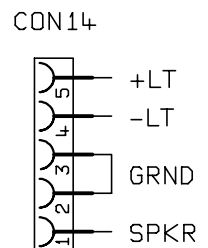


TITLE	PRE AMP PCB SHT 2 OF 2
DWG.No	V100-60-02
ISS	3

V100-62-02.DGM

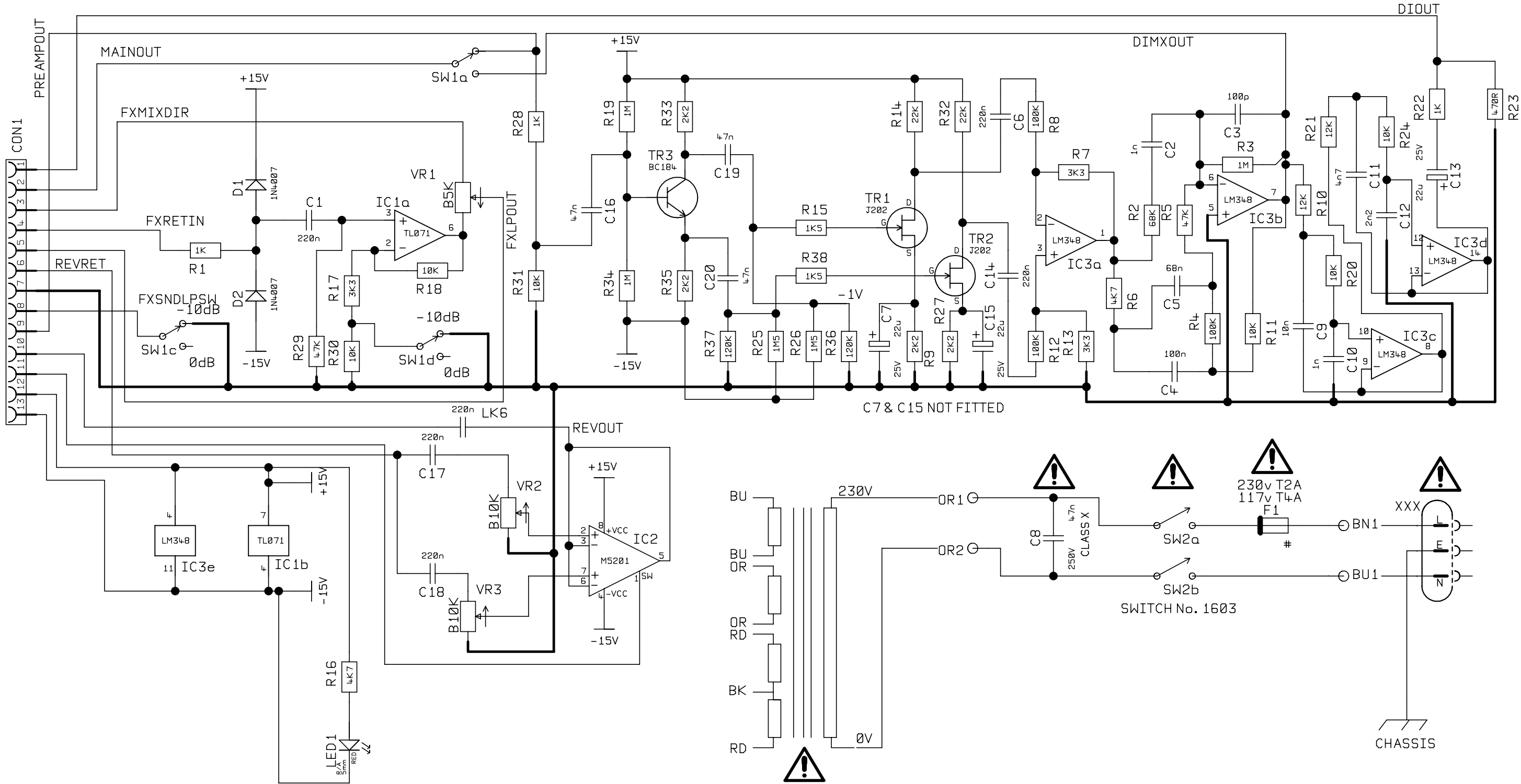


**SAFETY CRITICAL COMPONENT**  
 COMPONENTS MUST BE REPLACED WITH THE SAME TYPE AND RATING ONLY



R27 & C5 NOT FITTED

2		1686/7		15/10/98		A		F		J		N		MATERIAL		DIMENSIONS IN				TITLE VS100 POWER MODULE	
ISS		ECO NUMBER		DATE		B		G		K		P		DRAWN B.KEIR		TOLERANCE (UNLESS OTHERWISE STATED)				DWG.No V100-62-02.DGM	
A		B		C		D		E		F		G		H		MATERIAL THICKNESS		DATE 08.09.95		JIM MARSHALL (PRODUCTS) LTD.	
																		DENBIGH ROAD, BLETCHLEY, MILTON KEYNES, MK1 1DQ.		TEL (0908)375411 FAX (0908)376118	



TRANSFORMER No.:-  
 230V = 96B-1  
 100V = 96B-5  
 117V = 96B-4

4	1164	26-04-96	ALL OTHER HOLES =				X = (THROUGH PLATED)			
3	FUSE RATINGS REVERSED	14-2-96	A	E	J	N				
2	1110	13-2-96	B	F	K	P				
ISS	ECO NUMBER	DATE	C	G	L	Q				
			D	H	M	R				

MATERIAL		DIMENSIONS IN	
MATERIAL THICKNESS		TOLERANCE (UNLESS OTHERWISE STATED)	
DRAWN SG	DATE 14_9_95		
CHECKED	DATE	MODEL VS100	
APPROVED	DATE		



TITLE VS100 DAUGHTER PCB	
DWG.No V100-61-02	ISS 4