

1 2 3 4 5 6 7 8 9 10 11 12 13 14 15 16 17 18 19 20 21 22 23 24 25 26 27 28

A PM BOARD ASSY CIRCUIT DIAGRAM

B
C
D
E
F
G
H
I
J
K
L
M
N
O
P
Q
R
S
T
U

230V/240V MAIN BOARD ASSY

CH2 INPUT BOARD ASSY

CH1 INPUT BOARD ASSY

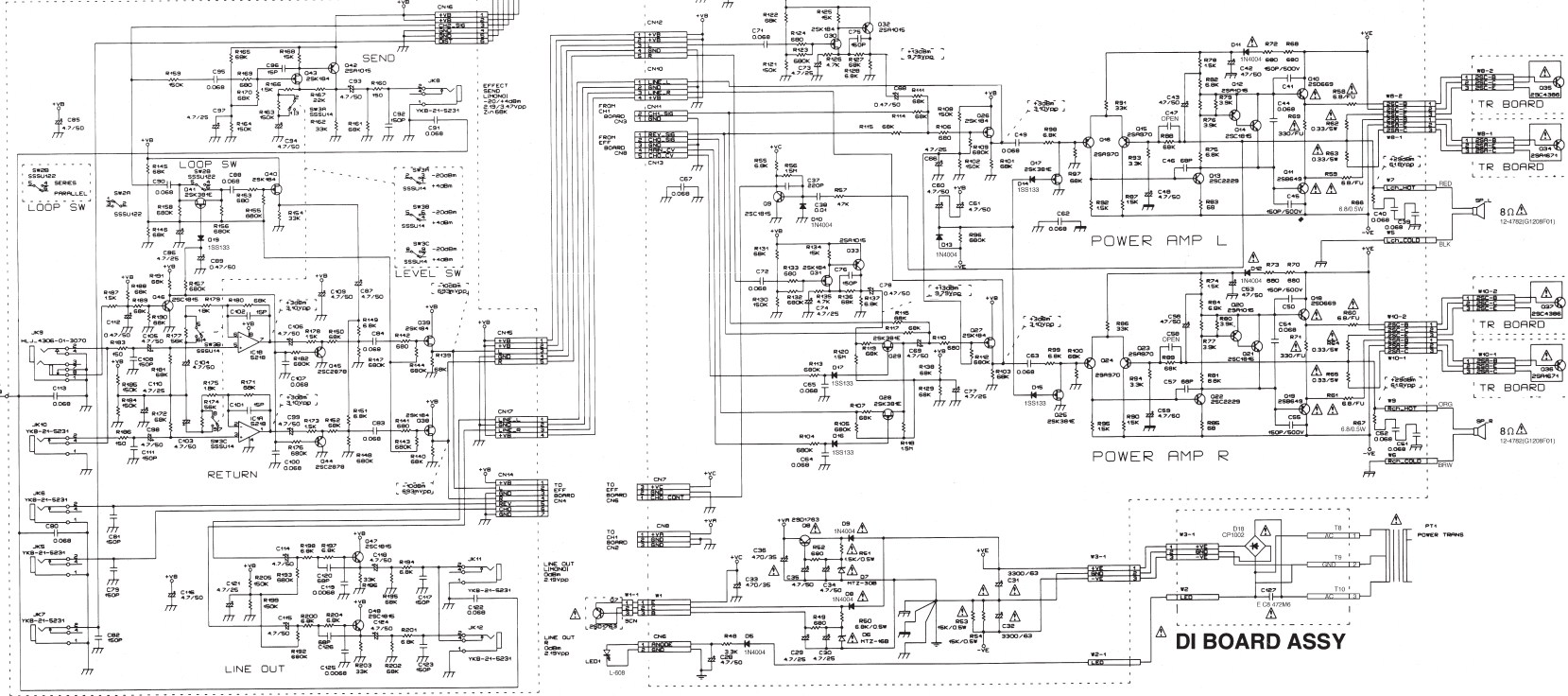
CH2 BOARD ASS'Y

JK BOARD ASSY

MAIN AMP BOARD ASSY

Sals area	Model Name	Symbol
Japanese Model	JC-120UT	⓪
	JC-120JT	Ⓜ
except Japan	JC-120UT Old	⓪
	JC-120UT New	Ⓝ

Setting
 VOL.EQ MAX
 DIST OFF
 BRI OFF
 CHO OFF
 REV MIN



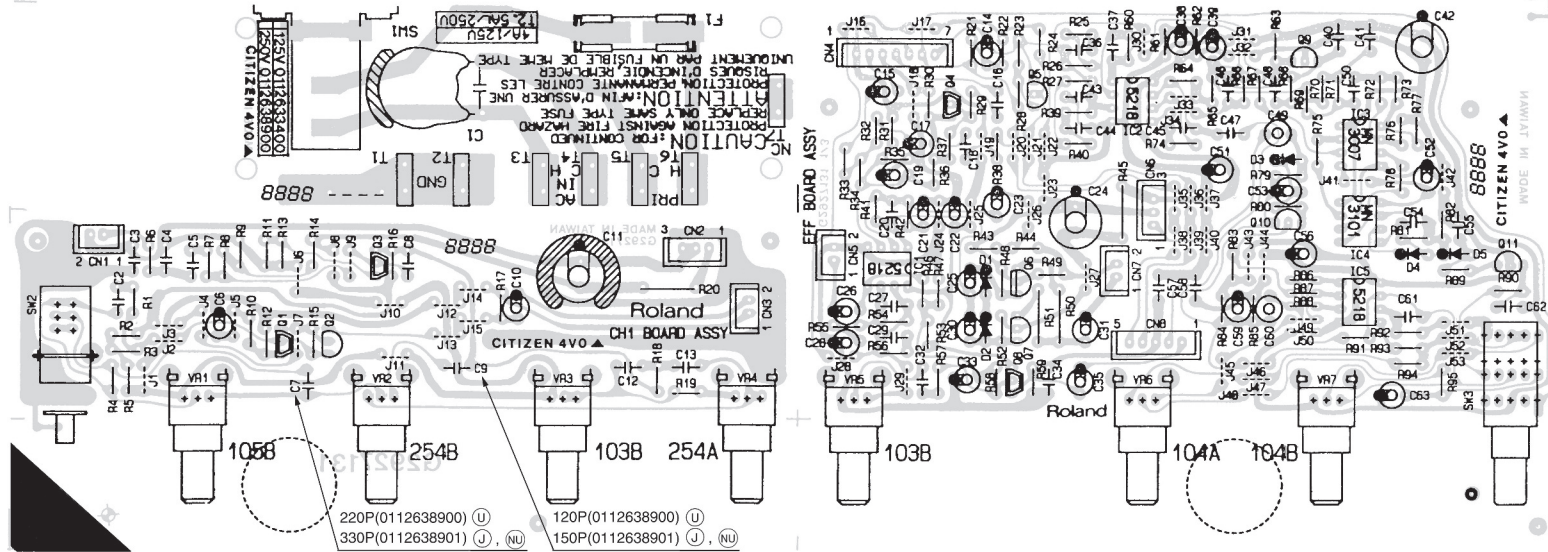
1 2 3 4 5 6 7 8 9 10 11 12 13 14 15 16 17 18 19 20 21 22 23 24 25 26 27 28

A PA BOARD ASSY CIRCUIT BOARD

B
C
D
E
F
G
H
I
J
K
L
M
N
O
P
Q
R
S
T
U

Sals area	Model Name	Symbol
Japanese Model	JC-120UT	Ⓚ
	JC-120JT	Ⓝ
except Japan	JC-120UT Old	Ⓚ
	JC-120UT New	Ⓝ

EFFECT BOARD

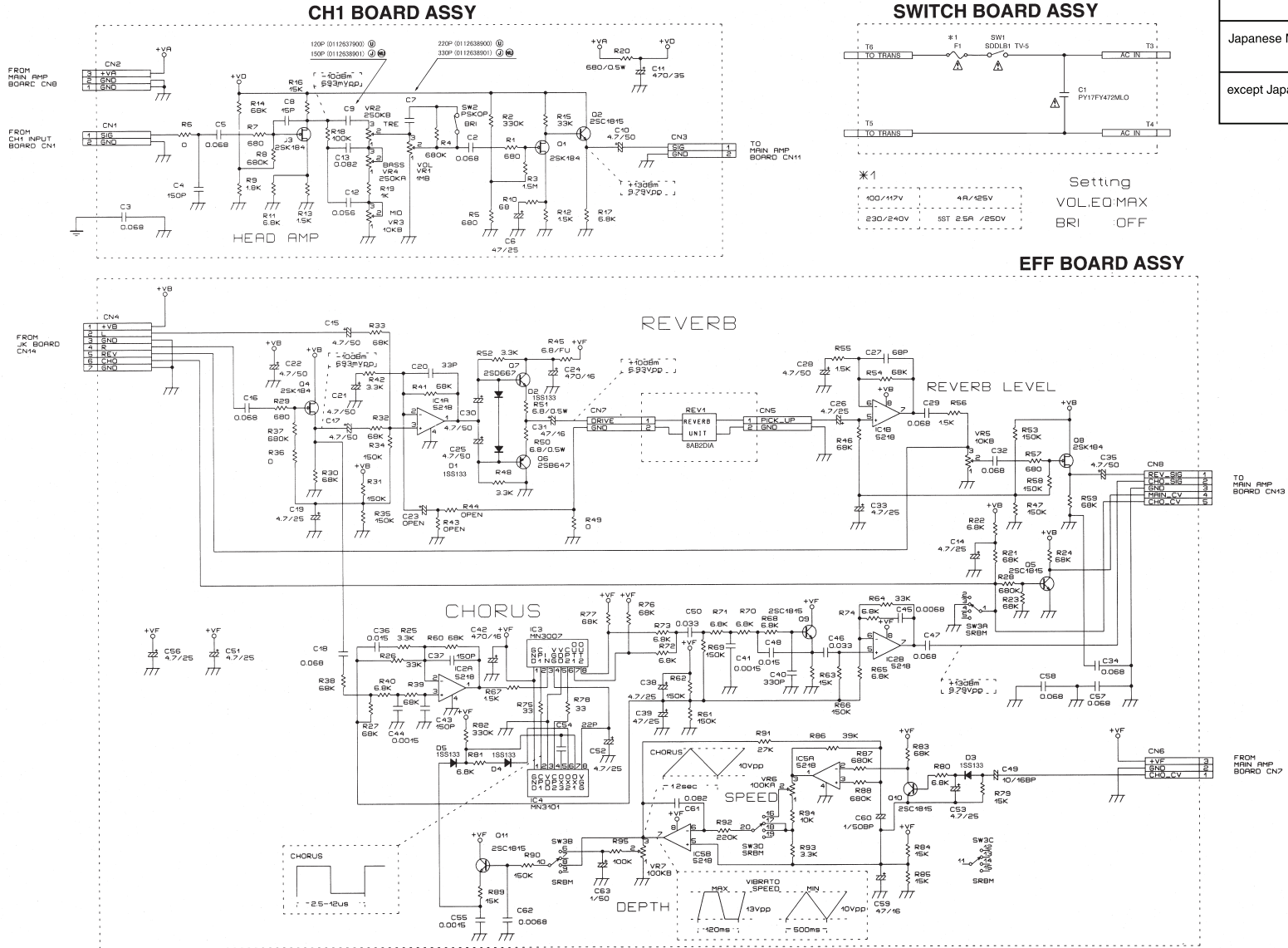


1 2 3 4 5 6 7 8 9 10 11 12 13 14 15 16 17 18 19 20 21 22 23 24 25 26 27 28

A PA BOARD ASSY CIRCUIT DIAGRAM

B
C
D
E
F
G
H
I
J
K
L
M
N
O
P
Q
R
S
T
U

230V/240V PA BOARD ASSY



Sals area	Model Name	Symbol
Japanese Model	JC-120UT	Ⓢ
	JC-120JT	Ⓜ
except Japan	JC-120UT Old	Ⓢ
	JC-120UT New	Ⓝ