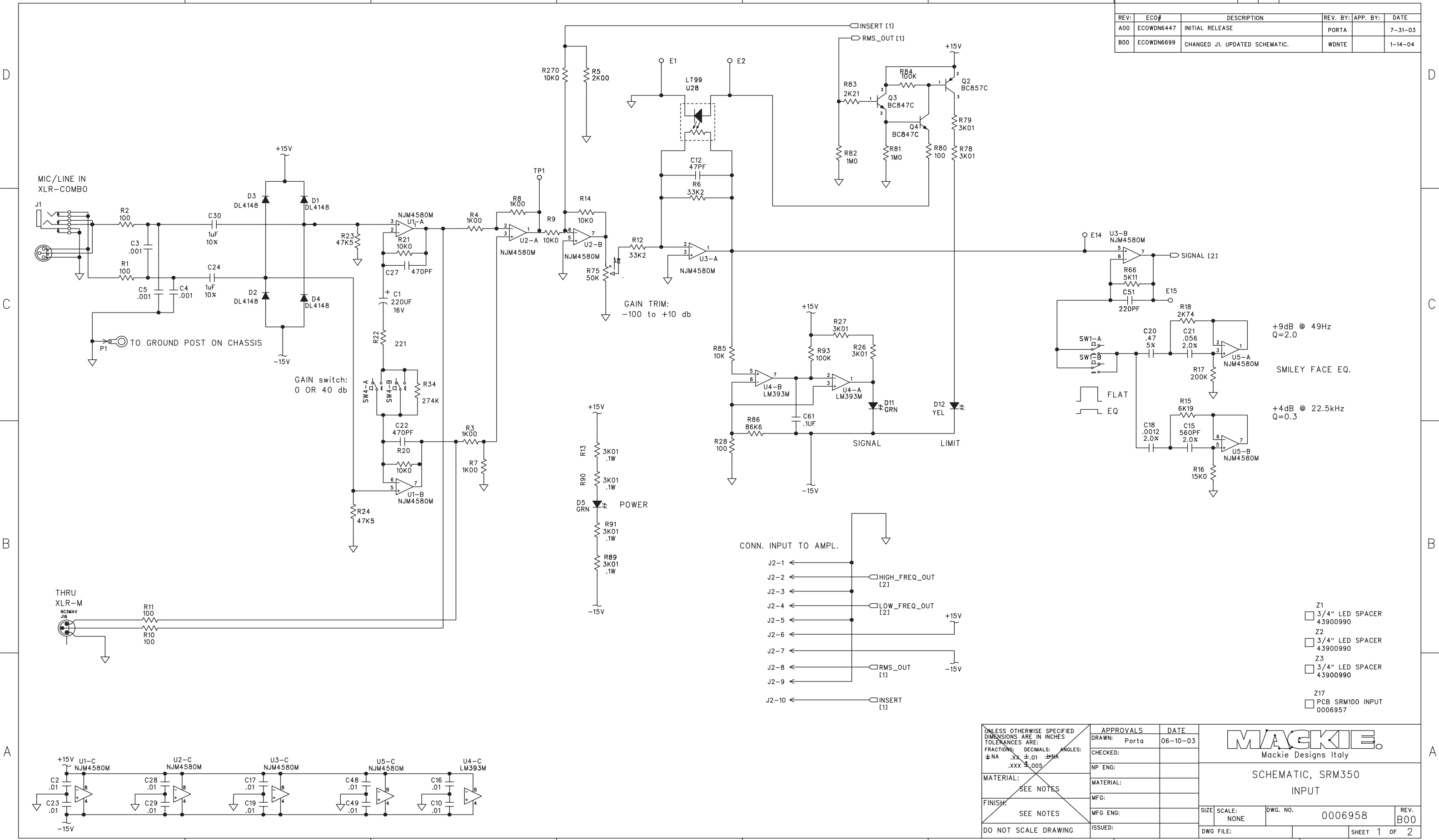


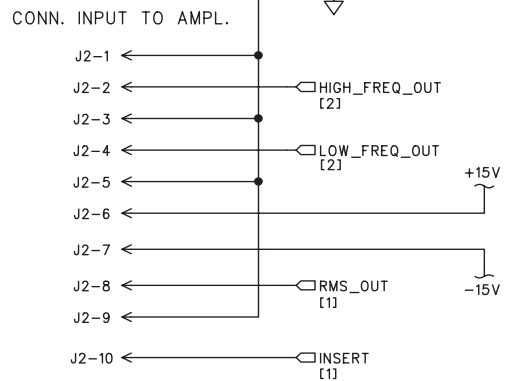
REV:	ECO#	DESCRIPTION	REV. BY:	APP. BY:	DATE
A00	ECOWDN6447	INITIAL RELEASE	PORTA		7-31-03
B00	ECOWDN6699	CHANGED J1. UPDATED SCHEMATIC.	WDNTE		1-14-04



GAIN TRIM:
-100 to +10 db

GAIN switch:
0 OR 40 db

+9dB @ 49Hz
Q=2.0
SMILEY FACE EQ.
+4dB @ 22.5kHz
Q=0.3



- Z1 3/4" LED SPACER 43900990
- Z2 3/4" LED SPACER 43900990
- Z3 3/4" LED SPACER 43900990
- Z17 PCB SRM100 INPUT 0006957

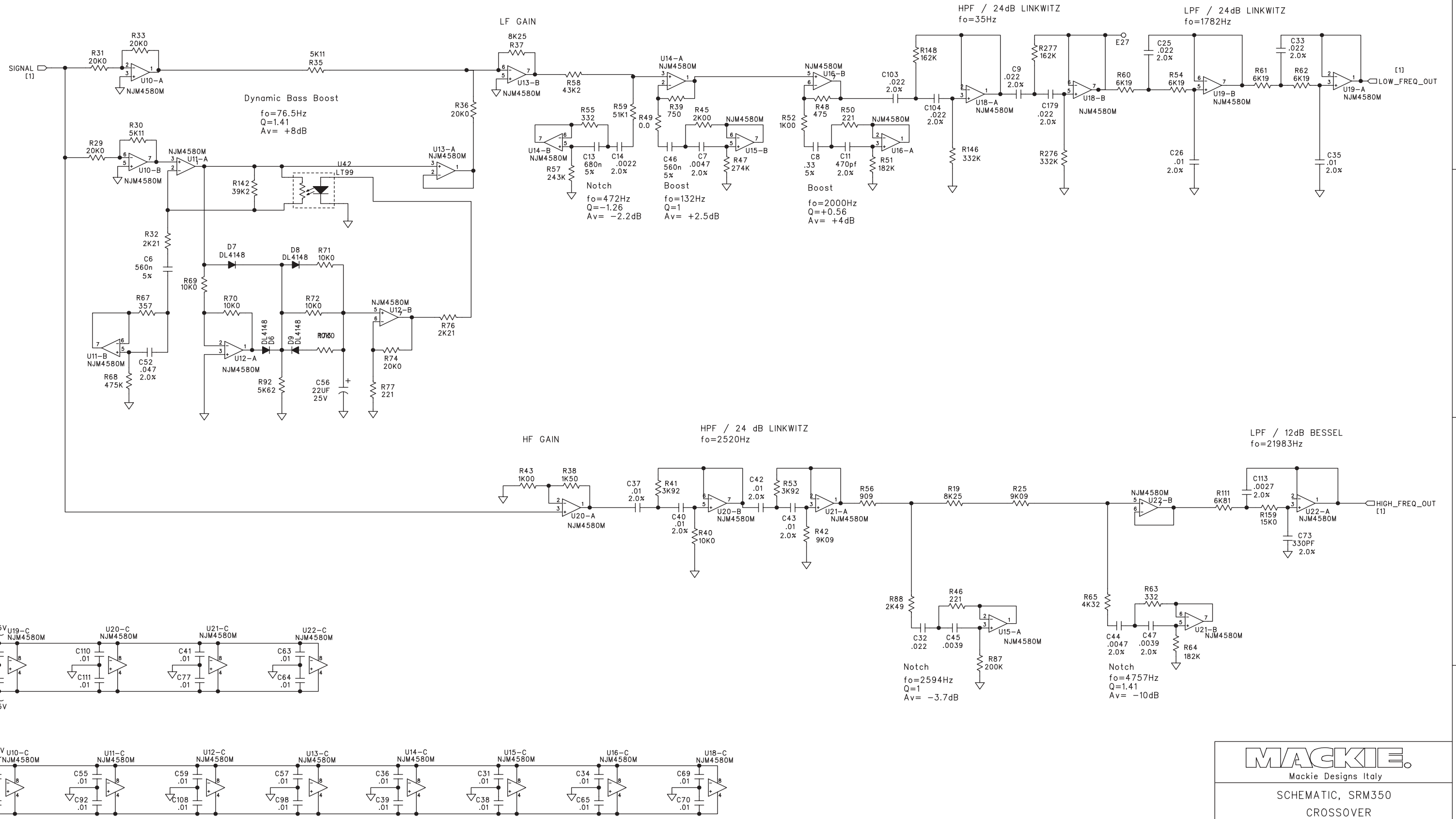
UNLESS OTHERWISE SPECIFIED DIMENSIONS ARE IN INCHES TOLERANCES ARE:		APPROVALS	DATE
FRACTIONS: ±NA	DECIMALS: ±.01	DRAWN: Porta	06-10-03
ANGLES: .XXX ±.005		CHECKED:	
MATERIAL: SEE NOTES		NP ENG:	
FINISH: SEE NOTES		MATERIAL:	
DO NOT SCALE DRAWING		MFG:	
		MFG ENG:	
		ISSUED:	



SCHEMATIC, SRM350 INPUT

SIZE: NONE	SCALE: NONE	DWG. NO. 0006958	REV. B00
DWG FILE:		SHEET 1 OF 2	

D
C
B
A

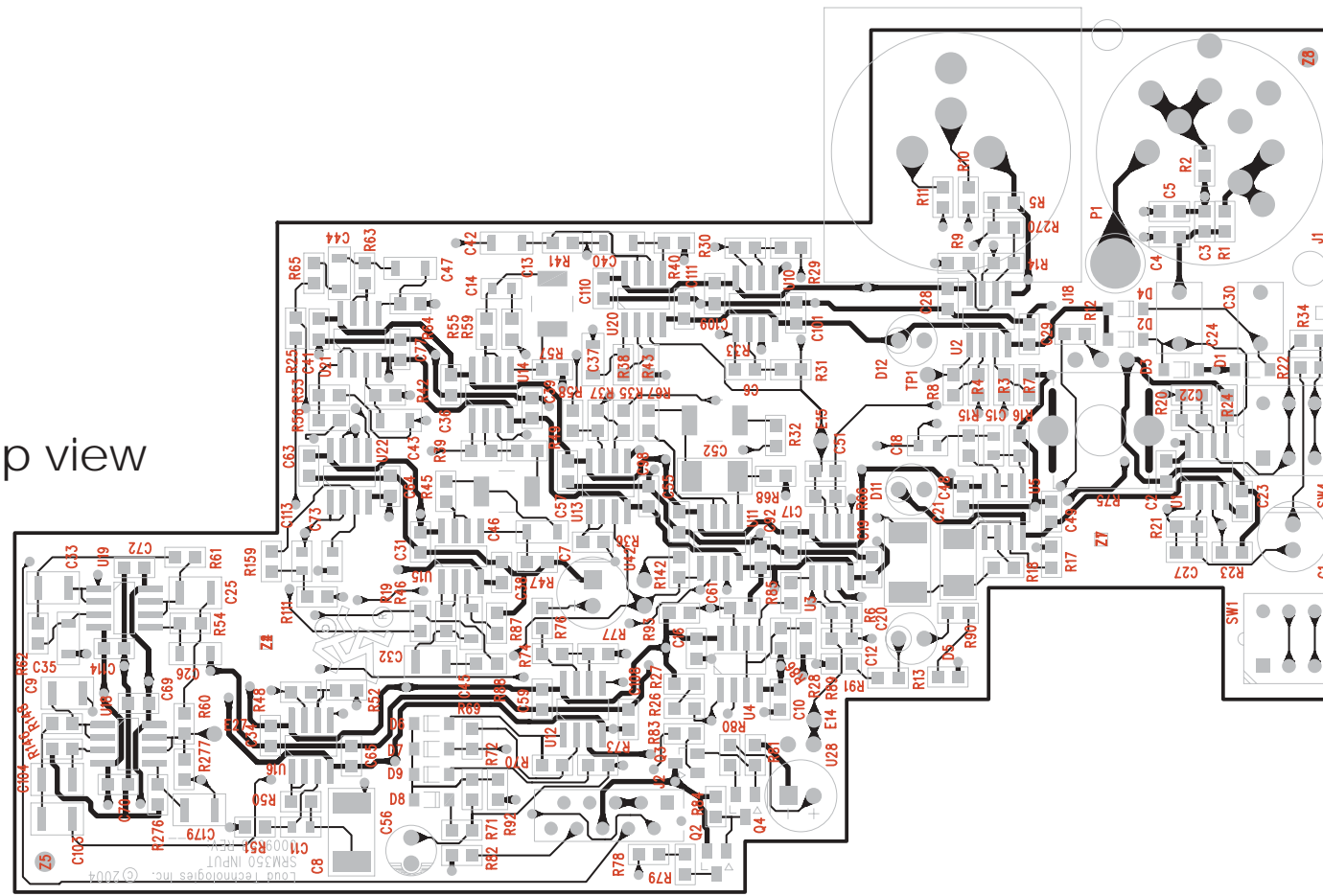


MACKIE.
 Mackie Designs Italy

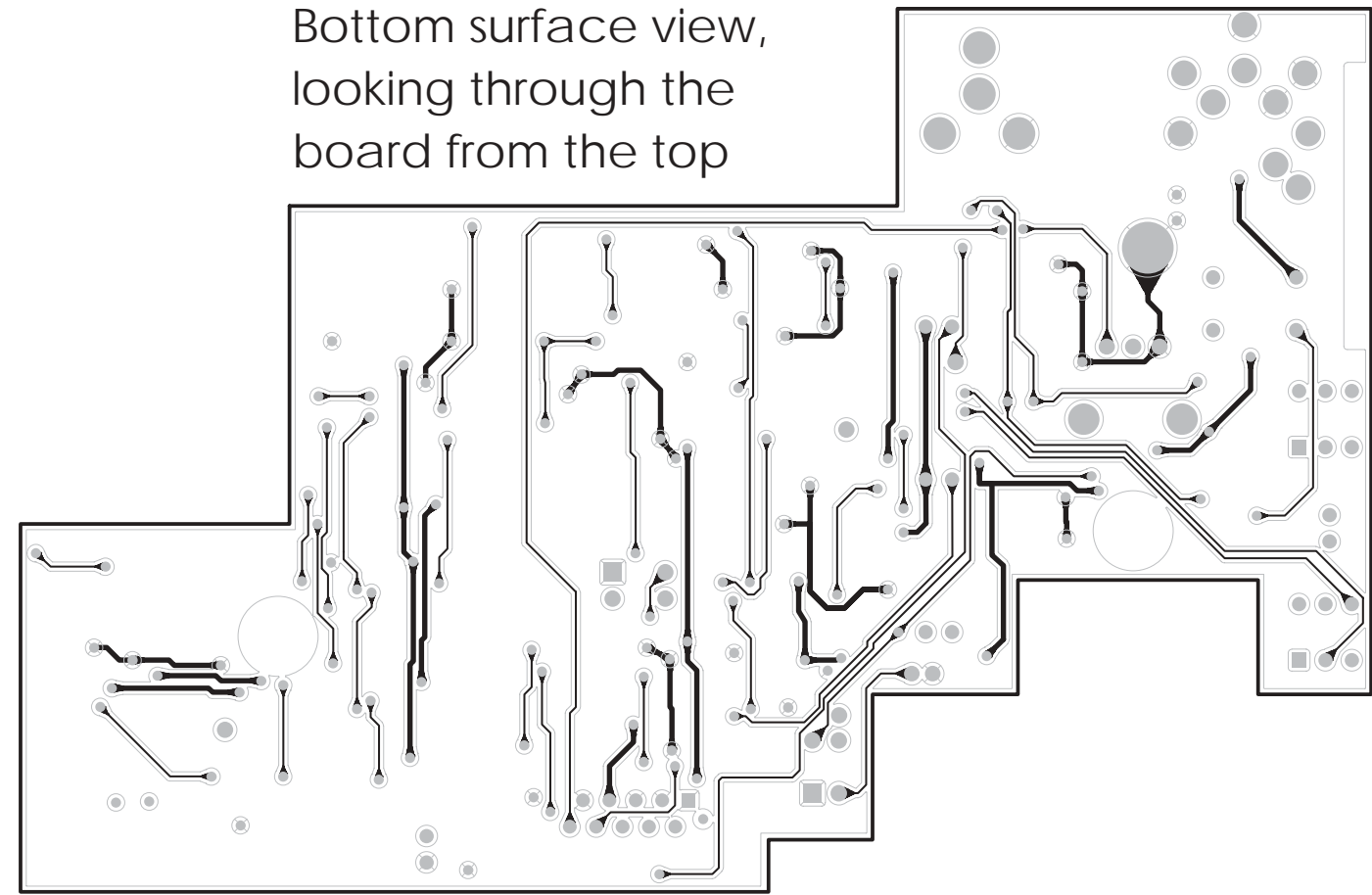
SCHEMATIC, SRM350
 CROSSOVER

SIZE	SCALE: NONE	DWG. NO. 0005968	REV. B00
DWG FILE:		SHEET 2 OF 2	

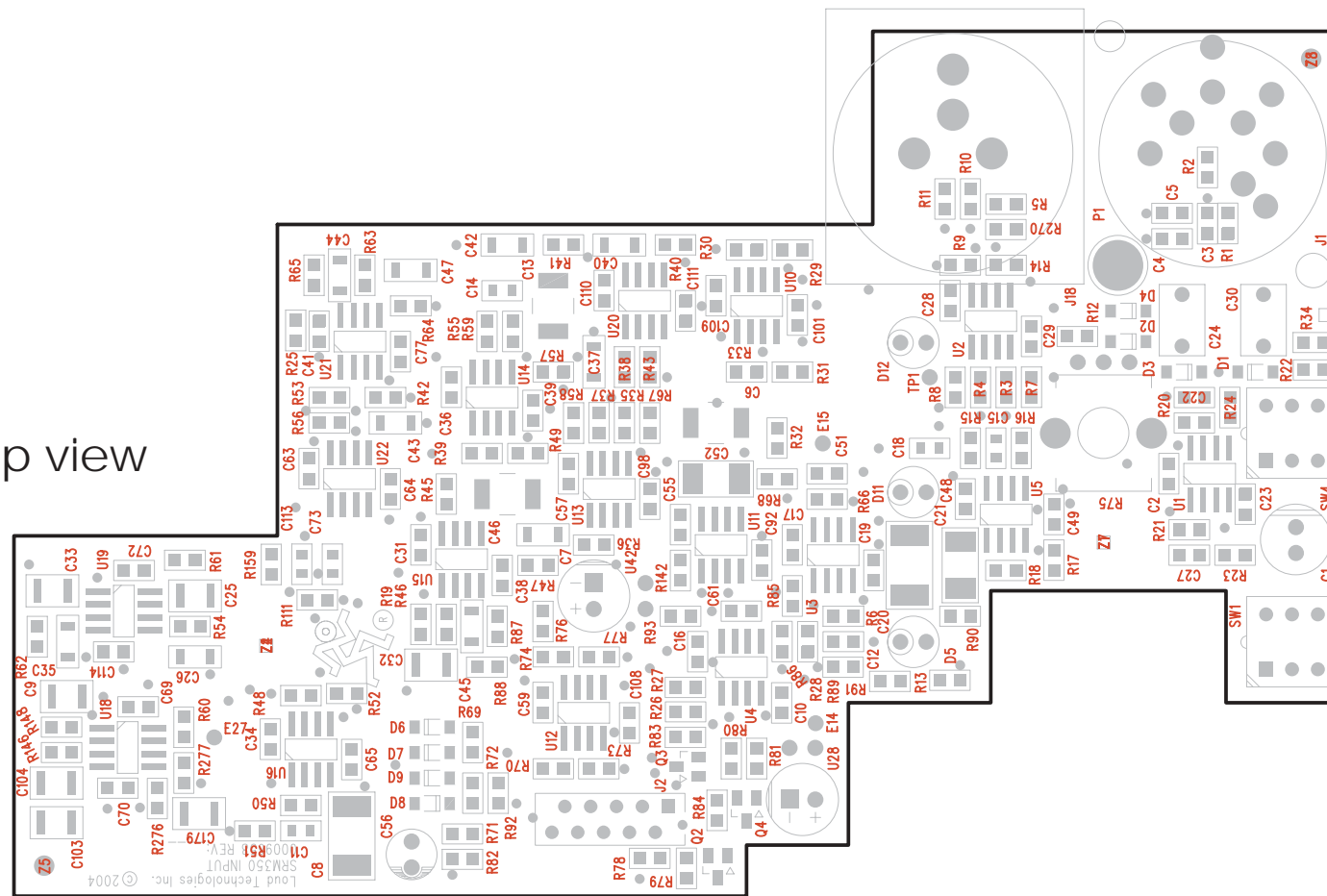
Top view



Bottom surface view, looking through the board from the top



Top view



Bottom surface view

