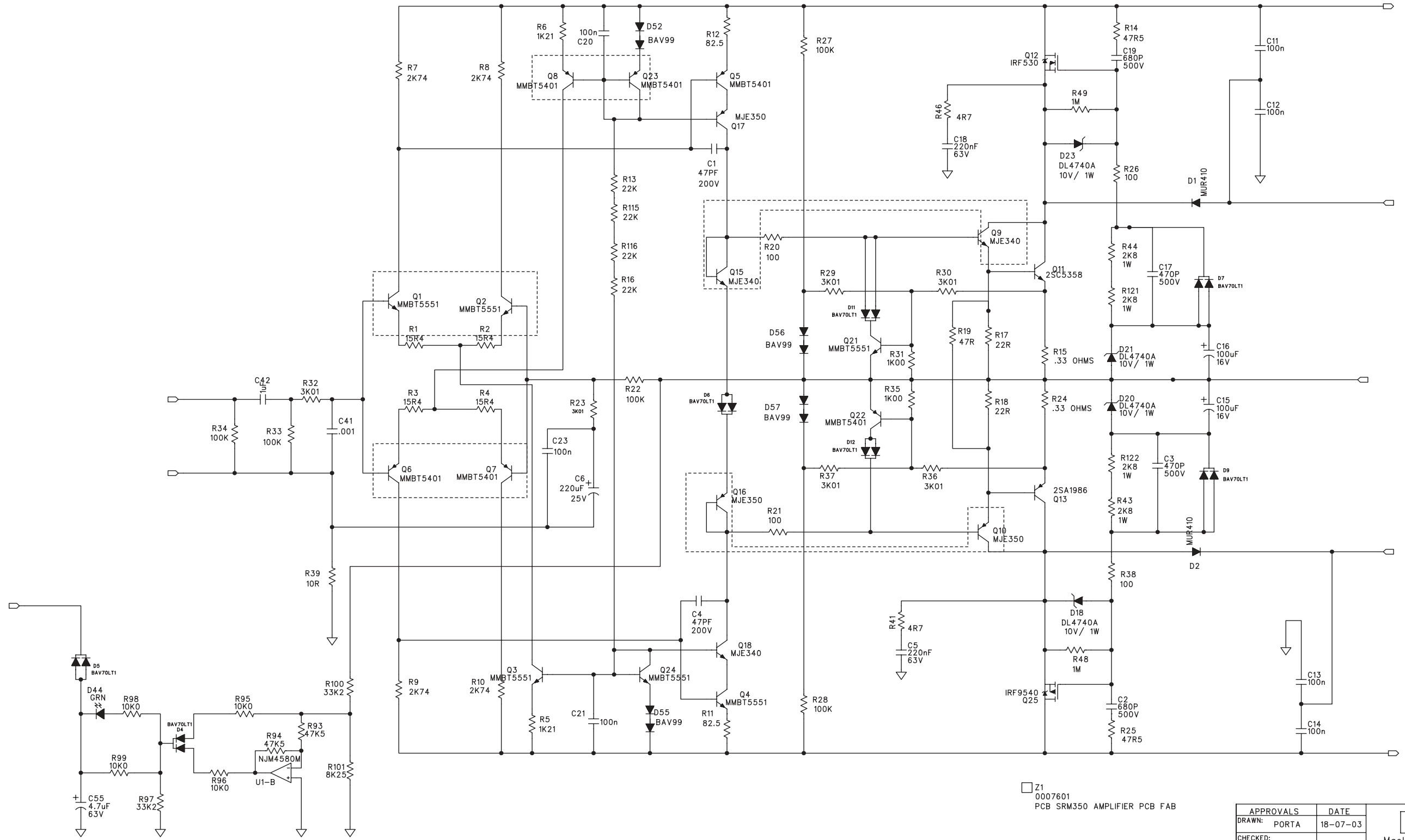


ECO#	REV:	DESCRIPTION	REV. BY:	APP. BY:	DATE
WDN6447	ADD	INITIAL RELEASE.	M1		7-31-03
WDN6699	BOD	UPDATED FOR PRODUCTION RELEASE	WDNTE		1-9-04

D
C
B
A



Z1 0007601 PCB SRM350 AMPLIFIER PCB FAB

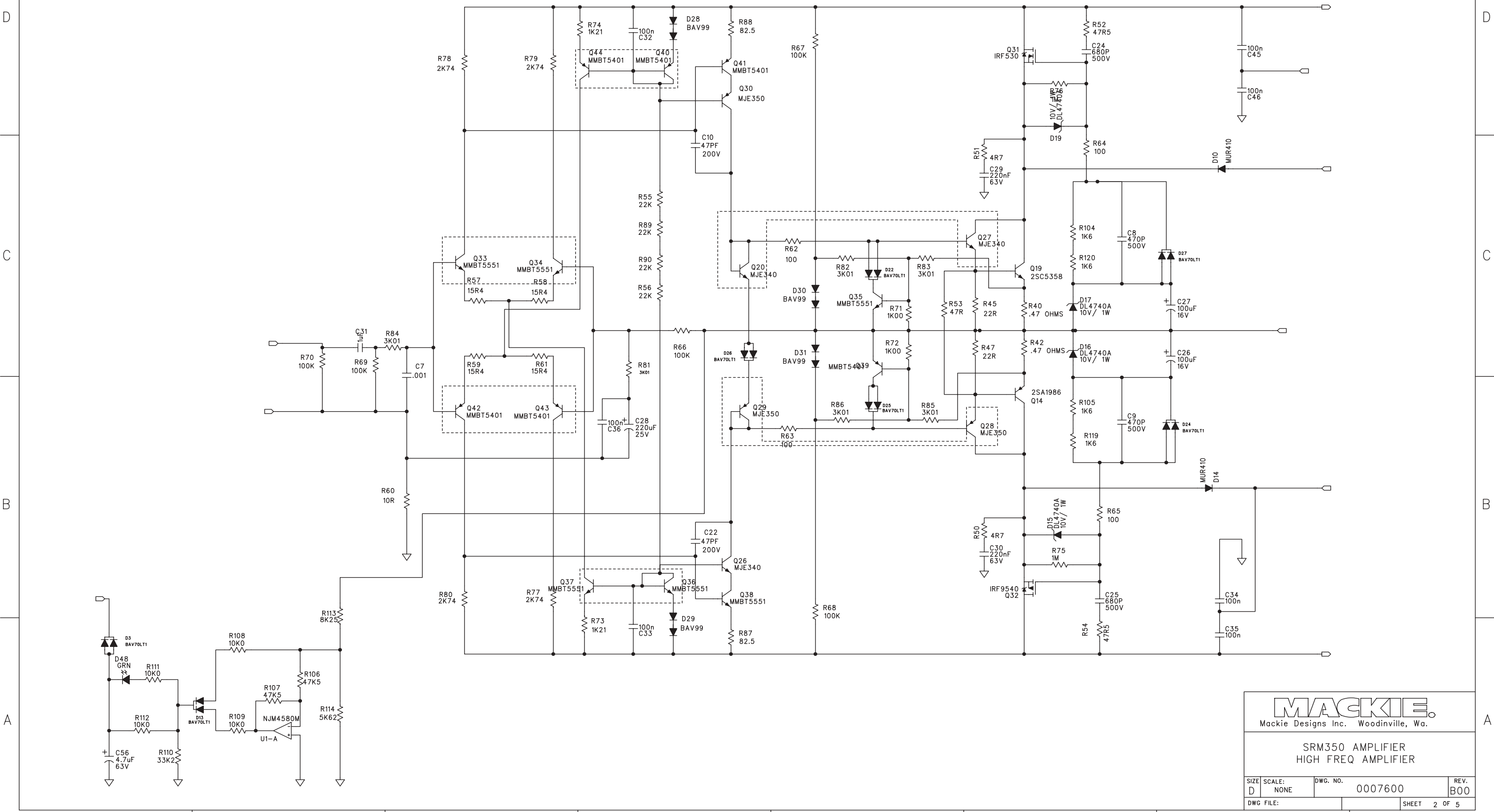
APPROVALS	DATE
DRAWN: PORTA	18-07-03
CHECKED:	
NP ENG:	
MATERIAL:	
MFG:	
MFG ENG:	
ISSUED:	

MACKIE
Mackie Designs Inc. Woodinville, Wa.

©2004 MACKIE DESIGNS INC.
ALL RIGHTS RESERVED
THE INFORMATION CONTAINED HEREIN
IS PROPRIETARY AND CONFIDENTIAL
PROPERTY OF MACKIE DESIGNS INC.

SRM350 AMPLIFIER LOW FREQ AMPLIFIER	
SIZE: D	SCALE: NONE
DWG. NO. 0007600	REV. B00
DWG FILE:	SHEET 1 OF 5

ECO#	REV:	DESCRIPTION	REV. BY:	APP. BY:	DATE

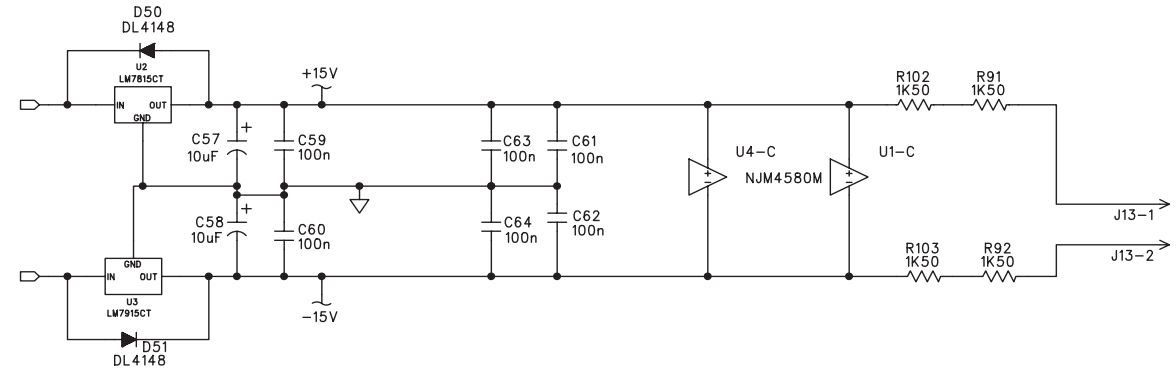
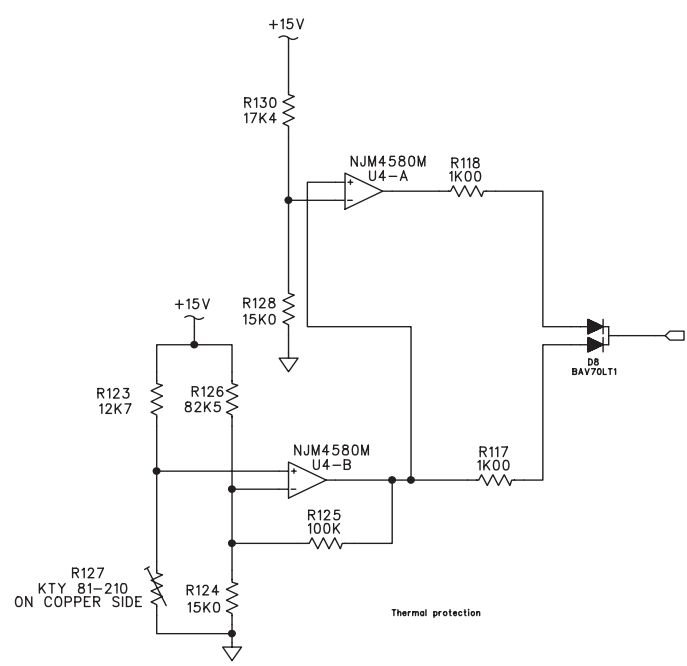
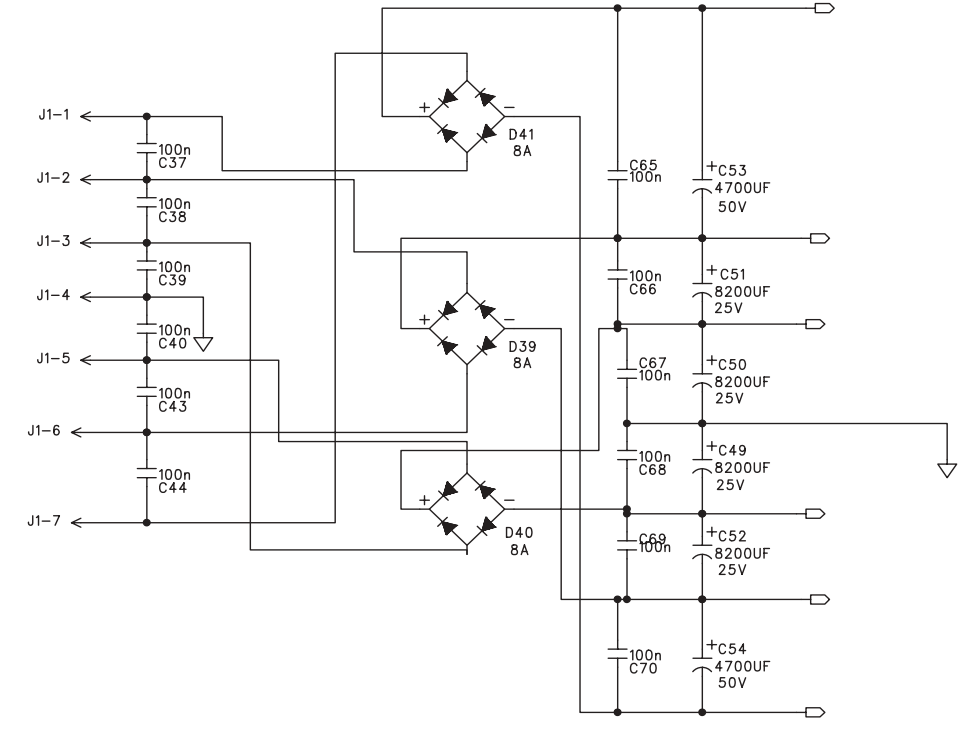
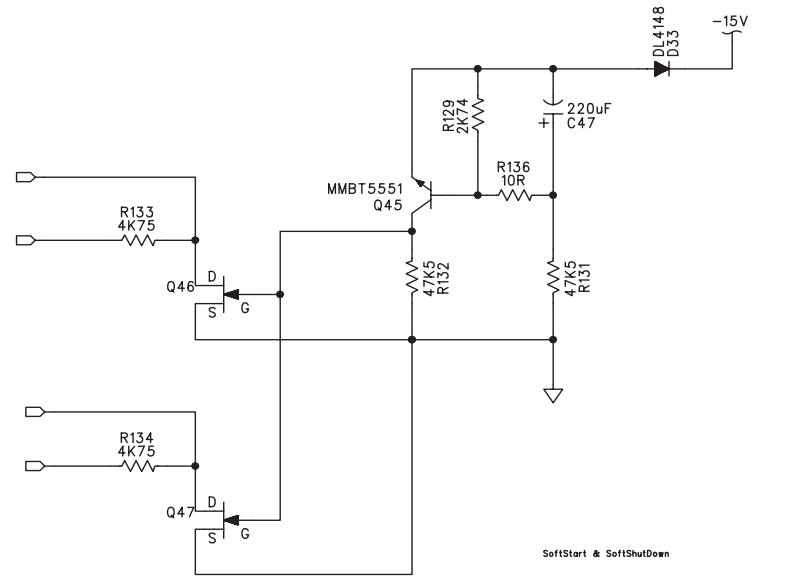


MACKIE
Mackie Designs Inc. Woodinville, Wa.

SRM350 AMPLIFIER
HIGH FREQ AMPLIFIER

SIZE: D	SCALE: NONE	DWG. NO. 0007600	REV. B00
DWG FILE:		SHEET 2 OF 5	

ECO#	REV:	DESCRIPTION	REV. BY:	APP. BY:	DATE

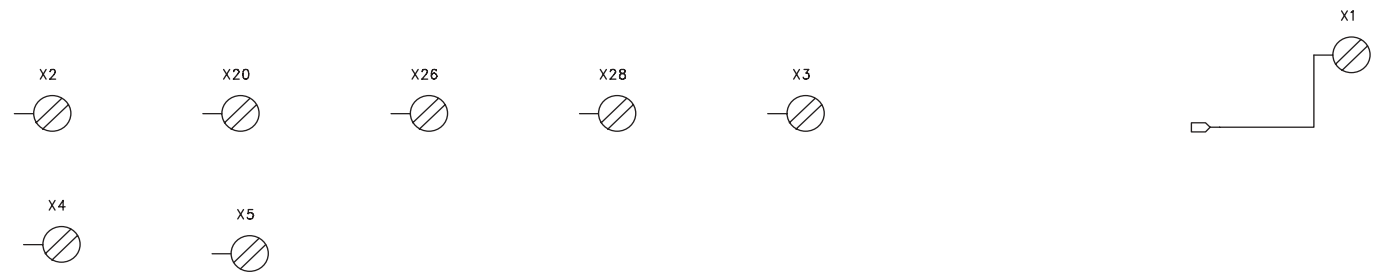


MACKIE
Mackie Designs Inc. Woodinville, Wa.

SRM350 AMPLIFIER
POWER SUPPLY

SIZE: D	SCALE: NONE	DWG. NO. 0007600	REV. B00
DWG FILE:		SHEET 3 OF 5	

ECO#	REV:	DESCRIPTION	REV. BY:	APP. BY:	DATE



MACKIE. Mackie Designs Inc. Woodinville, Wa.			
SRM350 AMPLIFIER ACCESSORY			
SIZE	SCALE:	DWG. NO.	REV.
D	NONE	0007600	B00
DWG FILE:			SHEET 4 OF 5

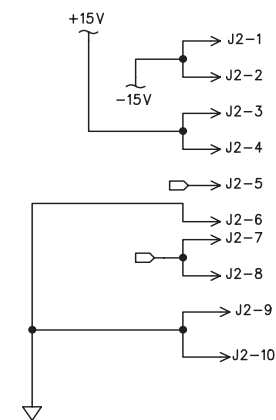
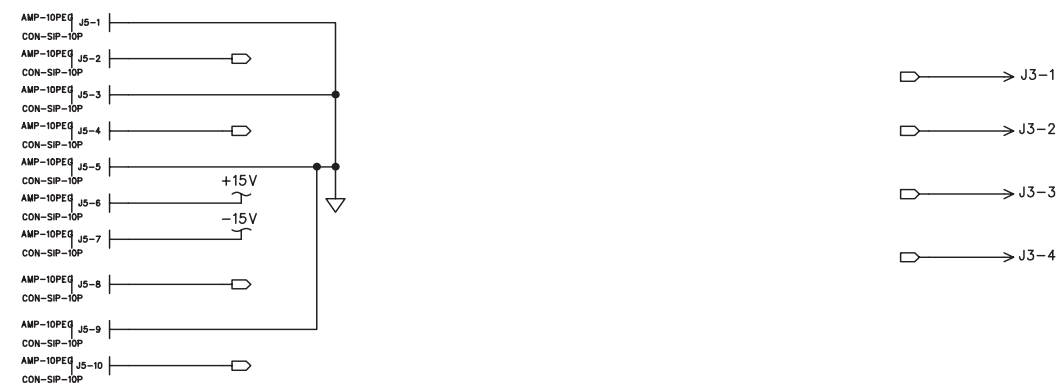
D
C
B
A

D
C
B
A

8 | 7 | 6 | 5 | 4 | 3

8 | 7 | 6 | 5 | 4 | 3

ECO#	REV:	DESCRIPTION	REV. BY:	APP. BY:	DATE



MACKIE.
Mackie Designs Inc. Woodinville, Wa.

SRM350 AMPLIFIER
CROSSOVER

SIZE D	SCALE: NONE	DWG. NO. 0007600	REV. B00
DWG FILE:		SHEET 5 OF 5	