

THIS DOCUMENT CONTAINS PROPRIETARY INFORMATION WHICH IS THE PROPERTY OF QSC AUDIO PRODUCTS, THAT MAY NOT BE DISCLOSED, REPRODUCED OR USED WITHOUT EXPRESS WRITTEN CONSENT FROM QSC AUDIO PRODUCTS.

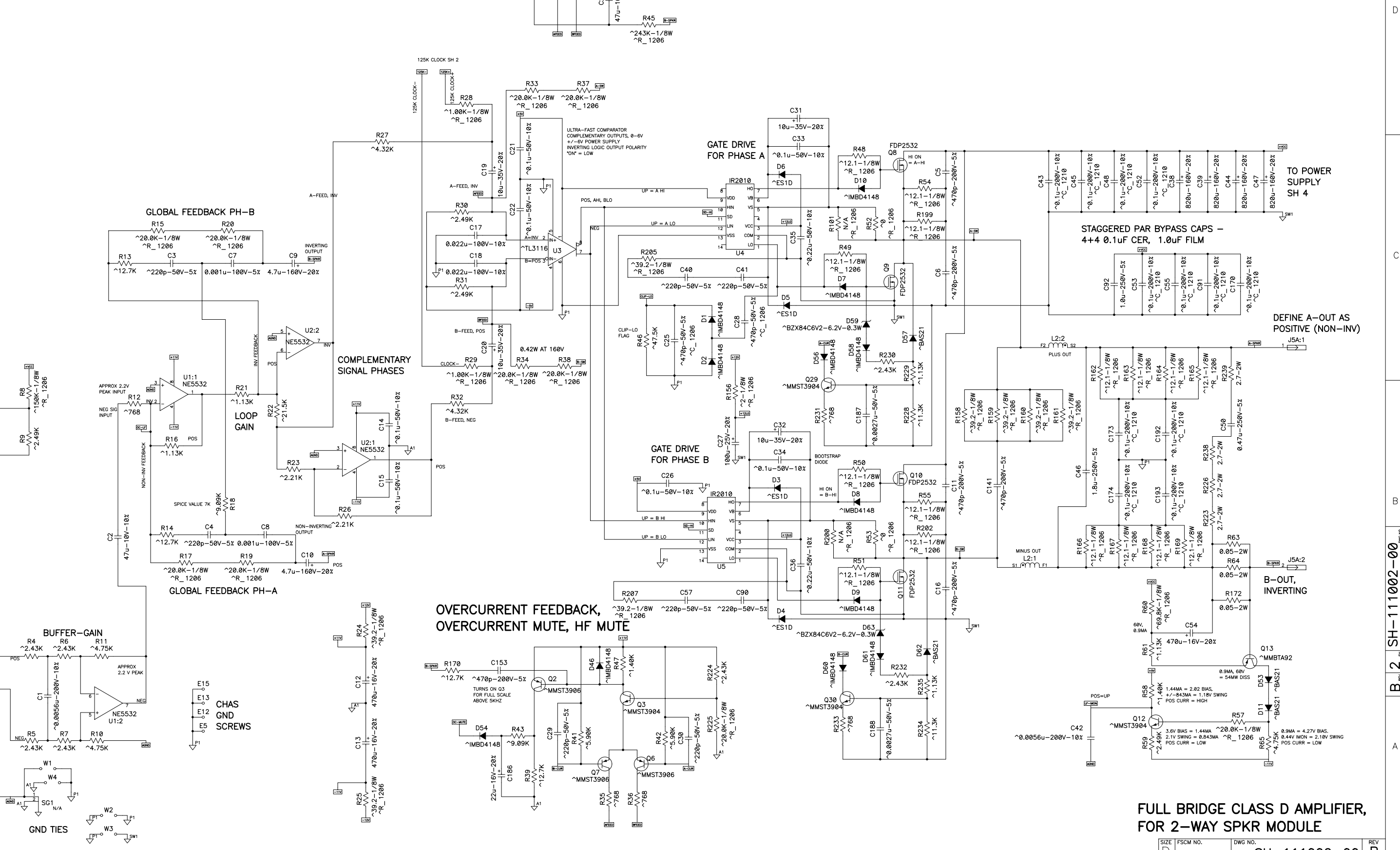
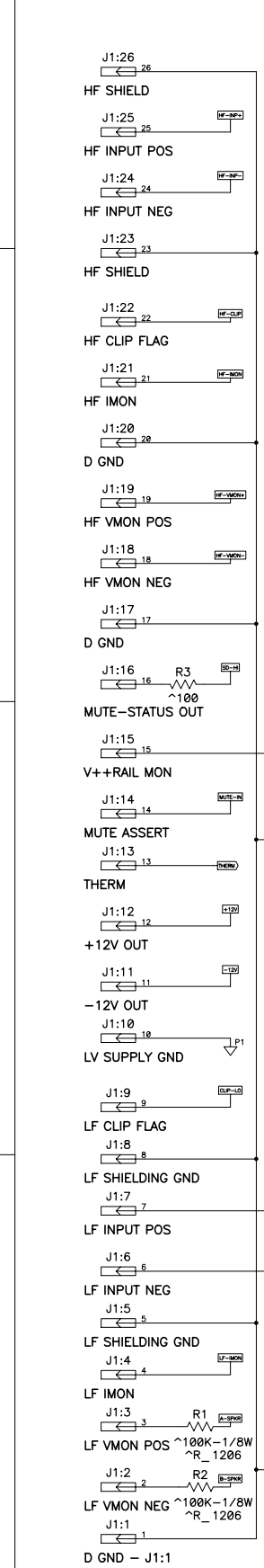
REVISION				
REV	DESCRIPTION	EFF. DATE	CHK	APPROVED/DATE
A	PRODUCTION RELEASE PER ECO 6635 AA	6-17-05	RAB	DD
B	REVISED PER ECO 6738 AA	8-19-05		DD

- 8. ZENER TOLERANCE IS 5%
  - 7. SMT CAPACITOR VOLTAGE IS 50V
  - 6. SMT RESISTOR WATTAGE RATING IS 0.1W
  - 5. RESISTOR WATTAGE RATING IS 1/4W  
FOR RESISTOR WATTAGE RATINGS GREATER THAN 1W, TOLERANCE IS 5%  
FOR RESISTOR WATTAGE RATINGS LESS THAN 1/2W, TOLERANCE IS 1%
  - 4. THROUGH-HOLE FILM AND CERAMIC CAPACITOR TOLERANCE IS 10%, VOLTAGE IS 100V
  - 3. ELECTROLYTIC CAPACITOR TOLERANCE IS 20%
  - 2. COMPONENTS WITH VALUE PREFIXED WITH A "\*" REPRESENT SMT COMPONENTS.
  - 1. THIS DRAWING USED IN CONJUNCTION WITH PC-111002-00.
- NOTES: UNLESS OTHERWISE SPECIFIED

QTY	ITEM NO.	PART NO.	DESCRIPTION	VENDOR
<b>PARTS LIST</b>				
UNLESS OTHERWISE SPECIFIED DIMENSIONS ARE IN INCHES. DIMENSIONS PER ANSI Y14.5-1982 TOLERANCES ARE: DECIMALS    DECIMALS    ANGLES .XX ±        .XXX ±        ° DEBURR EDGES .XXX R MAX MATERIAL			CONTRACT NO.	
			<b>QSC AUDIO PRODUCTS, INC.</b> COSTA MESA, CALIFORNIA	
			<b>SCHEMATIC DIAGRAM</b> <b>PM-1000</b>	
APPROVALS		DATE		
DRAWN PAT QUILTER		1-12-2005		
CHECKED R. BECKER		6-15-05		
ISSUED D. DELARM		6-17-05		
CAD SEED FILE NO.		Tue Aug 23, 2005		
DO NOT SCALE DRAWING				
SIZE D	FSCM NO.	DWG NO. SH-111002-00		REV B
SCALE	CAD FILE NO. SH111002B.SCH	SHEET 1 OF 4		

B Rev 1 SH-111002-00

THIS DOCUMENT CONTAINS PROPRIETARY INFORMATION WHICH IS THE PROPERTY OF QSC AUDIO PRODUCTS, THAT MAY NOT BE DISCLOSED, REPRODUCED OR USED WITHOUT EXPRESS WRITTEN CONSENT FROM QSC AUDIO PRODUCTS.



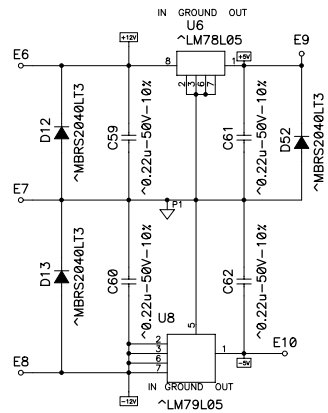
NOTES: UNLESS OTHERWISE SPECIFIED

**FULL BRIDGE CLASS D AMPLIFIER, FOR 2-WAY SPKR MODULE**

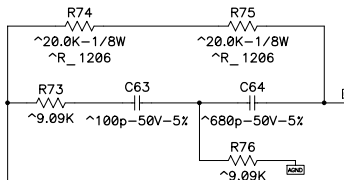
SIZE	FSCM NO.	DWG NO.	REV
D		SH-111002-00	B
SCALE	CAD FILE NO.	SH11002B.SCH	SHEET 2

THIS DOCUMENT CONTAINS PROPRIETARY INFORMATION WHICH IS THE PROPERTY OF OSC AUDIO PRODUCTS, THAT MAY NOT BE DISCLOSED, REPRODUCED OR USED WITHOUT EXPRESS WRITTEN CONSENT FROM OSC AUDIO PRODUCTS.

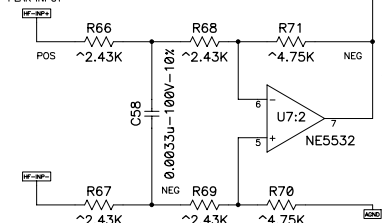
### 5V REGULATORS



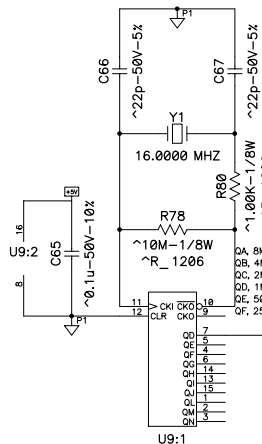
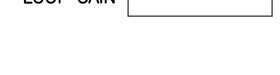
### GLOBAL FEEDBACK HF-SPKR



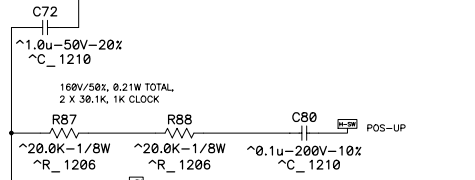
### BUFFER-GAIN



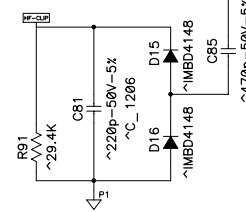
### LOOP GAIN



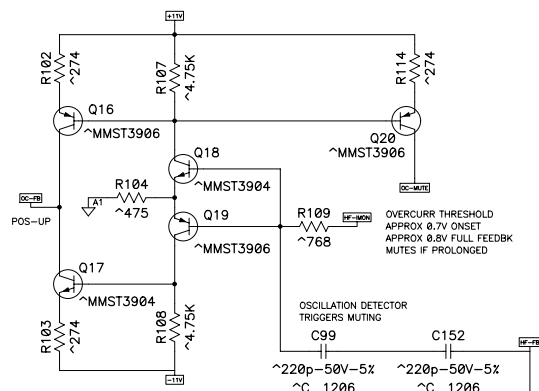
### TO HF CLOCK, AVG-VOLT +2.5V



### REVISED FOR CLIP-LO FLAG



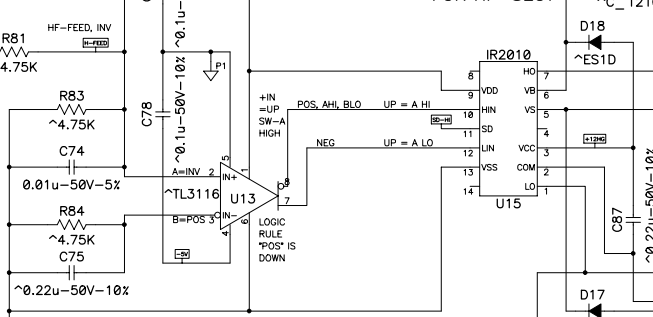
### OVERCURRENT FEEDBACK AND LONG-TERM MUTE



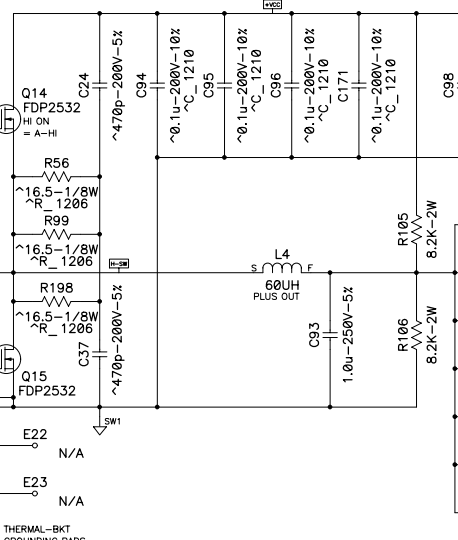
### NEAR GATE DRIVER



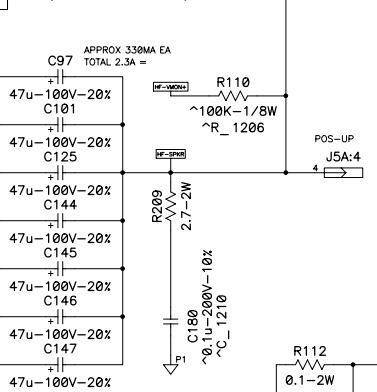
### GATE DRIVE FOR HF-SECT



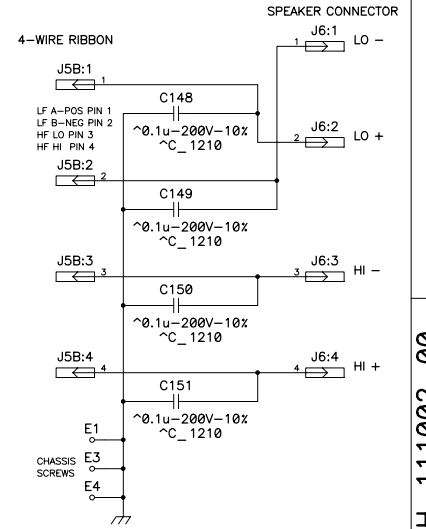
### STAGGERED PARALLEL BYPASS CAPS - SEE SH 1



### FILT CAPS SEE SH 1 (4 x 820-160V)



### HALF BRIDGE CLASS D AMPLIFIER, FOR HF SIDE OF 2-WAY MODULE

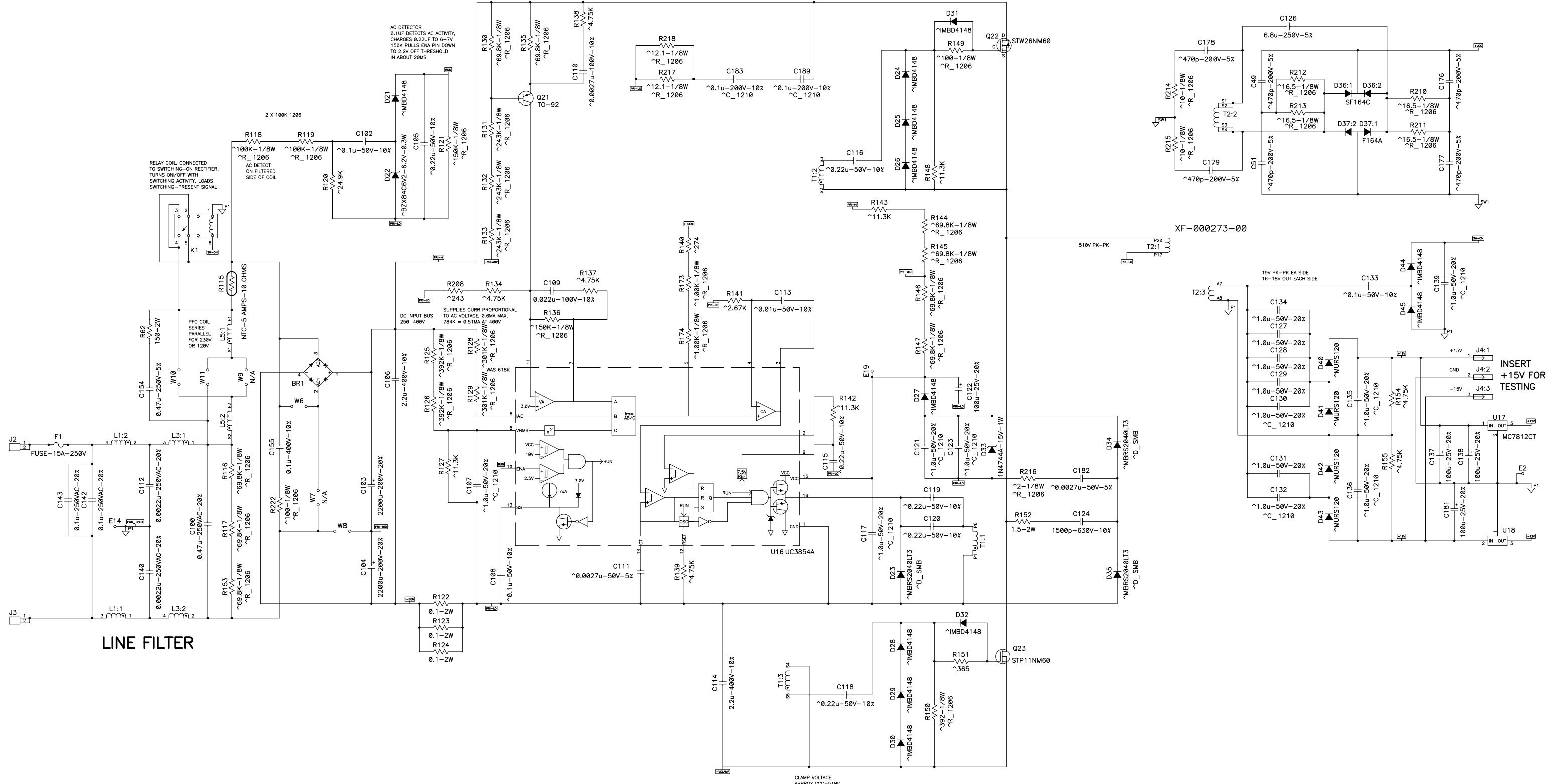


NOTES: UNLESS OTHERWISE SPECIFIED

SIZE	FSCM NO.	DWG NO.	REV
D		SH-111002-00	B
SCALE	CAD FILE NO.	SH111002/B.SCH	SHEET 3

SH-111002-00  
B 3

THIS DOCUMENT CONTAINS PROPRIETARY INFORMATION WHICH IS THE PROPERTY OF OSC AUDIO PRODUCTS, THAT MAY NOT BE DISCLOSED, REPRODUCED OR USED WITHOUT EXPRESS WRITTEN CONSENT FROM OSC AUDIO PRODUCTS.



NOTES: UNLESS OTHERWISE SPECIFIED

SIZE	FSCM NO.	DWG NO.	REV
D		SH-111002-00	B
SCALE	CAD FILE NO.	SH111002B.SCH	SHEET 4

B 4 SH-111002-00