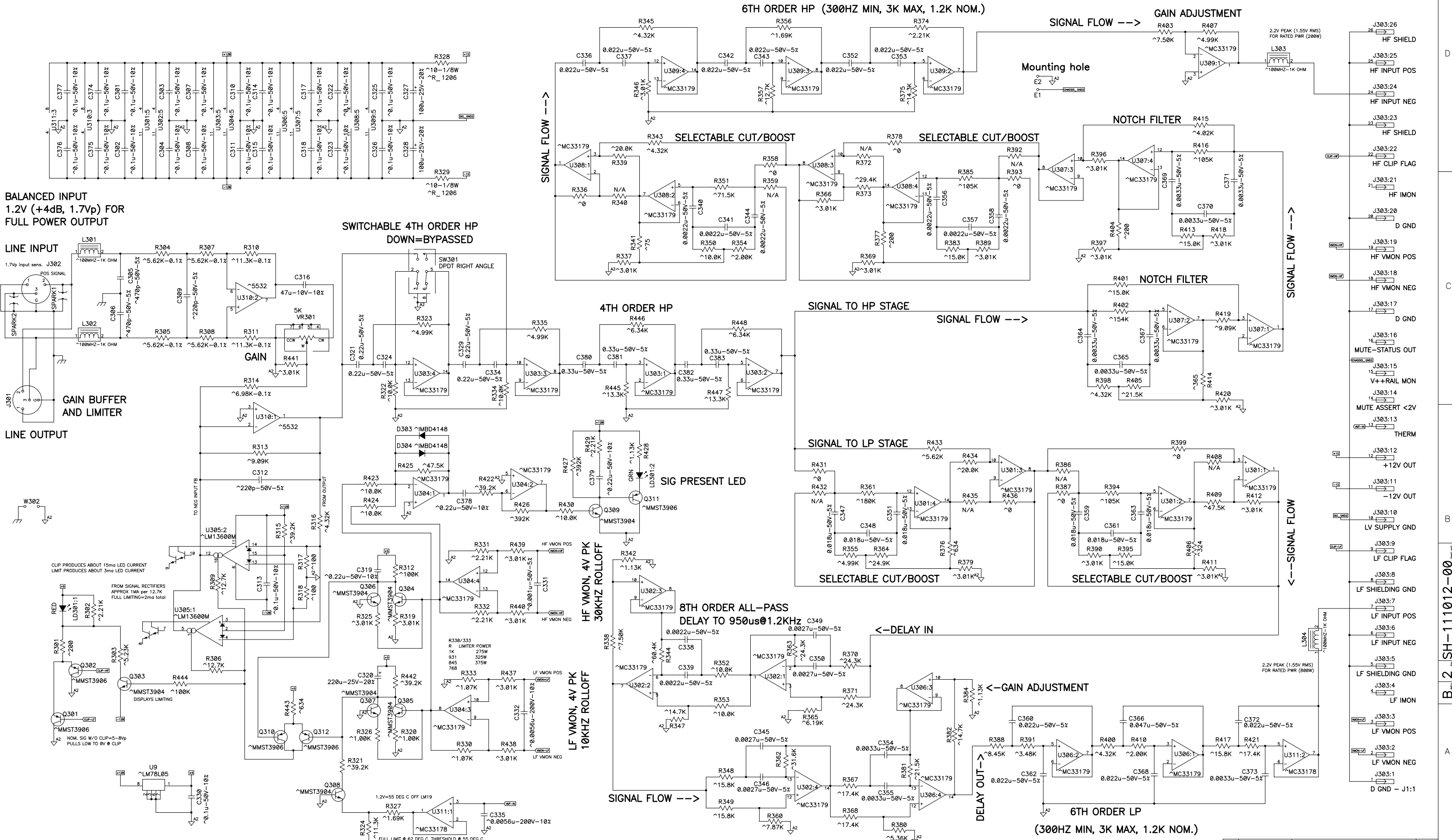




THIS DOCUMENT CONTAINS PROPRIETARY INFORMATION WHICH IS THE PROPERTY OF OSC AUDIO PRODUCTS. THAT MAY NOT BE DISCLOSED, REPRODUCED OR USED WITHOUT EXPRESS WRITTEN CONSENT FROM OSC AUDIO PRODUCTS.



BALANCED INPUT  
1.2V (+4dB, 1.7Vp) FOR  
FULL POWER OUTPUT

LINE INPUT

GAIN BUFFER  
AND LIMITER

LINE OUTPUT

GAIN

TO NEG INPUT FB

FROM OUTPUT

CLIP PRODUCES ABOUT 15mA LED CURRENT  
LIMIT PRODUCES ABOUT 3mA LED CURRENT

FROM SIGNAL RECTIFIERS  
APPROX 1MA PER 12.7K  
FULL LIMITING=2mA TOTAL

NOM. SIG W/O CLIP=5-8Vp  
PULLS LOW TO 0V @ CLIP

1.2V=55 DEG C OFF LM19

FULL LIMIT @ 62 DEG C, THRESHOLD @ 55 DEG C

LF VMON, 4V PK  
10KHZ ROLLOFF

HF VMON, 4V PK  
30KHZ ROLLOFF

8TH ORDER ALL-PASS  
DELAY TO 950us@1.2KHZ

6TH ORDER LP  
(300HZ MIN, 3K MAX, 1.2K NOM.)

6TH ORDER HP (300HZ MIN, 3K MAX, 1.2K NOM.)

SELECTABLE CUT/BOOST

SELECTABLE CUT/BOOST

NOTCH FILTER

NOTCH FILTER

4TH ORDER HP

SIGNAL TO HP STAGE

SIGNAL TO LP STAGE

SIGNAL TO LP STAGE

SIGNAL TO LP STAGE

SIGNAL TO LP STAGE

SIGNAL TO LP STAGE

SIGNAL TO LP STAGE

SIGNAL TO LP STAGE

SIGNAL TO LP STAGE

SIGNAL TO LP STAGE

SIGNAL TO LP STAGE

SIGNAL TO LP STAGE

SIGNAL TO LP STAGE

SIGNAL TO LP STAGE

SIGNAL TO LP STAGE

SIGNAL TO LP STAGE

SIGNAL TO LP STAGE

SIGNAL TO LP STAGE

SIGNAL TO LP STAGE

SIGNAL TO LP STAGE

SIGNAL TO LP STAGE

SIGNAL TO LP STAGE

SIGNAL TO LP STAGE

SIGNAL TO LP STAGE

SIGNAL TO LP STAGE

SIGNAL TO LP STAGE

SIGNAL TO LP STAGE

SIGNAL TO LP STAGE

SIGNAL TO LP STAGE

SIGNAL TO LP STAGE

SIGNAL TO LP STAGE

SIGNAL TO LP STAGE

SIGNAL TO LP STAGE

SIGNAL TO LP STAGE

SIGNAL TO LP STAGE

SIGNAL TO LP STAGE

SIGNAL TO LP STAGE

SIGNAL TO LP STAGE

SIGNAL TO LP STAGE

SIGNAL TO LP STAGE

SIGNAL TO LP STAGE

SIGNAL TO LP STAGE

SIGNAL TO LP STAGE

SIGNAL TO LP STAGE

SIGNAL TO LP STAGE

SIGNAL TO LP STAGE

SIGNAL TO LP STAGE

SIGNAL TO LP STAGE

SIGNAL TO LP STAGE

SIGNAL TO LP STAGE

SIGNAL TO LP STAGE

SIGNAL TO LP STAGE

SIGNAL TO LP STAGE

SIGNAL TO LP STAGE

SIGNAL TO LP STAGE

SIGNAL TO LP STAGE

SIGNAL TO LP STAGE

SIGNAL TO LP STAGE

SIGNAL TO LP STAGE

SIGNAL TO LP STAGE

SIGNAL TO LP STAGE

SIGNAL TO LP STAGE

SIGNAL TO LP STAGE

SIGNAL TO LP STAGE

SIGNAL TO LP STAGE

SIGNAL TO LP STAGE

SIGNAL TO LP STAGE

SIGNAL TO LP STAGE

SIGNAL TO LP STAGE

SIGNAL TO LP STAGE

SIGNAL TO LP STAGE

SIGNAL TO LP STAGE

SIGNAL TO LP STAGE

SIGNAL TO LP STAGE

SIGNAL TO LP STAGE

SIGNAL TO LP STAGE

SIGNAL TO LP STAGE

SIGNAL TO LP STAGE

SIGNAL TO LP STAGE

SIGNAL TO LP STAGE

SIGNAL TO LP STAGE

SIGNAL TO LP STAGE

SIGNAL TO LP STAGE

SIGNAL TO LP STAGE

SIGNAL TO LP STAGE

SIGNAL TO LP STAGE

SIGNAL TO LP STAGE

SIGNAL TO LP STAGE

SIGNAL TO LP STAGE

SIGNAL TO LP STAGE

SIGNAL TO LP STAGE

SIGNAL TO LP STAGE

SIGNAL TO LP STAGE

SIGNAL TO LP STAGE

SIGNAL TO LP STAGE

SIGNAL TO LP STAGE

SIGNAL TO LP STAGE

SIGNAL TO LP STAGE

SIGNAL TO LP STAGE

SIGNAL TO LP STAGE

SIGNAL TO LP STAGE

SIGNAL TO LP STAGE

SIGNAL TO LP STAGE

SIGNAL TO LP STAGE

SIGNAL TO LP STAGE

SIGNAL TO LP STAGE

SIGNAL TO LP STAGE

SIGNAL TO LP STAGE

SIGNAL TO LP STAGE

SIGNAL TO LP STAGE

SIGNAL TO LP STAGE

SIGNAL TO LP STAGE

SIGNAL TO LP STAGE

SIGNAL TO LP STAGE

SIGNAL TO LP STAGE

SIGNAL TO LP STAGE

SIGNAL TO LP STAGE

SIGNAL TO LP STAGE

SIGNAL TO LP STAGE

SIGNAL TO LP STAGE

SIGNAL TO LP STAGE

SIGNAL TO LP STAGE

SIGNAL TO LP STAGE

SIGNAL TO LP STAGE

SIGNAL TO LP STAGE

SIGNAL TO LP STAGE

SIGNAL TO LP STAGE

SIGNAL TO LP STAGE

SIGNAL TO LP STAGE

SIGNAL TO LP STAGE

SIGNAL TO LP STAGE

SIGNAL TO LP STAGE

SIGNAL TO LP STAGE

SIGNAL TO LP STAGE

SIGNAL TO LP STAGE

SIGNAL TO LP STAGE

SIGNAL TO LP STAGE

SIGNAL TO LP STAGE

SIGNAL TO LP STAGE

SIGNAL TO LP STAGE

SIGNAL TO LP STAGE

SIGNAL TO LP STAGE

SIGNAL TO LP STAGE

SIGNAL TO LP STAGE

SIGNAL TO LP STAGE

SIGNAL TO LP STAGE

SIGNAL TO LP STAGE

SIGNAL TO LP STAGE

SIGNAL TO LP STAGE

SIGNAL TO LP STAGE

SIGNAL TO LP STAGE

SIGNAL TO LP STAGE

SIGNAL TO LP STAGE

SIGNAL TO LP STAGE

SIGNAL TO LP STAGE

SIGNAL TO LP STAGE

SIGNAL TO LP STAGE

SIGNAL TO LP STAGE

SIGNAL TO LP STAGE

SIGNAL TO LP STAGE

SIGNAL TO LP STAGE

SIGNAL TO LP STAGE

SIGNAL TO LP STAGE

SIGNAL TO LP STAGE

SIGNAL TO LP STAGE

SIGNAL TO LP STAGE

SIGNAL TO LP STAGE

SIGNAL TO LP STAGE

SIGNAL TO LP STAGE

SIGNAL TO LP STAGE

SIGNAL TO LP STAGE

SIGNAL TO LP STAGE

SIGNAL TO LP STAGE

SIGNAL TO LP STAGE

SIGNAL TO LP STAGE

SIGNAL TO LP STAGE

SIGNAL TO LP STAGE

SIGNAL TO LP STAGE

SIGNAL TO LP STAGE

SIGNAL TO LP STAGE

SIGNAL TO LP STAGE

SIGNAL TO LP STAGE

SIGNAL TO LP STAGE

SIGNAL TO LP STAGE

SIGNAL TO LP STAGE

SIGNAL TO LP STAGE

SIGNAL TO LP STAGE

SIGNAL TO LP STAGE

SIGNAL TO LP STAGE

SIGNAL TO LP STAGE

SIGNAL TO LP STAGE

SIGNAL TO LP STAGE

SIGNAL TO LP STAGE

SIGNAL TO LP STAGE

SIGNAL TO LP STAGE

SIGNAL TO LP STAGE

SIGNAL TO LP STAGE

SIGNAL TO LP STAGE

SIGNAL TO LP STAGE

SIGNAL TO LP STAGE

SIGNAL TO LP STAGE

SIGNAL TO LP STAGE

SIGNAL TO LP STAGE

SIGNAL TO LP STAGE

SIGNAL TO LP STAGE

SIGNAL TO LP STAGE

SIGNAL TO LP STAGE

SIGNAL TO LP STAGE

SIGNAL TO LP STAGE

SIGNAL TO LP STAGE

SIGNAL TO LP STAGE

SIGNAL TO LP STAGE

SIGNAL TO LP STAGE

SIGNAL TO LP STAGE

SIGNAL TO LP STAGE

SIGNAL TO LP STAGE

SIGNAL TO LP STAGE

SIGNAL TO LP STAGE

SIGNAL TO LP STAGE

SIGNAL TO LP STAGE

SIGNAL TO LP STAGE

SIGNAL TO LP STAGE

SIGNAL TO LP STAGE

SIGNAL TO LP STAGE

SIGNAL TO LP STAGE

SIGNAL TO LP STAGE

SIGNAL TO LP STAGE

SIGNAL TO LP STAGE

SIGNAL TO LP STAGE

SIGNAL TO LP STAGE

SIGNAL TO LP STAGE

SIGNAL TO LP STAGE

SIGNAL TO LP STAGE

SIGNAL TO LP STAGE

SIGNAL TO LP STAGE

SIGNAL TO LP STAGE

SIGNAL TO LP STAGE

SIGNAL TO LP STAGE