

COMBO 11

COMBO 11

COMBO 11

COMBO 11

COMBO 11

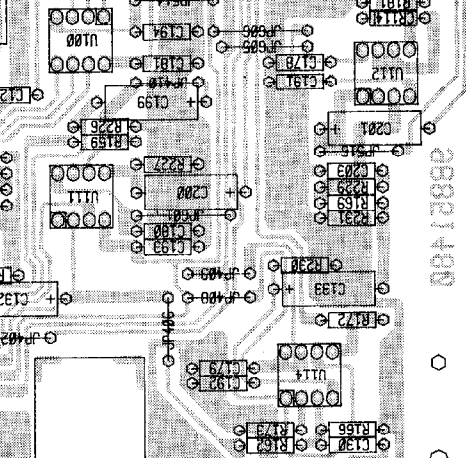
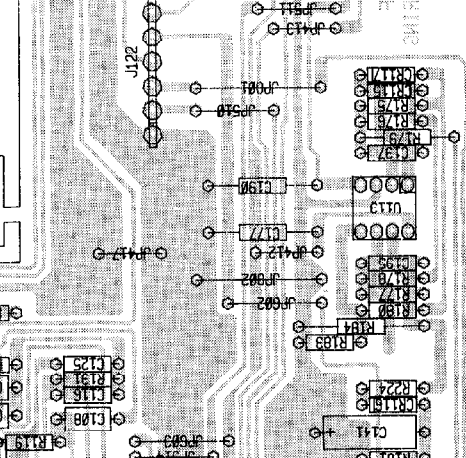
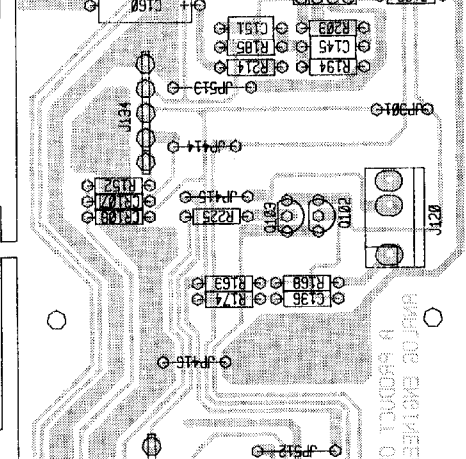
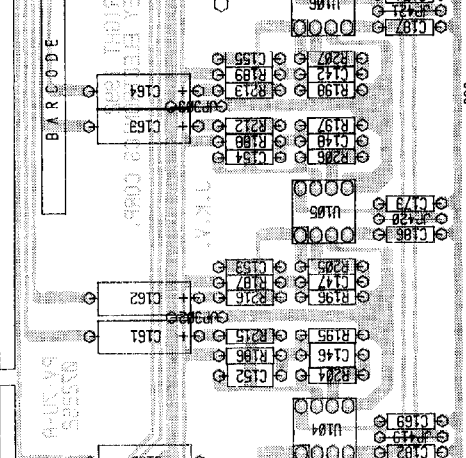
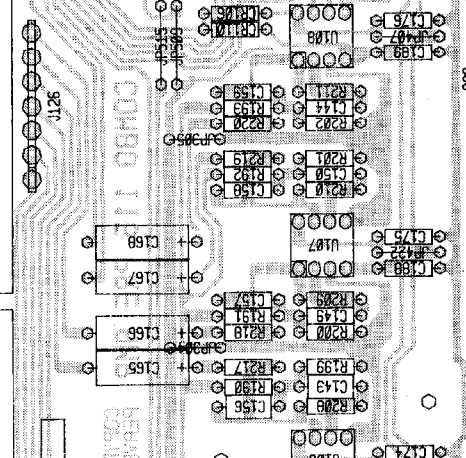
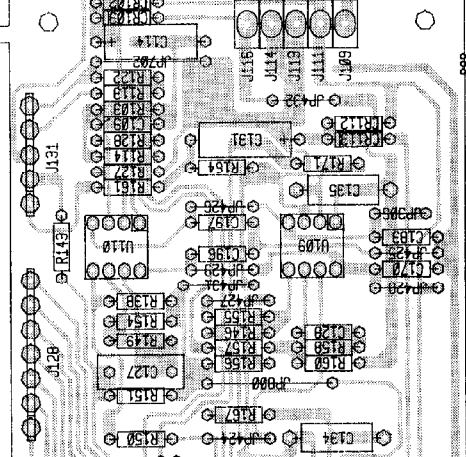
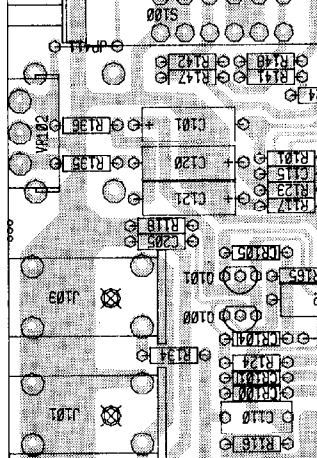
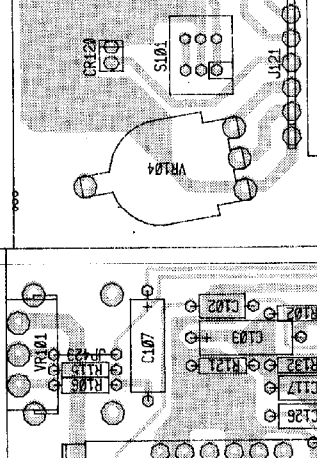
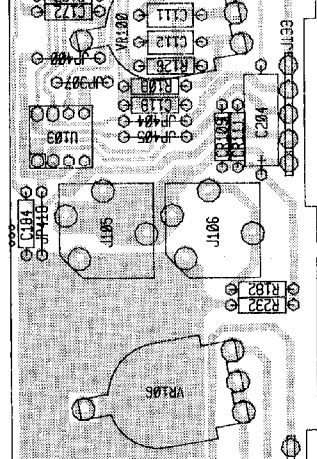
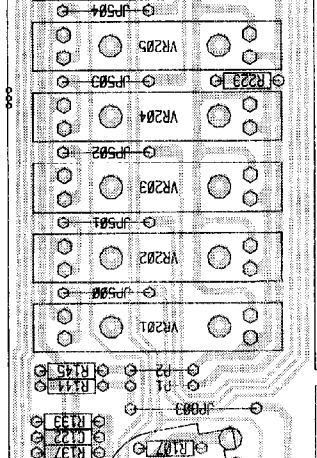
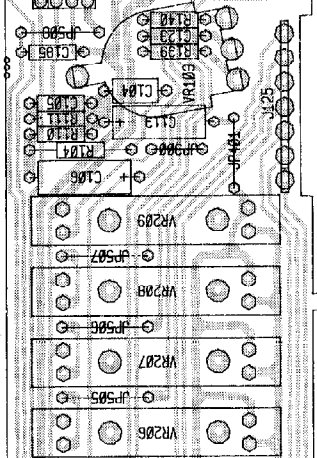
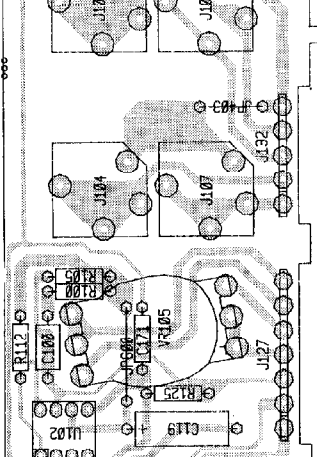
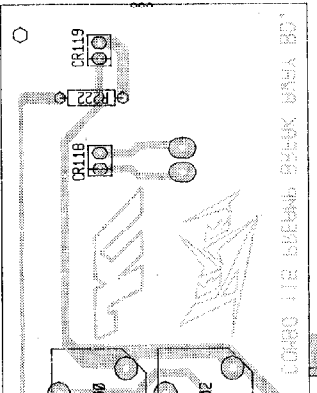
COMBO 11

COMBO 11

BAR CODE

SHAW ENGINEERING

28821400



COMBO 115

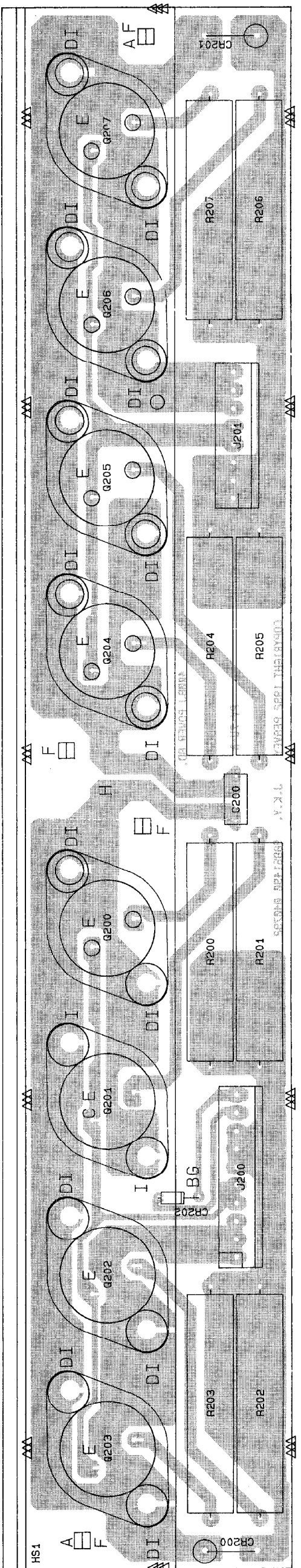
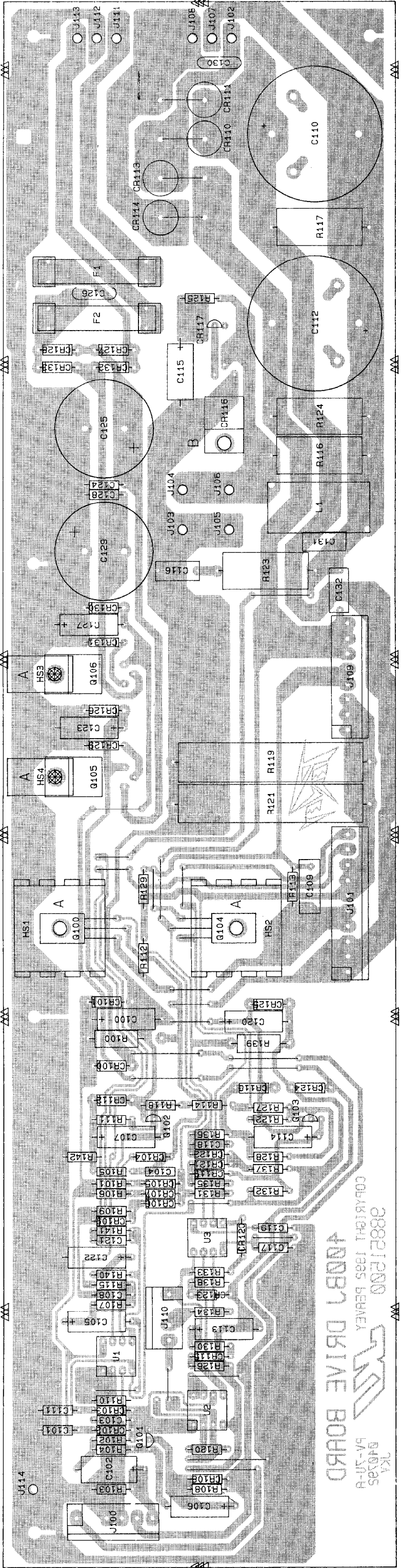
| NAME | VALUE | NUMBER | DESCRIPTION | | |
|------|----------|----------|-----------------------------|-------|---|
| C100 | .068 | 70340018 | .068 MFD 10% 50V MON T&R | C182 | .047P80 70340016 .047MFD+80-20 50V MON T&R |
| C101 | 22A25 | 70320012 | 22 MFD 25VDC LYT. CAP. T&R | C183 | .047P80 70340016 .047MFD+80-20 50V MON T&R |
| C102 | .1P10 | 70340101 | .1 MFD 50 VDC 10% MON.T&R | C184 | .047P80 70340016 .047MFD+80-20 50V MON T&R |
| C103 | 22A25 | 70320012 | 22 MFD 25VDC LYT. CAP. T&R | C185 | .047P80 70340016 .047MFD+80-20 50V MON T&R |
| C104 | .068 | 70340018 | .068 MFD 10% 50V MON T&R | C186 | .047P80 70340016 .047MFD+80-20 50V MON T&R |
| C105 | 100PF | 70340054 | 100PF 10% 50V TUB CER T&R | C187 | .047P80 70340016 .047MFD+80-20 50V MON T&R |
| C106 | 22A25 | 70320012 | 22 MFD 25VDC LYT. CAP. T&R | C188 | .047P80 70340016 .047MFD+80-20 50V MON T&R |
| C107 | 22A25 | 70320012 | 22 MFD 25VDC LYT. CAP. T&R | C189 | .047P80 70340016 .047MFD+80-20 50V MON T&R |
| C108 | .1P10 | 70340101 | .1 MFD 50 VDC 10% MON.T&R | C190 | .047P80 70340016 .047MFD+80-20 50V MON T&R |
| C109 | 39PF | 70340052 | 39PF 50V TUB CER T&R | C191 | .047P80 70340016 .047MFD+80-20 50V MON T&R |
| C110 | .1R250MY | 70320096 | .1 MFD 250 VDC MYLAR CA/BR | C192 | .047P80 70340016 .047MFD+80-20 50V MON T&R |
| C111 | .068 | 70340018 | .068 MFD 10% 50V MON T&R | C193 | .047P80 70340016 .047MFD+80-20 50V MON T&R |
| C112 | .068 | 70340018 | .068 MFD 10% 50V MON T&R | C194 | .047P80 70340016 .047MFD+80-20 50V MON T&R |
| C113 | 22A25 | 70320012 | 22 MFD 25VDC LYT. CAP. T&R | C195 | 100PF 70340054 100PF 10% 50V TUB CER T&R |
| C114 | 22A25 | 70320012 | 22 MFD 25VDC LYT. CAP. T&R | C196 | .047P80 70340016 .047MFD+80-20 50V MON T&R |
| C115 | 100PF | 70340054 | 100PF 10% 50V TUB CER T&R | C197 | .047P80 70340016 .047MFD+80-20 50V MON T&R |
| C116 | 100PF | 70340054 | 100PF 10% 50V TUB CER T&R | C199 | 22A25 70320012 22 MFD 25VDC LYT. CAP. T&R |
| C117 | .068 | 70340018 | .068 MFD 10% 50V MON T&R | C200 | 22A25 70320012 22 MFD 25VDC LYT. CAP. T&R |
| C118 | 470PF | 70340058 | 470PF 10% 50V TUB CER T&R | C201 | 22A25 70320012 22 MFD 25VDC LYT. CAP. T&R |
| C119 | 22A25 | 70320012 | 22 MFD 25VDC LYT. CAP. T&R | C203 | .01 70340011 .01 MFD 10% 50V T/C T&R |
| C120 | 22A25 | 70320012 | 22 MFD 25VDC LYT. CAP. T&R | C204 | 22A25 70320012 22 MFD 25VDC LYT. CAP. T&R |
| C121 | 22A25 | 70320012 | 22 MFD 25VDC LYT. CAP. T&R | C205 | .01 70340011 .01 MFD 10% 50V T/C T&R |
| C122 | 100PF | 70340054 | 100PF 10% 50V TUB CER T&R | CR100 | 1N4148 70464148 1N4148 75V 10MA SILICON DIODE |
| C123 | .0068 | 70340008 | .0068 MFD 10% 50V MON T&R | CR101 | 1N4148 70464148 1N4148 75V 10MA SILICON DIODE |
| C124 | .0068 | 70340008 | .0068 MFD 10% 50V MON T&R | CR102 | 1N4148 70464148 1N4148 75V 10MA SILICON DIODE |
| C125 | .015 | 70340010 | .015 MFD 10% 50V T/C T&R | CR103 | 1N4148 70464148 1N4148 75V 10MA SILICON DIODE |
| C126 | .068 | 70340018 | .068 MFD 10% 50V MON T&R | CR104 | 1N4148 70464148 1N4148 75V 10MA SILICON DIODE |
| C127 | .22R100M | 70330007 | .22 MFD 100VDC 5% MYLAR | CR105 | 1N4148 70464148 1N4148 75V 10MA SILICON DIODE |
| C128 | 100PF | 70340054 | 100PF 10% 50V TUB CER T&R | CR106 | 1N4148 70464148 1N4148 75V 10MA SILICON DIODE |
| C130 | .01 | 70340011 | .01 MFD 10% 50V T/C T&R | CR107 | 1N4148 70464148 1N4148 75V 10MA SILICON DIODE |
| C131 | 22A25 | 70320012 | 22 MFD 25VDC LYT. CAP. T&R | CR108 | 1N4148 70464148 1N4148 75V 10MA SILICON DIODE |
| C132 | 22A25 | 70320012 | 22 MFD 25VDC LYT. CAP. T&R | CR109 | 1N4148 70464148 1N4148 75V 10MA SILICON DIODE |
| C133 | 22A25 | 70320012 | 22 MFD 25VDC LYT. CAP. T&R | CR110 | 1N4148 70464148 1N4148 75V 10MA SILICON DIODE |
| C134 | .0075P2 | 70340091 | .0075 MFD 2% 50VDC POLY | CR111 | 1N4148 70464148 1N4148 75V 10MA SILICON DIODE |
| C135 | .0075P2 | 70340091 | .0075 MFD 2% 50VDC POLY | CR112 | 1N4148 70464148 1N4148 75V 10MA SILICON DIODE |
| C136 | .1 | 70340100 | .1 MFD +80-20LV AX.LP.T&R | CR113 | 1N4148 70464148 1N4148 75V 10MA SILICON DIODE |
| C137 | 100PF | 70340054 | 100PF 10% 50V TUB CER T&R | CR114 | 1N4148 70464148 1N4148 75V 10MA SILICON DIODE |
| C141 | 10A16L | 70320198 | 10 MFD LOW LEAKAGE C. * T&R | CR115 | 1N4148 70464148 1N4148 75V 10MA SILICON DIODE |
| C142 | .012 | 70340009 | .012 MFD 10 % 50V T/C T&R | CR116 | 1N4148 70464148 1N4148 75V 10MA SILICON DIODE |
| C143 | .068 | 70340018 | .068 MFD 10% 50V MON T&R | CR117 | 1N4148 70464148 1N4148 75V 10MA SILICON DIODE |
| C144 | .0068 | 70340008 | .0068 MFD 10% 50V MON T&R | CR118 | LEDYL2 70450579 SE-8731-D-YEL-25MM LDS REC |
| C145 | .1P10 | 70340101 | .1 MFD 50 VDC 10% MON.T&R | CR119 | LEDRD2 70450577 SE-8711-D-RD-25MM LDS REC |
| C146 | .1P10 | 70340101 | .1 MFD 50 VDC 10% MON.T&R | CR120 | LEDGN2 70450578 SE-8721 D GRN-25MM LD-REL |
| C147 | .033 | 70340014 | .033 MFD 10% 50V MON.T&R | J100 | 2THNINSP 71466214 2 TIP HID JACK NINS W/SPD |
| C148 | .022 | 70340012 | .022 MFD 10% 50V MON.T&R | J101 | RAMN6164 71466164 JK R/A 12.5MM NIN. MONO-88 |
| C149 | .033 | 70340014 | .033 MFD 10% 50V MON.T&R | J102 | 2THNINSP 71466214 2 TIP HID JACK NINS W/SPD |
| C150 | .015 | 70340010 | .015 MFD 10% 50V T/C T&R | J103 | RAMN6164 71466164 JK R/A 12.5MM NIN. MONO-88 |
| C151 | .1P10 | 70340101 | .1 MFD 50 VDC 10% MON.T&R | J104 | 2THNINSP 71466214 2 TIP HID JACK NINS W/SPD |
| C152 | .1P10 | 70340101 | .1 MFD 50 VDC 10% MON.T&R | J105 | 2THIINSP 71466215 2 TIP HID JACK INSU W/SPD |
| C153 | .033 | 70340014 | .033 MFD 10% 50V MON.T&R | J106 | 2THIINSP 71466215 2 TIP HID JACK INSU W/SPD |
| C154 | .022 | 70340012 | .022 MFD 10% 50V MON.T&R | J107 | 2THNINSP 71466214 2 TIP HID JACK NINS W/SPD |
| C155 | .012 | 70340009 | .012 MFD 10 % 50V T/C T&R | Q100 | J174 70400174 J174 30V TO 90 P CHAN FET |
| C156 | .068 | 70340018 | .068 MFD 10% 50V MON T&R | Q101 | J231 70400231 J-231-TO-92-N-CHAN, 40VFET |
| C157 | .033 | 70340014 | .033 MFD 10% 50V MON.T&R | Q102 | 2N5400 70400761 761/2N5400 120V 10MA PNP |
| C158 | .015 | 70340010 | .015 MFD 10% 50V T/C T&R | Q103 | J111 70400111 J-111 35V TO-92 N-FET LOW |
| C159 | .0068 | 70340008 | .0068 MFD 10% 50V MON T&R | R100 | 2.2K 70240020 2200-1/4W-5%-CF-T&R |
| C160 | 22A25 | 70320012 | 22 MFD 25VDC LYT. CAP. T&R | R101 | 47K 70240031 47K-1/4W-5%-CF-T&R |
| C161 | 22A25 | 70320012 | 22 MFD 25VDC LYT. CAP. T&R | R102 | 33K 70240030 33K-1/4W-5%-CF-T&R |
| C162 | 22A25 | 70320012 | 22 MFD 25VDC LYT. CAP. T&R | R103 | 68K 70240032 68K-1/4W-5%-CF-T&R |
| C163 | 22A25 | 70320012 | 22 MFD 25VDC LYT. CAP. T&R | R104 | 2.2K 70240020 2200-1/4W-5%-CF-T&R |
| C164 | 22A25 | 70320012 | 22 MFD 25VDC LYT. CAP. T&R | R105 | 4.7K 70240023 4700-1/4W-5%-CF-T&R |
| C165 | 22A25 | 70320012 | 22 MFD 25VDC LYT. CAP. T&R | R106 | 100 70240010 100-1/4W-5%-CF-T&R |
| C166 | 22A25 | 70320012 | 22 MFD 25VDC LYT. CAP. T&R | R107 | 10K 70240025 10K 1/4W-5%-CF-T&R |
| C167 | 22A25 | 70320012 | 22 MFD 25VDC LYT. CAP. T&R | R108 | 10K 70240025 10K-1/4W-5%-CF-T&R |
| C168 | 22A25 | 70320012 | 22 MFD 25VDC LYT. CAP. T&R | R109 | 22K 70240029 22K-1/4W-5%-CF-T&R |
| C169 | .047P80 | 70340016 | .047MFD+80-20 50V MON T&R | R110 | 4.7K 70240023 4700-1/4W-5%-CF-T&R |
| C170 | .047P80 | 70340016 | .047MFD+80-20 50V MON T&R | R111 | 4.7K 70240023 4700-1/4W-5%-CF-T&R |
| C171 | .047P80 | 70340016 | .047MFD+80-20 50V MON T&R | R112 | 4.7K 70240023 4700-1/4W-5%-CF-T&R |
| C172 | .047P80 | 70340016 | .047MFD+80-20 50V MON T&R | R113 | 1K 70240017 1K-1/4W-5%-CF-T&R |
| C173 | .047P80 | 70340016 | .047MFD+80-20 50V MON T&R | R114 | 22K 70240029 22K-1/4W-5%-CF-T&R |
| C174 | .047P80 | 70340016 | .047MFD+80-20 50V MON T&R | R115 | 22K 70240029 22K-1/4W-5%-CF-T&R |
| C175 | .047P80 | 70340016 | .047MFD+80-20 50V MON T&R | R116 | 220K 70240036 220K-1/4W-5%-CF-T&R |
| C176 | .047P80 | 70340016 | .047MFD+80-20 50V MON T&R | R117 | 10K 70240025 10K-1/4W-5%-CF-T&R |
| C177 | .047P80 | 70340016 | .047MFD+80-20 50V MON T&R | R118 | 47K 70240031 47K-1/4W-5%-CF-T&R |
| C178 | .047P80 | 70340016 | .047MFD+80-20 50V MON T&R | R119 | 47K 70240031 47K-1/4W-5%-CF-T&R |
| C179 | .047P80 | 70340016 | .047MFD+80-20 50V MON T&R | R121 | 10K 70240025 10K-1/4W-5%-CF-T&R |
| C180 | .047P80 | 70340016 | .047MFD+80-20 50V MON T&R | R122 | 10K 70240025 10K-1/4W-5%-CF-T&R |
| C181 | .047P80 | 70340016 | .047MFD+80-20 50V MON T&R | R123 | 22K 70240029 22K-1/4W-5%-CF-T&R |
| | | | | R124 | 1M 70240039 1M-1/4W-5%-CF-T&R |
| | | | | R125 | 22K 70240029 22K-1/4W-5%-CF-T&R |

COMBO 115

R126 3.3K 70240022 3300—1/4W—5%—CF—T&R
R127 68 70240009 68—1/4W—5%—CF—T&R
R128 22 70240007 22—1/4W—5%—CF—T&R
R131 33K 70240030 33K—1/4W—5%—CF—T&R
R132 47K 70240031 47K—1/4W—5%—CF—T&R
R133 10K 70240025 10K—1/4W—5%—CF—T&R
R134 22K 70240029 22K—1/4W—5%—CF—T&R
R135 470 70240015 470—1/4W—5%—CF—T&R
R136 2.7K 70240021 2700—1/4W—5%—CF—T&R
R137 10K 70240025 10K—1/4W—5%—CF—T&R
R138 22K 70240029 22K—1/4W—5%—CF—T&R
R139 2.7K 70240021 2700—1/4W—5%—CF—T&R
R140 2.7K 70240021 2700—1/4W—5%—CF—T&R
R141 10K 70240025 10K—1/4W—5%—CF—T&R
R142 10K 70240025 10K—1/4W—5%—CF—T&R
R143 1K 70240017 1K—1/4W—5%—CF—T&R
R144 10 70240003 10—1/4W—5%—CF—T&R
R145 10 70240003 10—1/4W—5%—CF—T&R
R146 12K 70240057 12K—1/4W—5%—CF—T&R
R147 100K 70240034 100K—1/4W—5%—CF—T&R
R148 100K 70240034 100K—1/4W—5%—CF—T&R
R149 22K 70240029 22K—1/4W—5%—CF—T&R
R150 22K 70240029 22K—1/4W—5%—CF—T&R
R151 4.7K 70240023 4700—1/4W—5%—CF—T&R
R152 1K 70240017 1K—1/4W—5%—CF—T&R
R154 22K 70240029 22K—1/4W—5%—CF—T&R
R155 33K 70240030 33K—1/4W—5%—CF—T&R
R156 33K 70240030 33K—1/4W—5%—CF—T&R
R157 12K 70240057 12K—1/4W—5%—CF—T&R
R158 33K 70240030 33K—1/4W—5%—CF—T&R
R159 1M 70240039 1M—1/4W—5%—CF—T&R
R160 33K 70240030 33K—1/4W—5%—CF—T&R
R161 1K 70240017 1K—1/4W—5%—CF—T&R
R162 22K 70240029 22K—1/4W—5%—CF—T&R
R163 10K 70240025 10K—1/4W—5%—CF—T&R
R164 4.7K 70240023 4700—1/4W—5%—CF—T&R
R165 47K 70240031 47K—1/4W—5%—CF—T&R
R166 680 70240016 680—1/4W—5%—CF—T&R
R167 10K 70240025 10K—1/4W—5%—CF—T&R
R168 47K 70240031 47K—1/4W—5%—CF—T&R
R169 22K 70240029 22K—1/4W—5%—CF—T&R
R171 10K 70240025 10K—1/4W—5%—CF—T&R
R172 22K 70240029 22K—1/4W—5%—CF—T&R
R173 680 70240016 680—1/4W—5%—CF—T&R
R174 47K 70240031 47K—1/4W—5%—CF—T&R
R175 68K 70240032 68K—1/4W—5%—CF—T&R
R176 68K 70240032 68K—1/4W—5%—CF—T&R
R177 47K 70240031 47K—1/4W—5%—CF—T&R
R178 47K 70240031 47K—1/4W—5%—CF—T&R
R179 10K 70240025 10K—1/4W—5%—CF—T&R
R180 47K 70240031 47K—1/4W—5%—CF—T&R
R181 100K 70240034 100K—1/4W—5%—CF—T&R
R182 1K 70240017 1K—1/4W—5%—CF—T&R
R183 47K 70240031 47K—1/4W—5%—CF—T&R
R184 10K 70240025 10K—1/4W—5%—CF—T&R
R185 82K 70240033 82K—1/4W—5%—CF—T&R
R186 47K 70240031 47K—1/4W—5%—CF—T&R
R187 47K 70240031 47K—1/4W—5%—CF—T&R
R188 47K 70240031 47K—1/4W—5%—CF—T&R
R189 47K 70240031 47K—1/4W—5%—CF—T&R
R190 4.7K 70240023 4700—1/4W—5%—CF—T&R
R191 4.7K 70240023 4700—1/4W—5%—CF—T&R
R192 4.7K 70240023 4700—1/4W—5%—CF—T&R
R193 4.7K 70240023 4700—1/4W—5%—CF—T&R
R194 10K 70240025 10K—1/4W—5%—CF—T&R
R195 4.7K 70240023 4700—1/4W—5%—CF—T&R
R196 12K 70240057 12K—1/4W—5%—CF—T&R
R197 4.7K 70240023 4700—1/4W—5%—CF—T&R
R198 4.7K 70240023 4700—1/4W—5%—CF—T&R
R199 470 70240015 470—1/4W—5%—CF—T&R
R200 470 70240015 470—1/4W—5%—CF—T&R
R201 470 70240015 470—1/4W—5%—CF—T&R
R202 470 70240015 470—1/4W—5%—CF—T&R
R203 180K 70240066 180K—1/4W—5%—CF—T&R
R204 100K 70240034 100K—1/4W—5%—CF—T&R
R205 100K 70240034 100K—1/4W—5%—CF—T&R
R206 100K 70240034 100K—1/4W—5%—CF—T&R
R207 100K 70240034 100K—1/4W—5%—CF—T&R
R208 10K 70240025 10K—1/4W—5%—CF—T&R
R209 10K 70240025 10K—1/4W—5%—CF—T&R

R210 10K 70240025 10K—1/4W—5%—CF—T&R
R211 10K 70240025 10K—1/4W—5%—CF—T&R
R212 1.5K 70240018 1500—1/4W—5%—CF—T&R
R213 1.5K 70240018 1500—1/4W—5%—CF—T&R
R214 1.5K 70240018 1500—1/4W—5%—CF—T&R
R215 1.5K 70240018 1500—1/4W—5%—CF—T&R
R216 1.5K 70240018 1500—1/4W—5%—CF—T&R
R217 1.5K 70240018 1500—1/4W—5%—CF—T&R
R218 1.5K 70240018 1500—1/4W—5%—CF—T&R
R219 1.5K 70240018 1500—1/4W—5%—CF—T&R
R220 1.5K 70240018 1500—1/4W—5%—CF—T&R
R222 1.5K 70240018 1500—1/4W—5%—CF—T&R
R223 10 70240003 10—1/4W—5%—CF—T&R
R224 100 70240010 100—1/4W—5%—CF—T&R
R225 1.5K 70240018 1500—1/4W—5%—CF—T&R
R226 47K 70240031 47K—1/4W—5%—CF—T&R
R227 220K 70240036 220K—1/4W—5%—CF—T&R
R228 22K 70240029 22K—1/4W—5%—CF—T&R
R229 22K 70240029 22K—1/4W—5%—CF—T&R
R230 68K 70240032 68K—1/4W—5%—CF—T&R
R231 47K 70240031 47K—1/4W—5%—CF—T&R
R232 10K 70240025 10K—1/4W—5%—CF—T&R
S100 DRASW 71322256 P.C.MNT SWITCH DUAL
S101 SUZPP 71322251 SUZ P/P SWITCH PC MOUNT
U100 4558 70404558 RC-4558,P DUAL BI-PKG 10
U102 4558 70404558 RC-4558,P DUAL BI-PKG 10
U103 4558 70404558 RC-4558,P DUAL BI-PKG 10
U104 4558 70404558 RC-4558,P DUAL BI-PKG 10
U105 4558 70404558 RC-4558,P DUAL BI-PKG 10
U106 4558 70404558 RC-4558,P DUAL BI-PKG 10
U107 4558 70404558 RC-4558,P DUAL BI-PKG 10
U108 4558 70404558 RC-4558,P DUAL BI-PKG 10
U109 4558 70404558 RC-4558,P DUAL BI-PKG 10
U110 4558 70404558 RC-4558,P DUAL BI-PKG 10
U111 4558 70404558 RC-4558,P DUAL BI-PKG 10
U112 4558 70404558 RC-4558,P DUAL BI-PKG 10
U113 4558 70404558 RC-4558,P DUAL BI-PKG 10
U114 13080 70413080 LM3080N CUSTOM SELECTED
VH100 50KBMS 71190304 50K LIN METRIC SPIDER
VR101 10KBVB 71190510 10K LIN MIN VPC W/BRKT
VR102 10KBVB 71190510 10K LIN MIN VPC W/BRKT
VR103 50KBMS 71190304 50K LIN METRIC SPIDER
VR104 10KBMS 71190306 10K LIN METRIC SPIDER
VR105 POT0322 71190322 100KA DUAL METRIC SPIDER
VR106 250KBMS 71190302 250K LIN METRIC SPIDER
VR201 SPOT0118 71190118 50KW 25MM SLIDE POT
VR202 SPOT0118 71190118 50KW 25MM SLIDE POT
VR203 SPOT0118 71190118 50KW 25MM SLIDE POT
VR204 SPOT0118 71190118 50KW 25MM SLIDE POT
VR205 SPOT0118 71190118 50KW 25MM SLIDE POT
VR206 SPOT0118 71190118 50KW 25MM SLIDE POT
VR207 SPOT0118 71190118 50KW 25MM SLIDE POT
VR208 SPOT0118 71190118 50KW 25MM SLIDE POT
VR209 SPOT0118 71190118 50KW 25MM SLIDE POT

(ALL MR752 DIODES ARE CATHODE DOWN.)

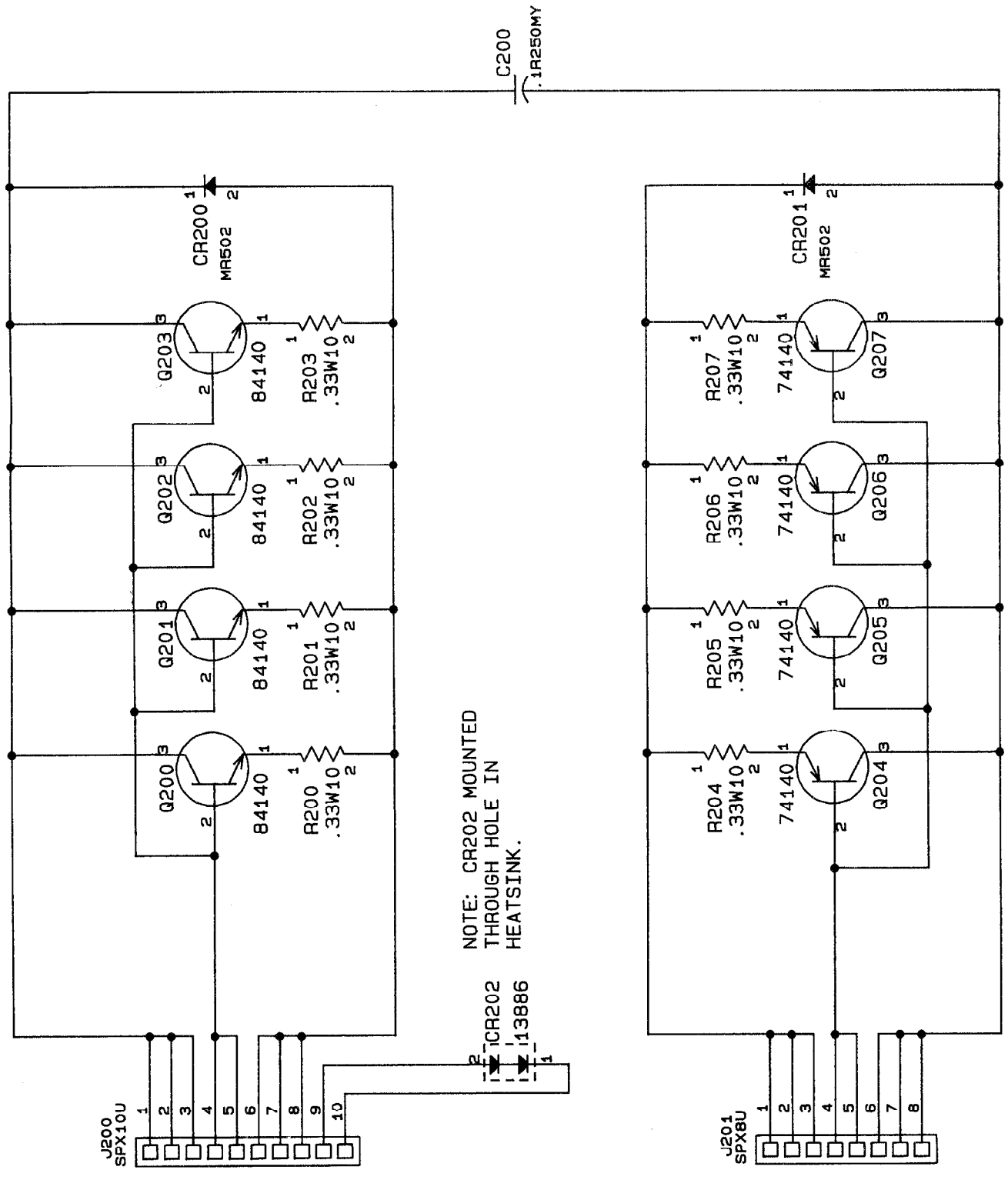


D

C

B

A



NOTE: CR202 MOUNTED THROUGH HOLE IN HEATSINK.

| | |
|---|-----------------------------------|
| PEAVEY ELECTRONICS CORP. 711 A STREET MERIDIAN, MISSISSIPPI 39301 | |
| TITLE | 400BJ POWER BOARD CB# 98851490 |
| SIZE | CODE NUMBER |
| B | 81505320 |
| PRINT | * |
| DATE | 16-SEP-92 |
| SHEET 1 OF 1 | |

8 7 6 5 4 3 2 1

8 7 6 5 4 3 2 1

400 BJ MODULE

DRIVE BD.

| NAME | VALUE | NUMBER | DESCRIPTION |
|-------|----------|----------|-------------------------------|
| C100 | 22A25 | 70320012 | 22 MFD 25VDC LYT. CAP. T&R |
| C101 | .1 | 70340100 | .1 MFD +80-20LV AX.LP.T&R |
| C102 | 2.2NP | 70320010 | 2.2 MFD 50V VDC N/PCAPT&R |
| C103 | 39PF | 70340052 | 39PF 50V TUB CER T&R |
| C104 | 100PF | 70340054 | 100PF 10% 50V TUB CER T&R |
| C105 | 22A25 | 70320012 | 22 MFD 25VDC LYT. CAP. T&R |
| C106 | 2.2A35 | 70320200 | 2.2MFD 35VDC LY.CAP T&R |
| C107 | 2.2A35 | 70320200 | 2.2MFD 35VDC LY.CAP T&R |
| C108 | 10PF | 70340050 | 10 PF 5% TUB.CER.T&R |
| C109 | .22R100 | 70330007 | .22 MFD 100VDC 5% MYLAR |
| C110 | 4700V63 | 70320120 | 4700UF/63 VOLT PC MNT CAP |
| C111 | .1 | 70340100 | .1 MFD +80-20LV AX.LP.T&R |
| C112 | 4700V63 | 70320120 | 4700UF/63 VOLT PC MNT CAP |
| C113 | 10A16L | 70320198 | 10 MFD LOW LEAKAGE C. * T&R |
| C114 | 2.2A35 | 70320200 | 2.2MFD 35VDC LY.CAP T&R |
| C115 | 2.2NP | 70320010 | 2.2 MFD 50V VDC N/PCAPT&R |
| C116 | .1R250MY | 70320096 | .1 MFD 250 VDC MYLAR CA/BR |
| C117 | .1 | 70340100 | .1 MFD +80-20LV AX.LP.T&R |
| C118 | 100PF | 70340054 | 100PF 10% 50V TUB CER T&R |
| C119 | .1 | 70340100 | .1 MFD +80-20LV AX.LP.T&R |
| C120 | 22A25 | 70320012 | 22 MFD 25VDC LYT. CAP. T&R |
| C121 | 10PF | 70340050 | 10 PF 5% TUB.CER.T&R |
| C122 | 22A25 | 70320012 | 22 MFD 25VDC LYT. CAP. T&R |
| C123 | 22A25 | 70320012 | 22 MFD 25VDC LYT. CAP. T&R |
| C124 | .1 | 70340100 | .1 MFD +80-20LV AX.LP.T&R |
| C125 | 1000R35 | 70320122 | 1000 MFD 35VDC R/M 22.5MM |
| C126 | .01CER | 70320099 | .01MFD 1000VDC CD-UNCUT |
| C127 | 22A25 | 70320012 | 22 MFD 25VDC LYT. CAP. T&R |
| C128 | .1 | 70340100 | .1 MFD +80-20LV AX.LP.T&R |
| C129 | 1000R35 | 70320122 | 1000 MFD 35VDC R/M 22.5MM |
| C130 | .01CER | 70320099 | .01MFD 1000VDC CD-UNCUT |
| C131 | .1R250MY | 70320096 | .1 MFD 250 VDC MYLAR CA/BR |
| C132 | .1R250MY | 70320096 | .1 MFD 250 VDC MYLAR CA/BR |
| CR100 | 1N4003 | 70464003 | 1N4003 200V SILICON DIODE |
| CR101 | 1N4744 | 70440102 | SZG40102 15V 5% ZENER DIO |
| CR102 | 1N4148 | 70464148 | 1N4148 75V 10MA SILICON DIODE |
| CR103 | 1N4148 | 70464148 | 1N4148 75V 10MA SILICON DIODE |
| CR104 | 1N4148 | 70464148 | 1N4148 75V 10MA SILICON DIODE |
| CR105 | 1N4148 | 70464148 | 1N4148 75V 10MA SILICON DIODE |
| CR106 | 1N4148 | 70464148 | 1N4148 75V 10MA SILICON DIODE |
| CR107 | 1N4148 | 70464148 | 1N4148 75V 10MA SILICON DIODE |
| CR108 | 1N4148 | 70464148 | 1N4148 75V 10MA SILICON DIODE |
| CR109 | 1N4148 | 70464148 | 1N4148 75V 10MA SILICON DIODE |
| CR110 | MR752CD | 70400752 | MR-752/P600D 200V,6A SLD |
| CR111 | MR752CD | 70400752 | MR-752/P600D 200V,6A SLD |
| CR112 | 1N4744 | 70440102 | SZG40102 15V 5% ZENER DIO |
| CR113 | MR752CD | 70400752 | MR-752/P600D 200V,6A SLD |
| CR114 | MR752CD | 70400752 | MR-752/P600D 200V,6A SLD |
| CR115 | 1N4148 | 70464148 | 1N4148 75V 10MA SILICON DIODE |
| CR116 | SAC187 | 70400187 | SAC 187 200V TO 220 TRI |
| CR117 | SBS14 | 70400014 | SBS14 8V TO-92 BI-DIR SW |
| CR118 | 1N4744 | 70440102 | SZG40102 15V 5% ZENER DIO |
| CR119 | 1N4148 | 70464148 | 1N4148 75V 10MA SILICON DIODE |
| CR120 | 1N4148 | 70464148 | 1N4148 75V 10MA SILICON DIODE |
| CR121 | 1N4148 | 70464148 | 1N4148 75V 10MA SILICON DIODE |
| CR122 | 1N4148 | 70464148 | 1N4148 75V 10MA SILICON DIODE |
| CR123 | 13886 | 70413886 | S2-13886-2 DUAL DIODE SEL |
| CR124 | 1N4003 | 70464003 | 1N4003 200V SILICON DIODE |
| CR125 | 1N4744 | 70440102 | SZG40102 15V 5% ZENER DIO |
| CR126 | 1N4003 | 70464003 | 1N4003 200V SILICON DIODE |
| CR127 | 1N4003 | 70464003 | 1N4003 200V SILICON DIODE |
| CR128 | 1N4003 | 70464003 | 1N4003 200V SILICON DIODE |
| CR129 | 1N4148 | 70464148 | 1N4148 75V 10MA SILICON DIODE |
| CR130 | 1N4003 | 70464003 | 1N4003 200V SILICON DIODE |
| CR131 | 1N4148 | 70464148 | 1N4148 75V 10MA SILICON DIODE |
| CR132 | 1N4003 | 70464003 | 1N4003 200V SILICON DIODE |
| CR133 | 1N4003 | 70464003 | 1N4003 200V SILICON DIODE |
| F1 | 1ASB | 70900379 | 1 AMP SLOW BLOW FUSE |
| F2 | 1ASB | 70900379 | 1 AMP SLOW BLOW FUSE |
| L1 | .8UH | 70519917 | .8UH AIR CORE COIL/CS1200 |
| Q100 | 5331 | 70405331 | SJE-5331 120V CASE-77 NPN |
| Q101 | J174 | 70400174 | J174 30V TO 90 P CHAN FET |
| Q102 | 6531 | 70406531 | MPS-6530/31 TO-92 NPN TRANS |
| Q103 | 6534 | 70406533 | MPS-6533/34 TO-92 PNP TRANS |
| Q104 | 5332 | 70405332 | SJE-5332 120V, CASE-77 PNP |
| Q105 | 7815T220 | 70400340 | 7815 15V 1A POS TO-220 RG |

| | | | |
|------|----------|----------|----------------------------|
| Q106 | 7915T220 | 70400320 | 7915 15V 1A NEG TO 220 RG |
| R100 | 2.7KW1 | 70210016 | 2700—1W—10%—MO—T&R |
| R101 | 1.5K | 70240018 | 1500—1/4W—5%—CF—T&R |
| R102 | 33K | 70240030 | 33K—1/4W—5%—CF—T&R |
| R103 | 47K | 70240031 | 47K—1/4W—5%—CF—T&R |
| R104 | 22K | 70240029 | 22K—1/4W—5%—CF—T&R |
| R105 | 15K | 70240027 | 15K—1/4W—5%—CF—T&R |
| R106 | 100K | 70240034 | 100K—1/4W—5%—CF—T&R |
| R107 | 1.82KP1 | 70241078 | 1.82K-1/4W—1%—CF—T&R |
| R108 | 1M | 70240039 | 1M—1/4W—5%—CF—T&R |
| R109 | 33 | 70240004 | 33—1/4W—5%—CF—T&R |
| R110 | 10K | 70240025 | 10K—1/4W—5%—CF—T&R |
| R111 | 6.8K | 70240024 | 6800—1/4W—5%—CF—T&R |
| R112 | 100FP | 70240096 | 100FP-1/4W—5%—FP—T&R |
| R113 | 180 | 70240012 | 180—1/4W—5%—CF—T&R |
| R114 | 330 | 70240014 | 330—1/4W—5%—CF—T&R |
| R115 | 47K | 70240031 | 47K—1/4W—5%—CF—T&R |
| R116 | 5.6W5 | 70250026 | 5.6—5W—10%—WW—AXL |
| R117 | 2KW5 | 70250063 | 2K—5W—10%—WW—AXL |
| R118 | 470 | 70240015 | 470—1/4W—5%—CF—T&R |
| R119 | .1W10 | 70250017 | .1 OHM, 10W, 10%, WW AXIAL |
| R120 | 100 | 70240010 | 100—1/4W—5%—CF—T&R |
| R121 | .1W10 | 70250017 | .1 OHM, 10W, 10%, WW AXIAL |
| R122 | 470 | 70240015 | 470—1/4W—5%—CF—T&R |
| R123 | 5.6W5 | 70250026 | 5.6—5W—10%—WW—AXL |
| R124 | 2KW5 | 70250063 | 2K—5W—10%—WW—AXL |
| R125 | 47K | 70240031 | 47K—1/4W—5%—CF—T&R |
| R126 | 10K | 70240025 | 10K—1/4W—5%—CF—T&R |
| R127 | 330 | 70240014 | 330—1/4W—5%—CF—T&R |
| R128 | 6.8K | 70240024 | 6800—1/4W—5%—CF—T&R |
| R129 | 100FP | 70240096 | 100FP-1/4W—5%—FP—T&R |
| R130 | 10K | 70240025 | 10K—1/4W—5%—CF—T&R |
| R131 | 1K | 70240017 | 1K—1/4W—5%—CF—T&R |
| R132 | 100K | 70240034 | 100K—1/4W—5%—CF—T&R |
| R133 | 2.7K | 70240021 | 2700—1/4W—5%—CF—T&R |
| R134 | 1.5K | 70240018 | 1500—1/4W—5%—CF—T&R |
| R135 | 1K | 70240017 | 1K—1/4W—5%—CF—T&R |
| R136 | 15K | 70240027 | 15K—1/4W—5%—CF—T&R |
| R137 | 1.5K | 70240018 | 1500—1/4W—5%—CF—T&R |
| R138 | 22K | 70240029 | 22K—1/4W—5%—CF—T&R |
| R139 | 2.7KW1 | 70210016 | 2700—1W—10%—MO—T&R |
| R140 | 1.82KP1 | 70241078 | 1.82K-1/4W—1%—CF—T&R |
| R141 | 47K | 70240031 | 47K—1/4W—5%—CF—T&R |
| R142 | 4.7 | 70240002 | 4.7—1/4W—5%—CF—T&R |
| U1 | 4558 | 70404558 | RC-4558,P DUAL BI-PKG 10 |
| U2 | 13080 | 70413080 | LM3080N CUSTOM SELECTED |
| U3 | 4558 | 70404558 | RC-4558,P DUAL BI-PKG 10 |

POWER BD.

| NAME | VALUE | NUMBER | DESCRIPTION |
|-------|----------|----------|----------------------------|
| C200 | .1R250MY | 70320096 | .1 MFD 250 VDC MYLAR CA/BR |
| CR200 | MR502 | 70400502 | MR502/1N5402 200V 3A SLD |
| CR201 | MR502 | 70400502 | MR502/1N5402 200V 3A SLD |
| CR202 | 13886 | 70413886 | S2-13886-2 DUAL DIODE SEL |
| Q200 | 84140 | 70484140 | SJ-84140 NPN 4A 140V TO-3 |
| Q201 | 84140 | 70484140 | SJ-84140 NPN 4A 140V TO-3 |
| Q202 | 84140 | 70484140 | SJ-84140 NPN 4A 140V TO-3 |
| Q203 | 84140 | 70484140 | SJ-84140 NPN 4A 140V TO-3 |
| Q204 | 74140 | 70474140 | SJ-74140 PNP 4A 140V TO-3 |
| Q205 | 74140 | 70474140 | SJ-74140 PNP 4A 140V TO-3 |
| Q206 | 74140 | 70474140 | SJ-74140 PNP 4A 140V TO-3 |
| Q207 | 74140 | 70474140 | SJ-74140 PNP 4A 140V TO-3 |
| R200 | .33W10 | 70250011 | .33—10W—10%—WW—AXL |
| R201 | .33W10 | 70250011 | .33—10W—10%—WW—AXL |
| R202 | .33W10 | 70250011 | .33—10W—10%—WW—AXL |
| R203 | .33W10 | 70250011 | .33—10W—10%—WW—AXL |
| R204 | .33W10 | 70250011 | .33—10W—10%—WW—AXL |
| R205 | .33W10 | 70250011 | .33—10W—10%—WW—AXL |
| R206 | .33W10 | 70250011 | .33—10W—10%—WW—AXL |
| R207 | .33W10 | 70250011 | .33—10W—10%—WW—AXL |