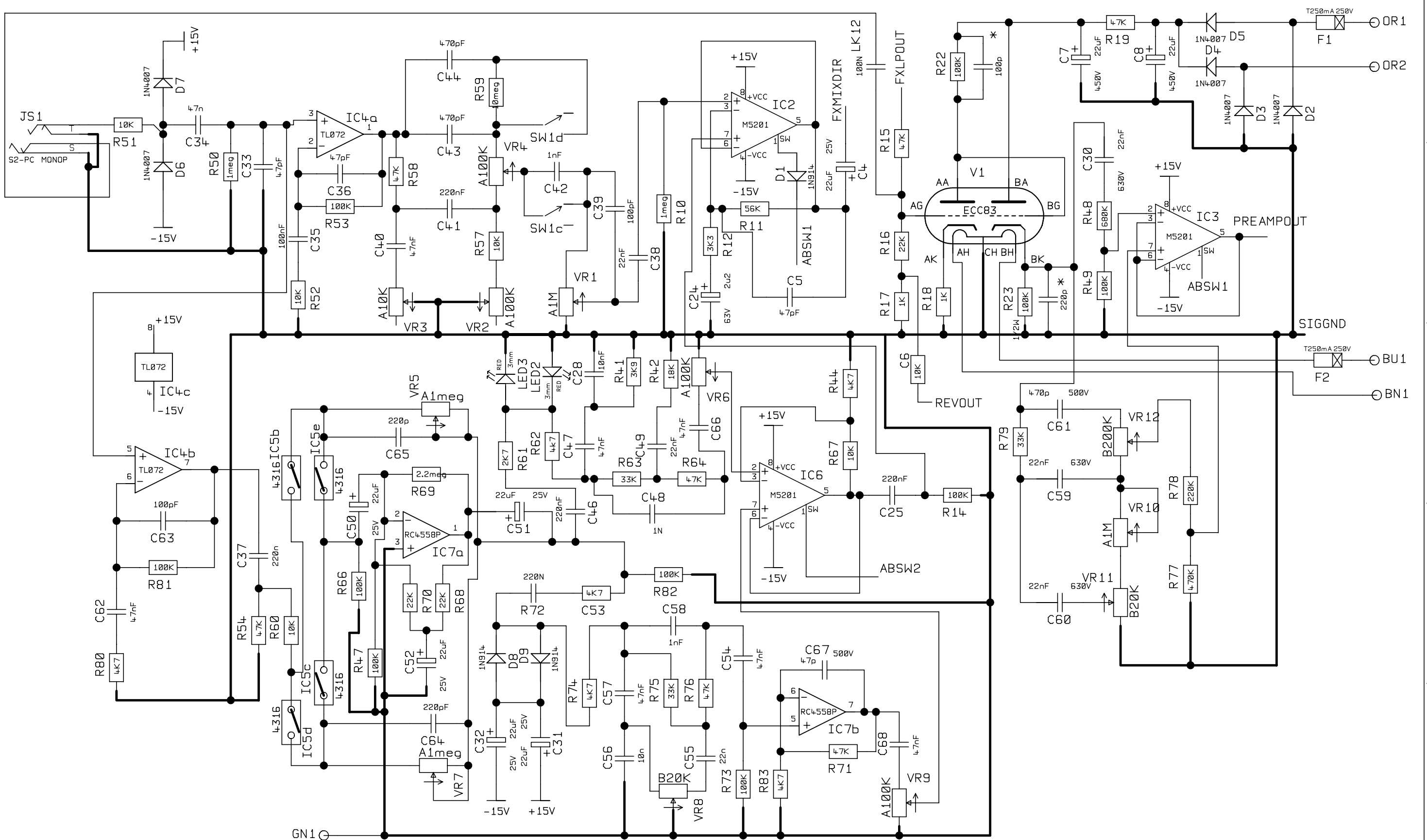


DWG.No.V100-60-02

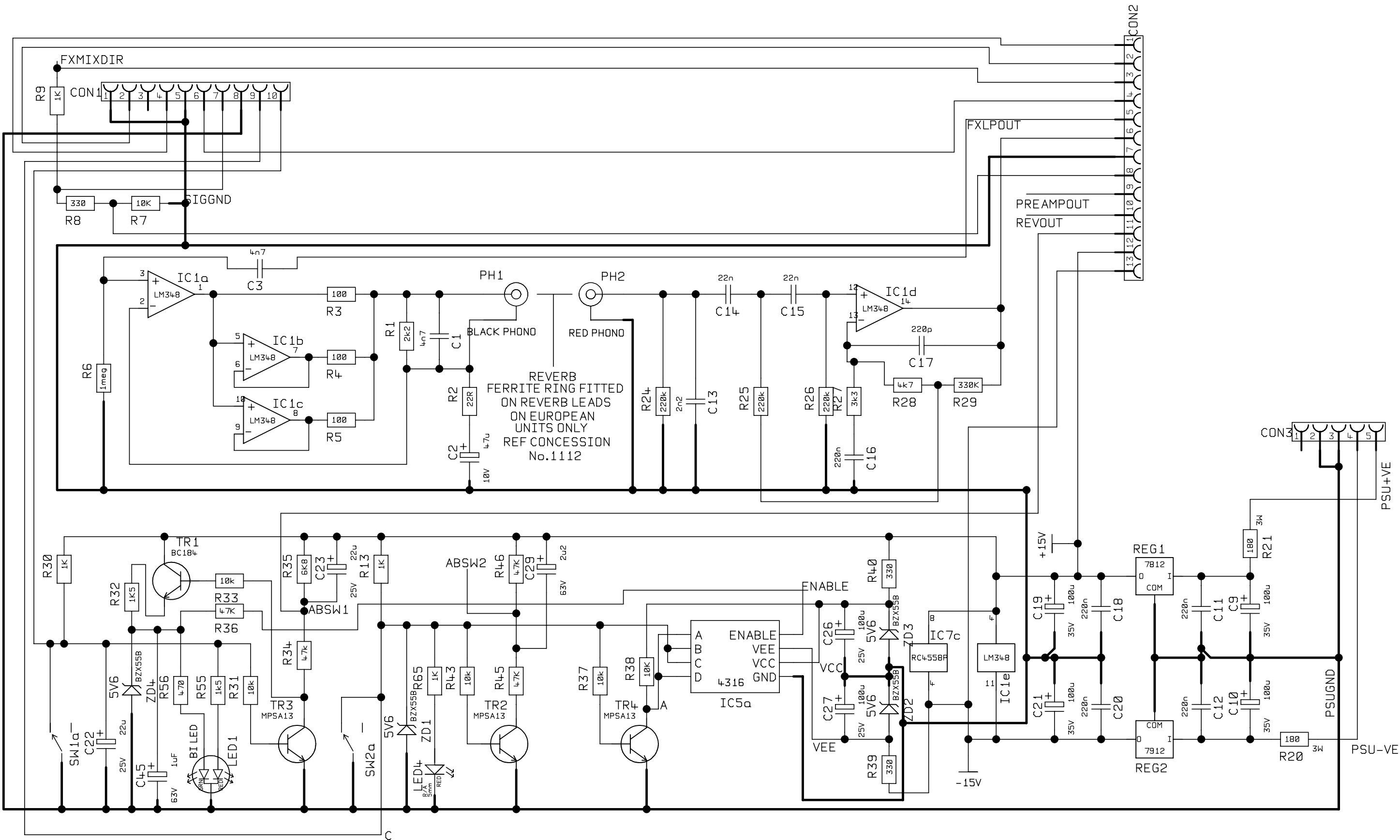


* CAPACITORS FITTED ON EUROPEAN UNITS ONLY. REF CONCESSION 1112

COMPONENTS C67 AND R41 NOT FITTED.

3		1164		26-04-96		A		E		J		N		MATERIAL		DIMENSIONS IN		 MARSHALL AMPLIFICATION PLC DENBIGH ROAD, BLETCHLEY, MILTON KEYNES, MK1 1DQ. TEL: (01908) 375111 FAX (01908) 376118		TITLE	
2		1110		13-2-96		B		F		K		P		MATERIAL THICKNESS		TOLERANCE (UNLESS OTHERWISE STATED)				PRE AMP PCB	
ISS		ECO NUMBER		DATE		C		G		L		Q		DRAWN SG		DATE 17_11_95				SHT 1 OF 2	
						D		H		M		R		CHECKED		DATE				DWG.No	
														APPROVED		DATE		V100-60-02			

ISS 3



REVERB
FERRITE RING FITTED
ON REVERB LEADS
ON EUROPEAN
UNITS ONLY
REF CONCESSION
No.1112

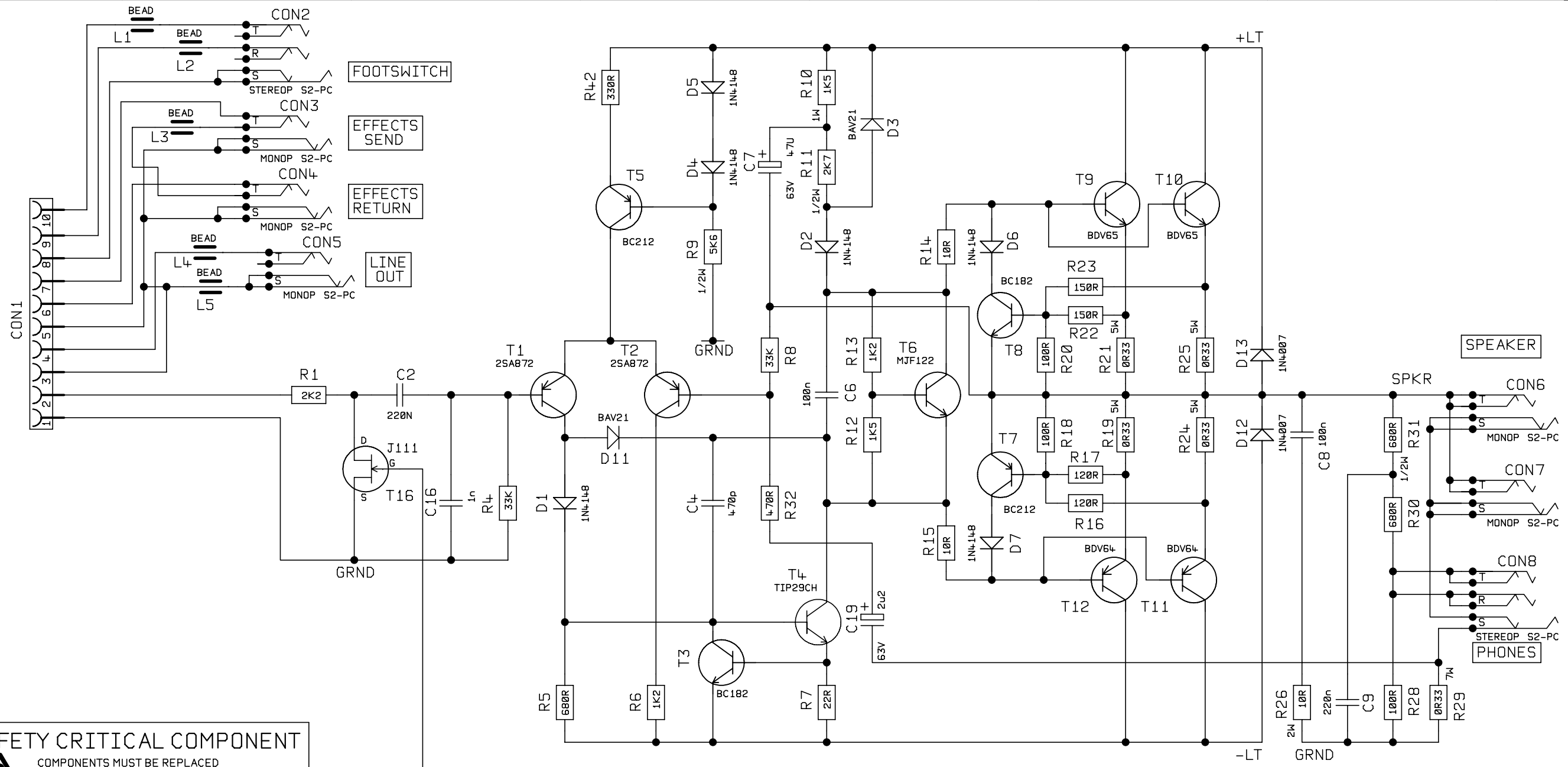
3	1164	26-04-96	A	F	J	N
2	1110	13-2-96	B	F	K	P
ISS	ECO NUMBER	DATE	C	G	L	Q
			D	H	M	R

MATERIAL THICKNESS		DRAWN SG		DATE 17 11 95	
CHECKED		DATE		MODEL VS100	
APPROVED		DATE			

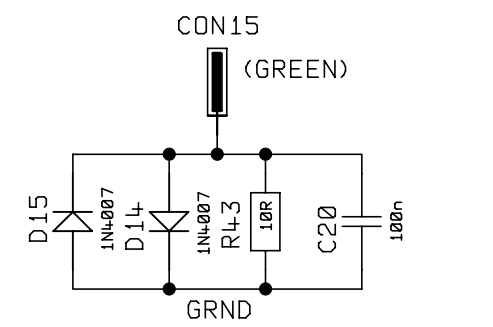
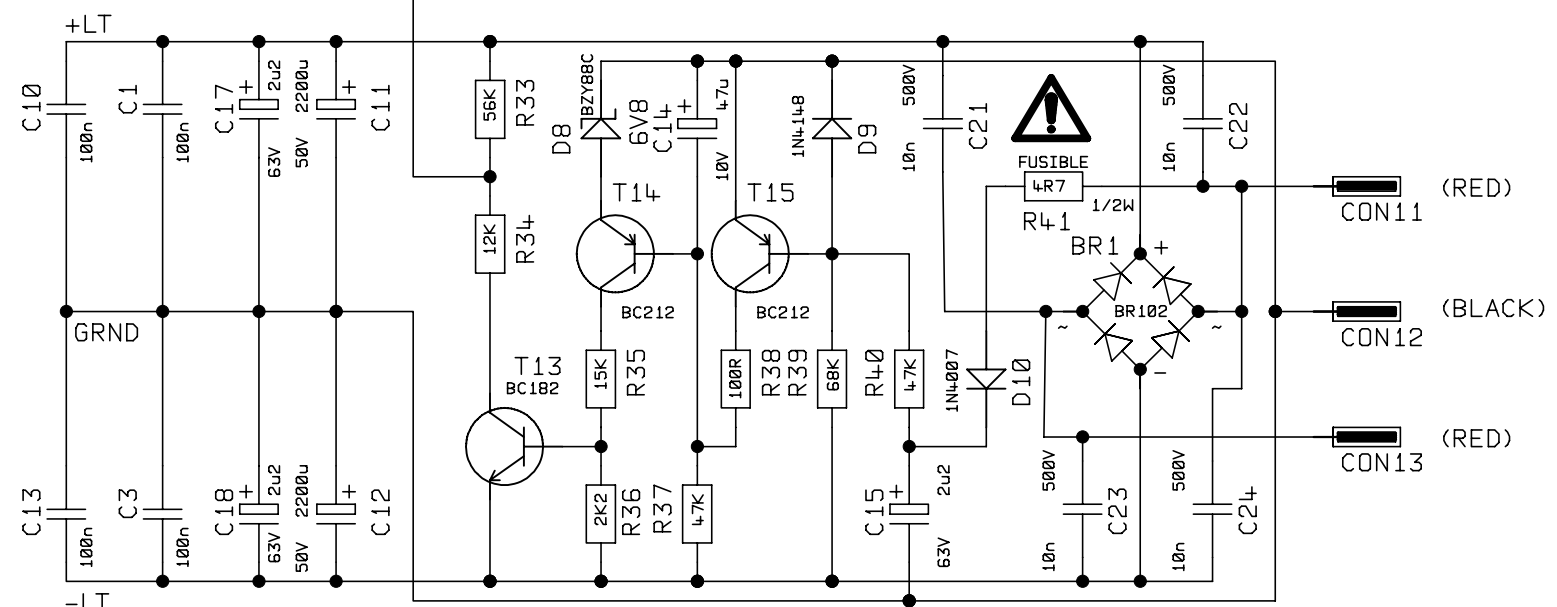
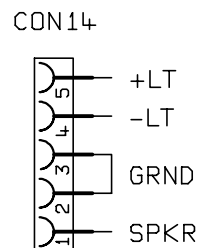


TITLE	PRE AMP PCB SHT 2 OF 2
DWG.No	V100-60-02
ISS	3

V100-62-02.DGM

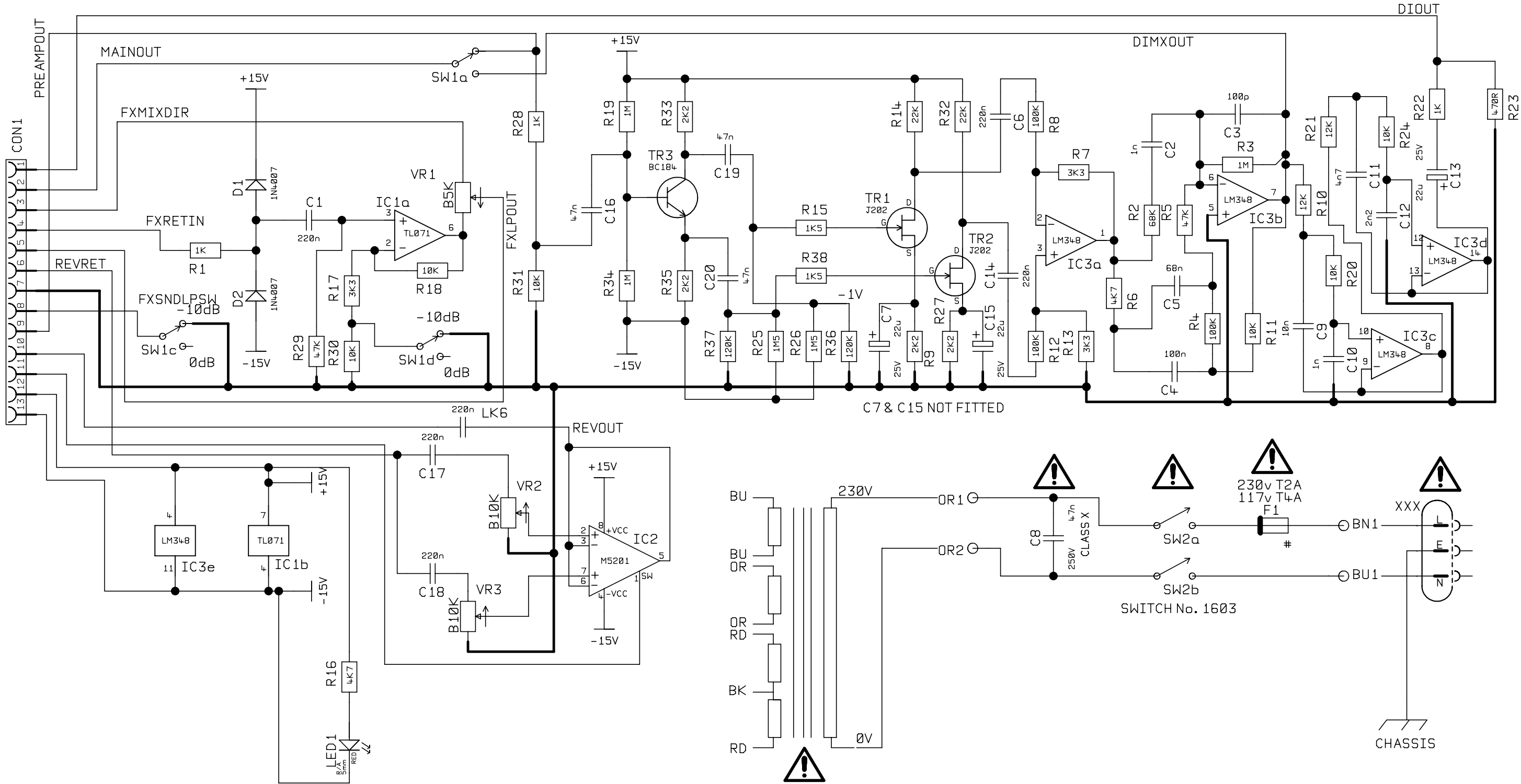


SAFETY CRITICAL COMPONENT
 COMPONENTS MUST BE REPLACED WITH THE SAME TYPE AND RATING ONLY



R27 & C5 NOT FITTED

2		1686/7	15/10/98	ALL OTHER HOLES =		X = (THROUGH PLATED)		MATERIAL		DIMENSIONS IN		 © JIM MARSHALL (PRODUCTS) LTD. DENBIGH ROAD, BLETCHLEY, MILTON KEYNES, MK1 1DQ. TEL: (0908)375411 FAX: (0908)376118	TITLE VS100 POWER MODULE DWG.No V100-62-02.DGM ISS 2
ISS	ECO NUMBER	DATE	D	A	E	J	N	MATERIAL THICKNESS	TOLERANCE (UNLESS OTHERWISE STATED)	MODEL			
				B	F	K	P	DRAWN B.KEIR	DATE 08.09.95				
				C	G	L	Q	CHECKED	DATE				
				D	H	M	R	APPROVED	DATE				



TRANSFORMER No.:-
 230V = 96B-1
 100V = 96B-5
 117V = 96B-4

4	1164	26-04-96	ALL OTHER HOLES =				X = (THROUGH PLATED)			
3	FUSE RATINGS REVERSED	14-2-96	A	E	J	N	B	F	K	P
2	1110	13-2-96	B	F	L	Q	C	G	M	R
ISS	ECO NUMBER	DATE	D	H	M	R				

MATERIAL		DIMENSIONS IN	
MATERIAL THICKNESS		TOLERANCE (UNLESS OTHERWISE STATED)	
DRAWN SG	DATE 14_9_95		
CHECKED	DATE	MODEL VS100	
APPROVED	DATE		



TITLE VS100 DAUGHTER PCB	
DWG.No V100-61-02	ISS 4