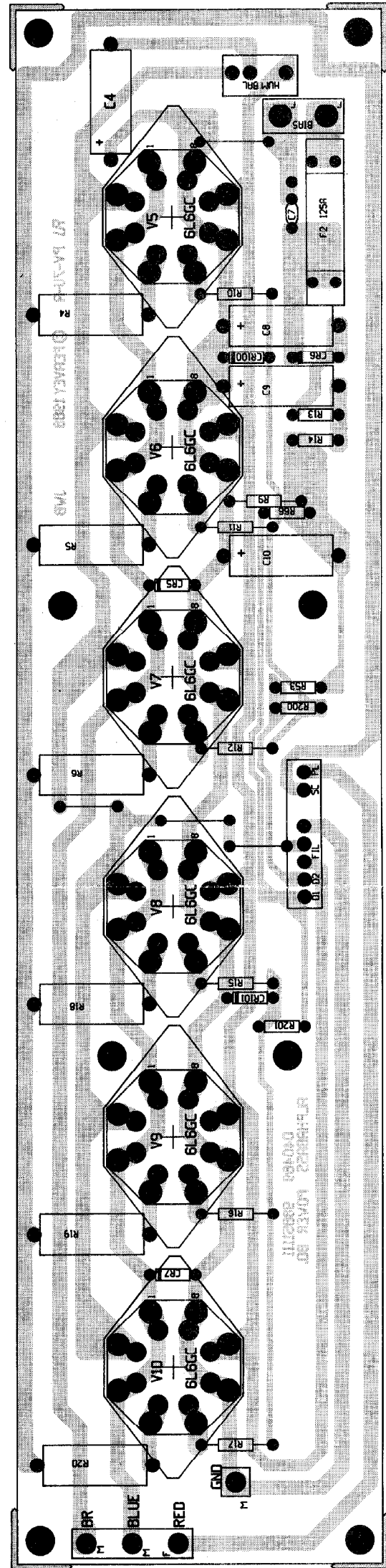
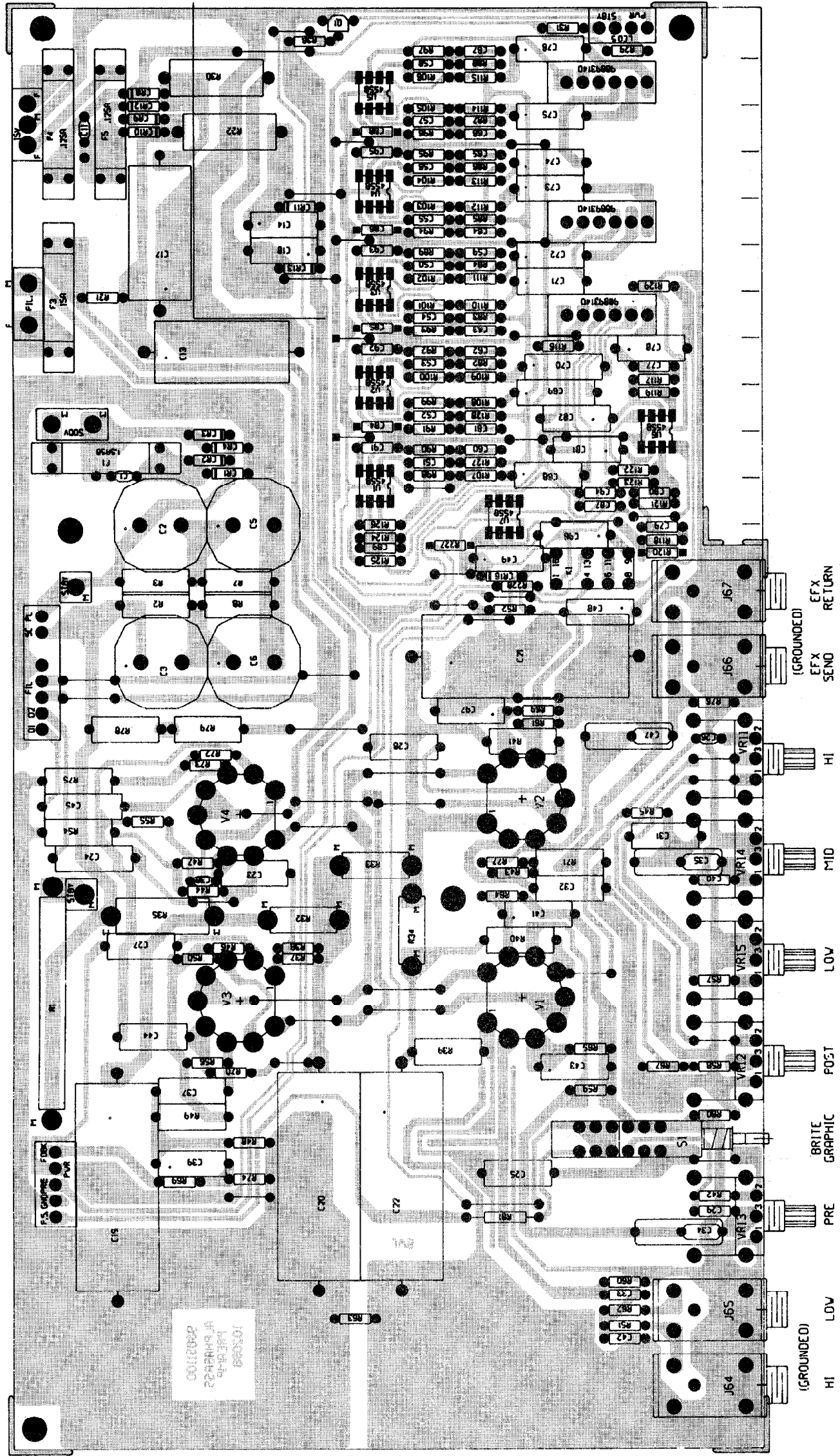
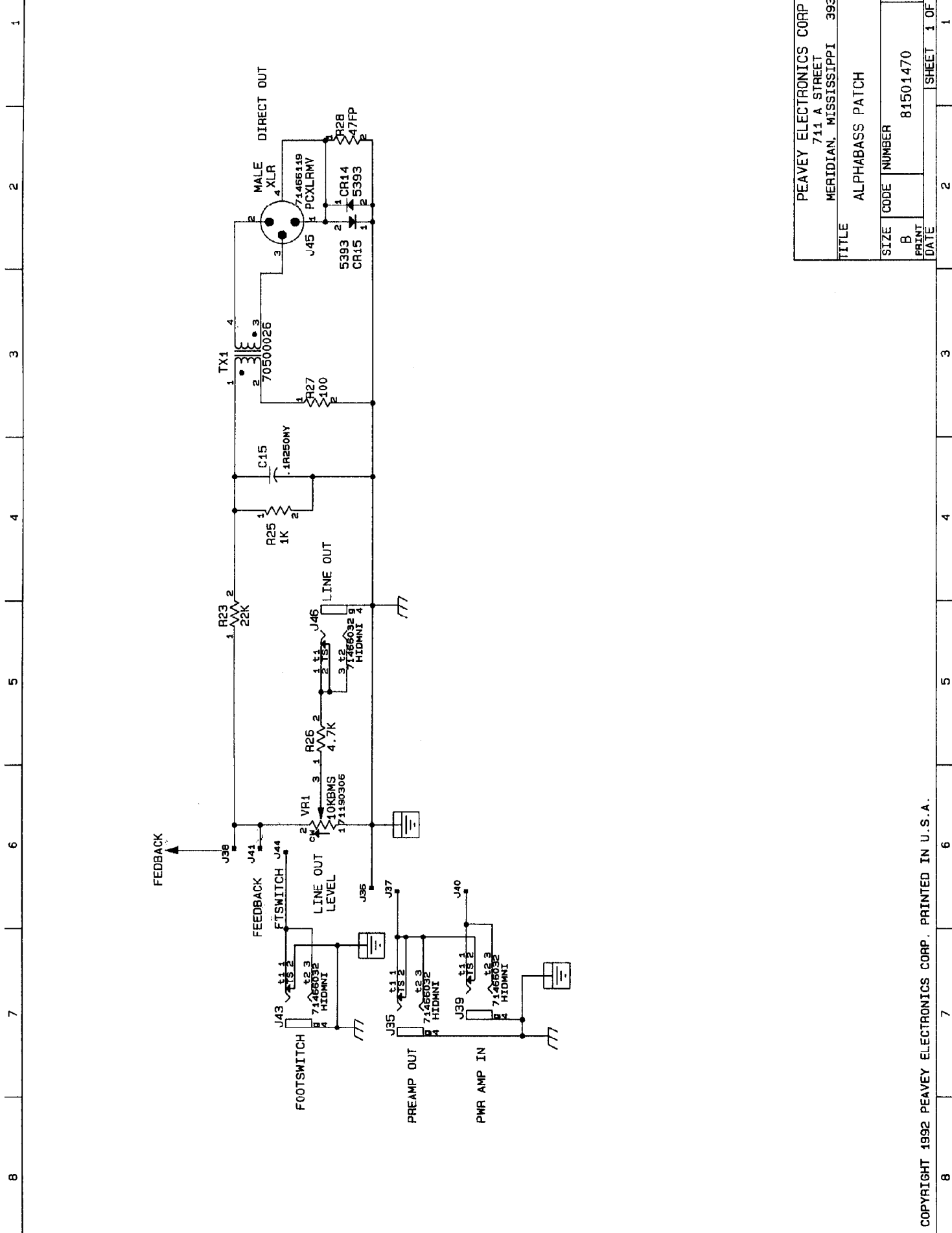


NOTE HIGHEST REF USED: R22B C97 J24 V4 G1 CR15 U7

PEAVEY ELECTRONICS	
711 A. ST.	
Meridian, MS 39301	
TITLE	
SIZE	REV
C	81501470
PRINT	*
DATE	
SHEET 1 OF 1	

Copyright 1992 Peavey Electronics Corp. Printed in U.S.A.





PEAVEY ELECTRONICS CORP.
 711 A STREET
 MERIDIAN, MISSISSIPPI 39301

TITLE
 ALPHABASS PATCH

SIZE
 B

CODE
 81501470

NUMBER
 *

REV
 *

PRINT
 DATE

SHEET 1 OF 1

1

2

3

4

5

6

7

8

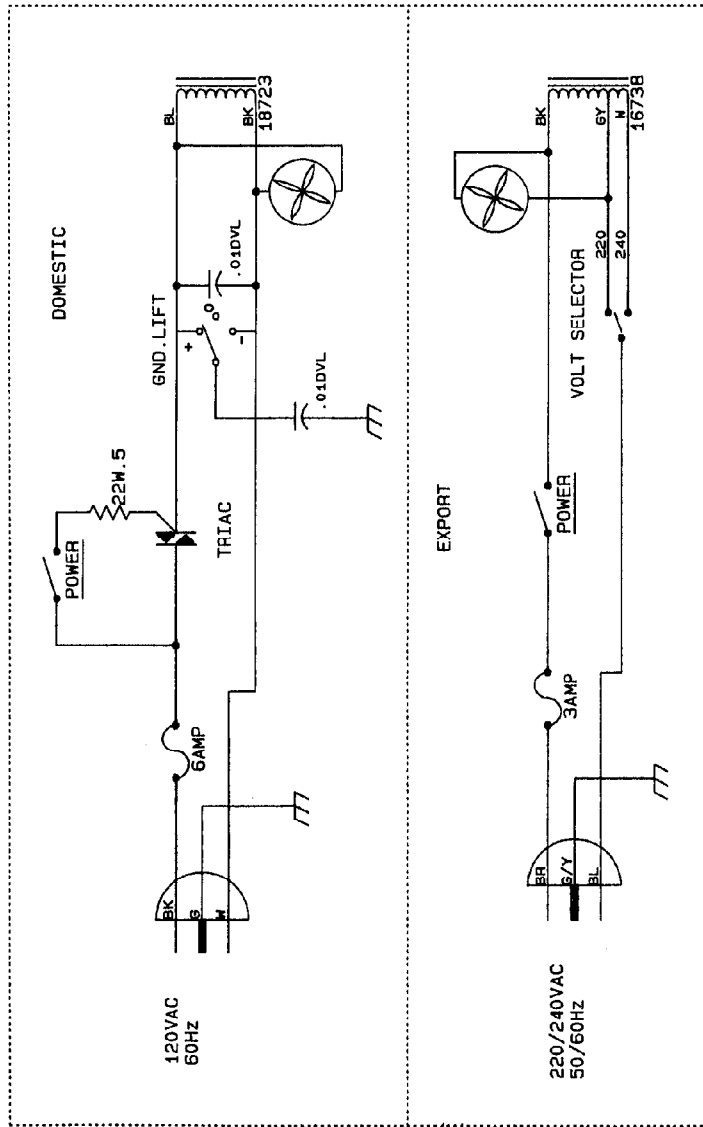
1 2 3 4 5 6 7 8

D

C

B

A



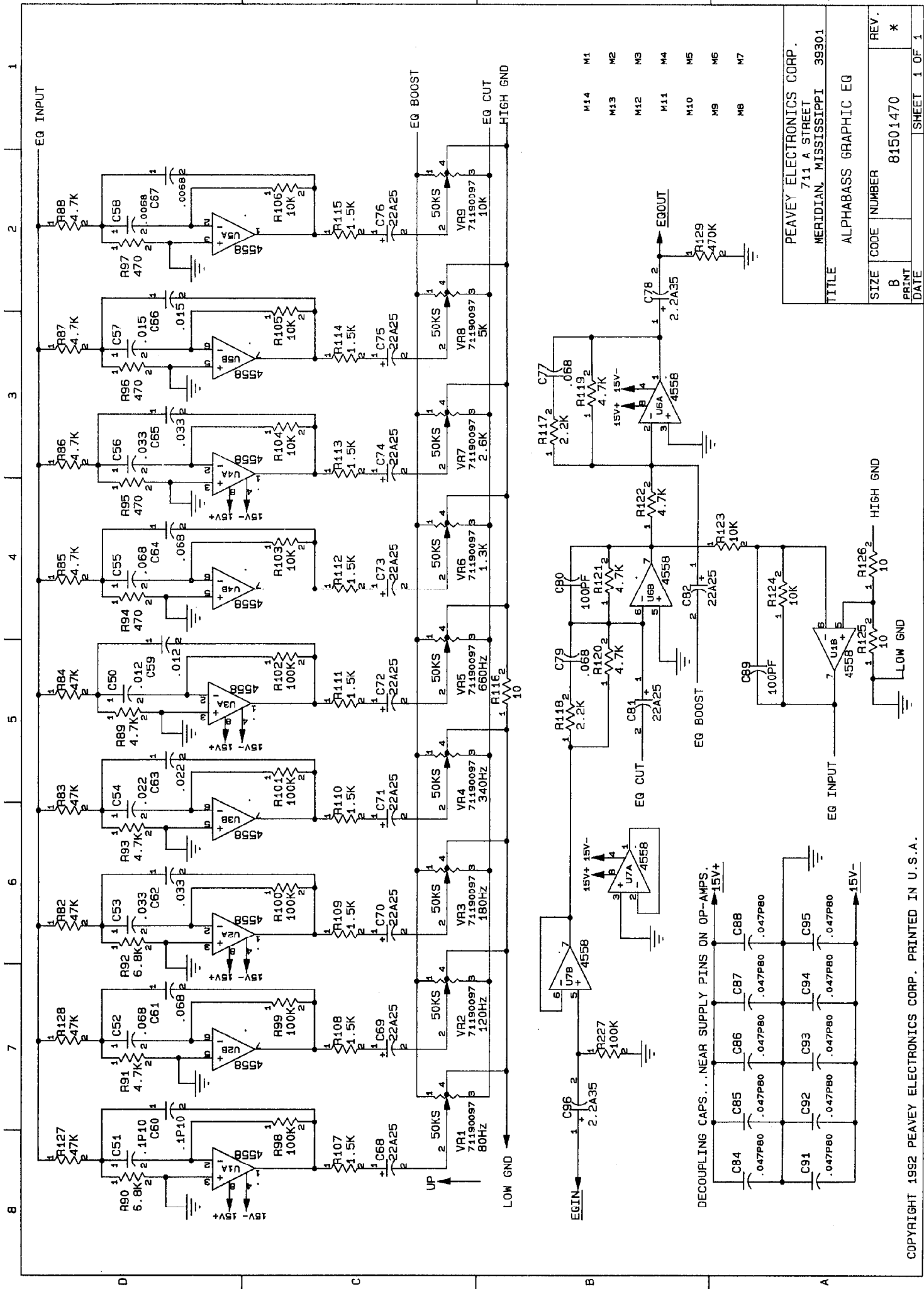
PEAVEY ELECTRONICS CORP. 711 A STREET MERIDIAN, MISSISSIPPI 39301	
TITLE ALPHABASS AC	
SIZE B	REV *
PRINT DATE	81501470
SHEET 1 OF 1	

D

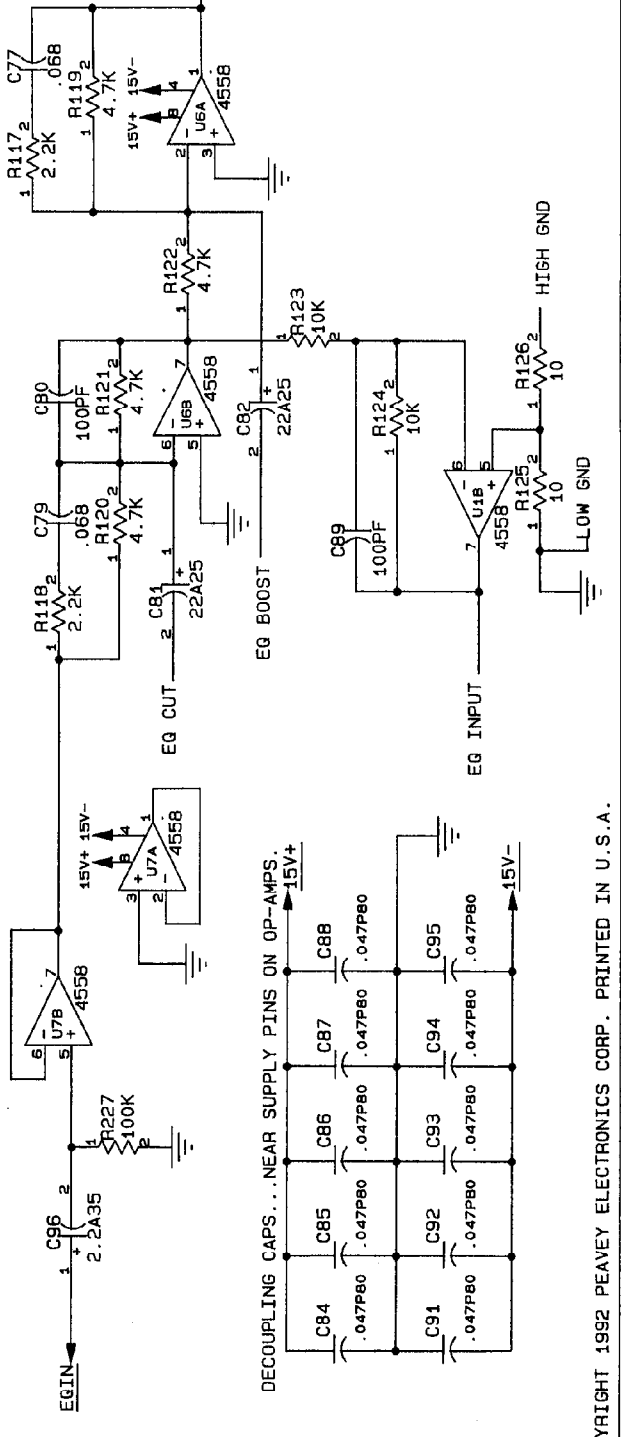
C

B

A



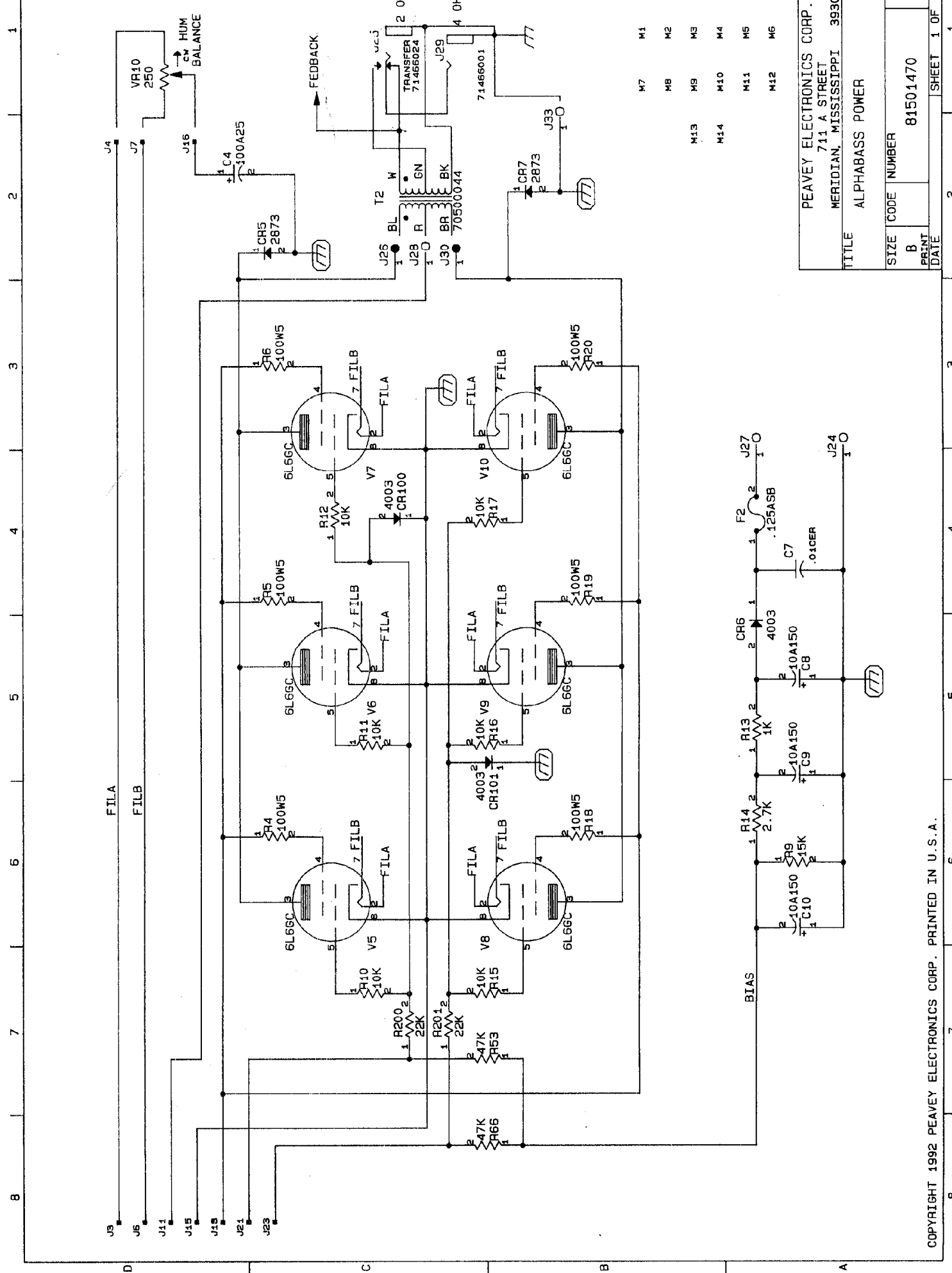
TITLE		PEAVEY ELECTRONICS CORP.	
SIZE		711 A STREET	
CODE		MERIDIAN, MISSISSIPPI	
NUMBER		39301	
PRINT		ALPHABASS GRAPHIC EQ	
DATE		REV. *	
		81501470	
		SHEET 1 OF 1	



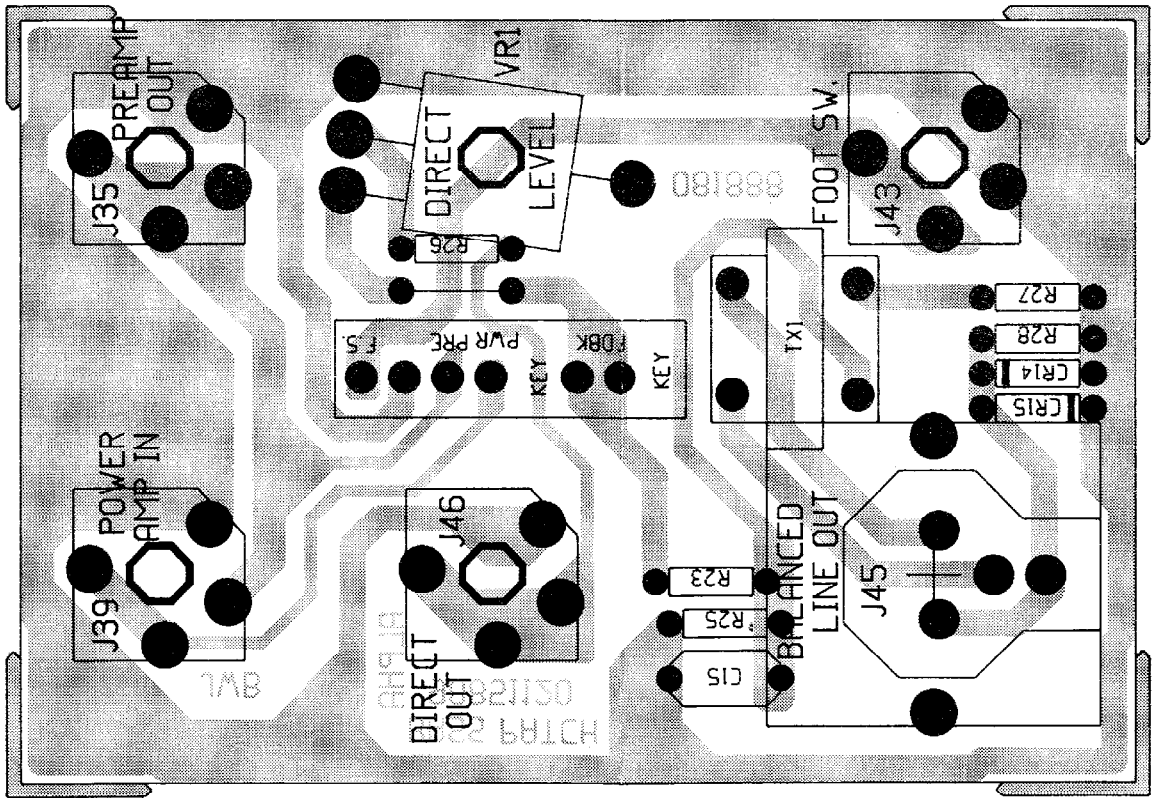
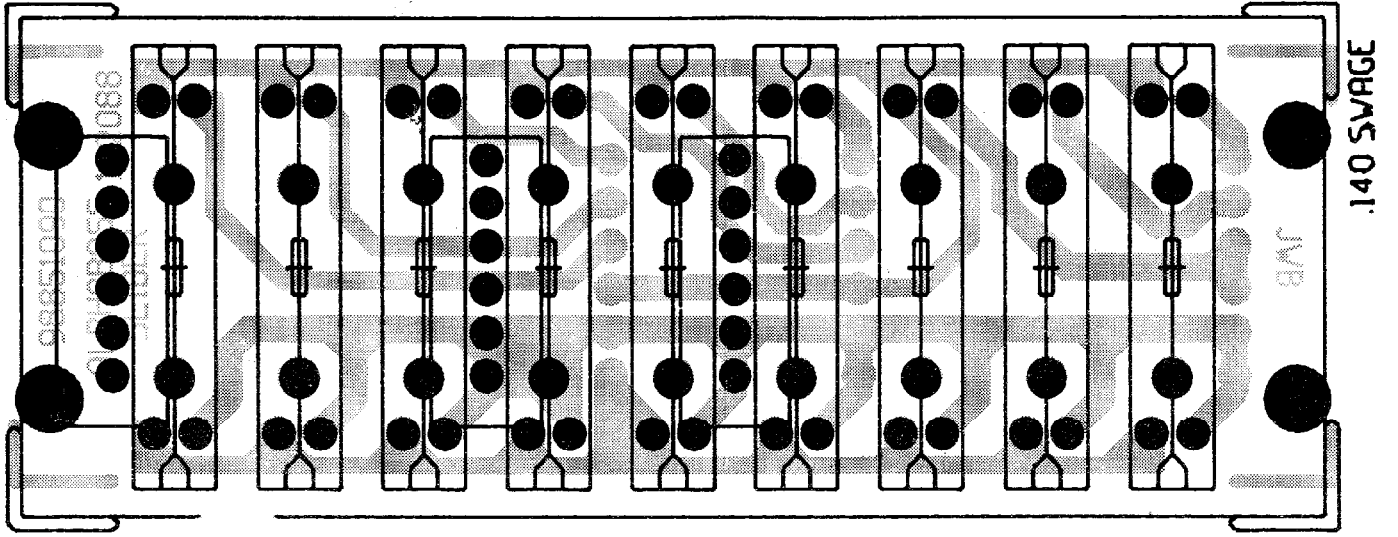
DECOUPLING CAPS... NEAR SUPPLY PINS ON OP-AMPS.

C84 .047P80 C85 .047P80 C86 .047P80 C87 .047P80 C88 .047P80

C91 .047P80 C92 .047P80 C93 .047P80 C94 .047P80 C95 .047P80



TITLE		PEAVEY ELECTRONICS CORP.	
SIZE		B	
CODE		81501470	
NUMBER		REV *	
DATE		SHEET 1 OF 1	
MERIDIAN, MISSISSIPPI 39301			
ALPHABASS POWER			



ALPHA BASS

PREAMP BD.

NAME VALUE NUMBER DESCRIPTION

C1 .01CER 70320099 .01MFD 1000VDC CD-UNCUT
 C11 .01CER 70320099 .01MFD 1000VDC CD-UNCUT
 C13 1000A35 70320038 1000 MFD 35 VDC LYTIC CAP
 C14 22A25 70320012 22 MFD 25VDC LYT. CAP. T&R
 C17 1000A35 70320038 1000 MFD 35 VDC LYTIC CAP
 C18 22A25 70320012 22 MFD 25VDC LYT. CAP. T&R
 C19 22A450 70320020 22 MFD 450 VDC LYTIC CAP
 C2 100V400 70320130 100-MF—20%-350V-P-EL-R/T
 C20 22A450 70320020 22 MFD 450 VDC LYTIC CAP
 C21 22A450 70320020 22 MFD 450 VDC LYTIC CAP
 C22 22A450 70320020 22 MFD 450 VDC LYTIC CAP
 C23 .047A400 70320105 .047 MFD 400 V T&R CAP
 C24 .33A400 70320107 .33 MFD 400 V CAP
 C25 .047A400 70320105 .047 MFD 400 V T&R CAP
 C26 270P300 70330098 270 PF 5% MICA. CAP.
 C27 .047A400 70320105 .047 MFD 400 V T&R CAP
 C28 .047A400 70320105 .047 MFD 400 V T&R CAP
 C29 180PF 70340056 180PF 10% 50V TUB CER T&R
 C3 100V400 70320130 100-MF—20%-350V-P-EL-R/T
 C31 .047A400 70320105 .047 MFD 400 V T&R CAP
 C32 .047A400 70320105 .047 MFD 400 V T&R CAP
 C33 .1R250MY 70320096 .1 MFD 250 VDC MYLAR CA/BR
 C34 .1R630MY 70320085 .1 MFD 600 VDC MYLAR CAP
 C35 .1R630MY 70320085 .1 MFD 600 VDC MYLAR CAP
 C37 .047A400 70320105 .047 MFD 400 V T&R CAP
 C38 39PFCER 70320052 39PF 1000VDC ZSF 20% CD
 C39 22A25 70320012 22 MFD 25VDC LYT. CAP. T&R
 C40 .015 70340010 .015 MFD 10% 50V T/C T&R
 C41 22A25 70320012 22 MFD 25VDC LYT. CAP. T&R
 C42 39PF 70340052 39PF 50V TUB CER T&R
 C43 22A25 70320012 22 MFD 25VDC LYT. CAP. T&R
 C44 .047A400 70320105 .047 MFD 400 V T&R CAP
 C45 .33A400 70320107 .33 MFD 400 V CAP
 C47 .1R630MY 70320085 .1 MFD 600 VDC MYLAR CAP
 C48 2.2A35 70320200 2.2MFD 35VDC LY.CAP T&R
 C49 22A25 70320012 22 MFD 25VDC LYT. CAP. T&R
 C5 100V400 70320130 100-MF—20%-350V-P-EL-R/T
 C50 .012 70340009 .012 MFD 10 % 50V T/C T&R
 C51 .1P10 70340101 .1 MFD 50 VDC 10% MON.T&R
 C52 .068 70340018 .068 MFD 10% 50V MON.T&R
 C53 .033 70340014 .033 MFD 10% 50V MON.T&R
 C54 .022 70340012 .022 MFD 10% 50V MON.T&R
 C55 .068 70340018 .068 MFD 10% 50V MON.T&R
 C56 .033 70340014 .033 MFD 10% 50V MON.T&R
 C57 .015 70340010 .015 MFD 10% 50V T/C T&R
 C58 .0068 70340008 .0068 MFD 10% 50V MON T&R
 C59 .012 70340009 .012 MFD 10 % 50V T/C T&R
 C6 100V400 70320130 100-MF—20%-350V-P-EL-R/T
 C60 .1P10 70340101 .1 MFD 50 VDC 10% MON.T&R
 C61 .068 70340018 .068 MFD 10% 50V MON T&R
 C62 .033 70340014 .033 MFD 10% 50V MON.T&R
 C63 .022 70340012 .022 MFD 10% 50V MON.T&R
 C64 .068 70340018 .068 MFD 10% 50V MON T&R
 C65 .033 70340014 .033 MFD 10% 50V MON.T&R
 C66 .015 70340010 .015 MFD 10% 50V T/C T&R
 C67 .0068 70340008 .0068 MFD 10% 50V MON T&R
 C68 22A25 70320012 22 MFD 25VDC LYT. CAP. T&R
 C69 22A25 70320012 22 MFD 25VDC LYT. CAP. T&R
 C70 22A25 70320012 22 MFD 25VDC LYT. CAP. T&R
 C71 22A25 70320012 22 MFD 25VDC LYT. CAP. T&R
 C72 22A25 70320012 22 MFD 25VDC LYT. CAP. T&R
 C73 22A25 70320012 22 MFD 25VDC LYT. CAP. T&R
 C74 22A25 70320012 22 MFD 25VDC LYT. CAP. T&R
 C75 22A25 70320012 22 MFD 25VDC LYT. CAP. T&R
 C76 22A25 70320012 22 MFD 25VDC LYT. CAP. T&R
 C77 .068 70340018 .068 MFD 10% 50V MON T&R
 C78 2.2A35 70320200 2.2MFD 35VDC LY.CAP T&R
 C79 .068 70340018 .068 MFD 10% 50V MON T&R
 C80 100PF 70340054 100PF 10% 50V TUB CER T&R
 C81 22A25 70320012 22 MFD 25VDC LYT. CAP. T&R
 C82 22A25 70320012 22 MFD 25VDC LYT. CAP. T&R
 C84 .047P80 70340016 .047MFD+80-20 50V MON T&R
 C85 .047P80 70340016 .047MFD+80-20 50V MON T&R
 C86 .047P80 70340016 .047MFD+80-20 50V MON T&R
 C87 .047P80 70340016 .047MFD+80-20 50V MON T&R
 C88 .047P80 70340016 .047MFD+80-20 50V MON T&R

C89 100PF 70340054 100PF 10% 50V TUB CER T&R
 C91 .047P80 70340016 .047MFD+80-20 50V MON T&R
 C92 .047P80 70340016 .047MFD+80-20 50V MON T&R
 C93 .047P80 70340016 .047MFD+80-20 50V MON T&R
 C94 .047P80 70340016 .047MFD+80-20 50V MON T&R
 C95 .047P80 70340016 .047MFD+80-20 50V MON T&R
 C96 2.2A35 70320200 2.2MFD 35VDC LY.CAP T&R
 C97 22A25 70320012 22 MFD 25VDC LYT. CAP. T&R
 CR1 4007 70464007 1N4007 1KV, 1A SIL. DIODE
 CR10 4003 70464003 1N4003 200V SILICON DIODE
 CR11 15VZEN 70440102 SZG40102 15V 5% ZENER DIO
 CR12 4003 70464003 1N4003 200V SILICON DIODE
 CR13 15VZEN 70440102 SZG40102 15V 5% ZENER DIO
 CR16 1N4148 70464148 1N4148 75V 10MA SILICON DIODE
 CR2 4007 70464007 1N4007 1KV, 1A SIL. DIODE
 CR3 4007 70464007 1N4007 1KV, 1A SIL. DIODE
 CR4 4007 70464007 1N4007 1KV, 1A SIL. DIODE
 CR8 4003 70464003 1N4003 200V SILICON DIODE
 CR9 4003 70464003 1N4003 200V SILICON DIODE
 F1 1.5AFB 70900185 ACG 1 1/2 AMP FUSE
 F3 15AFB 70900321 ABC 15 AMP SLOW BLOW FUSE 250V
 F4 .125ASB 70900259 .125 AMP SLOW BLOW FUSE
 F5 .125ASB 70900259 .125 AMP SLOW BLOW FUSE
 J64 RAJMNI 71466088 RIGHT ANGLE MONO INS. PC 12.5MM
 J65 RAJMNI 71466088 RIGHT ANGLE MONO INS. PC 12.5MM
 J66 RAJMNI 71466088 RIGHT ANGLE MONO INS. PC 12.5MM
 J67 RAJMNI 71466088 RIGHT ANGLE MONO INS. PC 12.5MM
 K1 71322277 71322277 DPDT RELAY 12V
 Q1 6530 70406531 MPS-6531 TO-92 NPN TRANS
 R1 400W10 70250019 400—10W—10%—FP 10—AXL
 R100 100K 70240034 100K—1/4W—5%—CF—T&R
 R101 100K 70240034 100K—1/4W—5%—CF—T&R
 R102 100K 70240034 100K—1/4W—5%—CF—T&R
 R103 10K 70240025 10K—1/4W—5%—CF—T&R
 R104 10K 70240025 10K—1/4W—5%—CF—T&R
 R105 10K 70240025 10K—1/4W—5%—CF—T&R
 R106 10K 70240025 10K—1/4W—5%—CF—T&R
 R107 1.5K 70240018 1500—1/4W—5%—CF—T&R
 R108 1.5K 70240018 1500—1/4W—5%—CF—T&R
 R109 1.5K 70240018 1500—1/4W—5%—CF—T&R
 R110 1.5K 70240018 1500—1/4W—5%—CF—T&R
 R111 1.5K 70240018 1500—1/4W—5%—CF—T&R
 R112 1.5K 70240018 1500—1/4W—5%—CF—T&R
 R113 1.5K 70240018 1500—1/4W—5%—CF—T&R
 R114 1.5K 70240018 1500—1/4W—5%—CF—T&R
 R115 1.5K 70240018 1500—1/4W—5%—CF—T&R
 R116 10 70240003 10—1/4W—5%—CF—T&R
 R117 2.2K 70240020 2200—1/4W—5%—CF—T&R
 R118 2.2K 70240020 2200—1/4W—5%—CF—T&R
 R119 4.7K 70240023 4700—1/4W—5%—CF—T&R
 R120 4.7K 70240023 4700—1/4W—5%—CF—T&R
 R121 4.7K 70240023 4700—1/4W—5%—CF—T&R
 R122 4.7K 70240023 4700—1/4W—5%—CF—T&R
 R123 10K 70240025 10K—1/4W—5%—CF—T&R
 R124 10K 70240025 10K—1/4W—5%—CF—T&R
 R125 10 70240003 10—1/4W—5%—CF—T&R
 R126 10 70240003 10—1/4W—5%—CF—T&R
 R127 47K 70240031 47K—1/4W—5%—CF—T&R
 R128 47K 70240031 47K—1/4W—5%—CF—T&R
 R129 470K 70240038 470K—1/4W—5%—CF—T&R
 R2 220KW1 70210008 220K—1W—5%—MO—T&R
 R21 4.7K 70240023 4700—1/4W—5%—CF—T&R
 R22 100W5 70250006 100—5W—10%—WW—AXL
 R227 100K 70240034 100K—1/4W—5%—CF—T&R
 R228 33K 70240030 33K—1/4W—5%—CF—T&R
 R29 1.5K 70240018 1500—1/4W—5%—CF—T&R
 R3 220KW1 70210008 220K—1W—5%—MO—T&R
 R30 100W5 70250006 100—5W—10%—WW—AXL
 R31 1.5K 70240018 1500—1/4W—5%—CF—T&R
 R32 2.7KW1 70210016 2700—1W—10%—MO—T&R
 R33 10KW1 70210018 10K—1W—5%—MO—T&R
 R34 10KW1 70210018 10K—1W—5%—MO—T&R
 R35 1KW5 70250060 1K—5W—10%—WW—AXL
 R36 1K 70240017 1K—1/4W—5%—CF—T&R
 R37 2.2M 70240040 2.2M—1/4W—5%—CF—T&R
 R38 220K 70240036 220K—1/4W—5%—CF—T&R
 R39 100KW1 70210017 100K—1W—5%—MO—T&R
 R40 100KW1 70210017 100K—1W—5%—MO—T&R
 R41 100KW1 70210017 100K—1W—5%—MO—T&R
 R42 2.2M 70240040 2.2M—1/4W—5%—CF—T&R

ALPHA BASS

R43	1M	70240039	1M—1/4W—5%—CF—T&R
R44	1K	70240017	1K—1/4W—5%—CF—T&R
R45	47K	70240031	47K—1/4W—5%—CF—T&R
R46	100K	70240034	100K—1/4W—5%—CF—T&R
R47	470K	70240038	470K—1/4W—5%—CF—T&R
R48	10K	70240025	10K—1/4W—5%—CF—T&R
R49	22KW1	70210005	22K—1W—5%—MO—T&R
R50	680	70240016	680—1/4W—5%—CF—T&R
R51	22K	70240029	22K—1/4W—5%—CF—T&R
R52	22K	70240029	22K—1/4W—5%—CF—T&R
R54	22KW1	70210005	22K—1W—5%—MO—T&R
R55	47K	70240031	47K—1/4W—5%—CF—T&R
R56	470K	70240038	470K—1/4W—5%—CF—T&R
R57	10K	70240025	10K—1/4W—5%—CF—T&R
R58	470K	70240038	470K—1/4W—5%—CF—T&R
R59	470K	70240038	470K—1/4W—5%—CF—T&R
R60	1M	70240039	1M—1/4W—5%—CF—T&R
R61	470K	70240038	470K—1/4W—5%—CF—T&R
R62	22K	70240029	22K—1/4W—5%—CF—T&R
R63	47FP	70240090	47FP—1/4W—5%—FP—T&R
R64	1K	70240017	1K—1/4W—5%—CF—T&R
R65	1.5K	70240018	1500—1/4W—5%—CF—T&R
R67	47K	70240031	47K—1/4W—5%—CF—T&R
R68	3.3K	70240022	3300—1/4W—5%—CF—T&R
R69	100K	70240034	100K—1/4W—5%—CF—T&R
R7	220KW1	70210008	220K—1W—5%—MO—T&R
R70	220K	70240036	220K—1/4W—5%—CF—T&R
R71	100KW1	70210017	100K—1W—5%—MO—T&R
R72	470K	70240038	470K—1/4W—5%—CF—T&R
R73	1K	70240017	1K—1/4W—5%—CF—T&R
R74	10K	70240025	10K—1/4W—5%—CF—T&R
R75	22KW1	70210005	22K—1W—5%—MO—T&R
R76	100K	70240034	100K—1/4W—5%—CF—T&R
R77	1.5K	70240018	1500—1/4W—5%—CF—T&R
R78	220KW1	70210008	220K—1W—5%—MO—T&R
R79	220KW1	70210008	220K—1W—5%—MO—T&R
R8	220KW1	70210008	220K—1W—5%—MO—T&R
R80	47FP	70240090	47FP—1/4W—5%—FP—T&R
R81	270	70240013	270—1/4W—5%—CF—T&R
R82	47K	70240031	47K—1/4W—5%—CF—T&R
R83	47K	70240031	47K—1/4W—5%—CF—T&R
R84	47K	70240031	47K—1/4W—5%—CF—T&R
R85	4.7K	70240023	4700—1/4W—5%—CF—T&R
R86	4.7K	70240023	4700—1/4W—5%—CF—T&R
R87	4.7K	70240023	4700—1/4W—5%—CF—T&R
R88	4.7K	70240023	4700—1/4W—5%—CF—T&R
R89	4.7K	70240023	4700—1/4W—5%—CF—T&R
R90	6.8K	70240024	6800—1/4W—5%—CF—T&R
R91	4.7K	70240023	4700—1/4W—5%—CF—T&R
R92	6.8K	70240024	6800—1/4W—5%—CF—T&R
R93	4.7K	70240023	4700—1/4W—5%—CF—T&R
R94	470	70240015	470—1/4W—5%—CF—T&R
R95	470	70240015	470—1/4W—5%—CF—T&R
R96	470	70240015	470—1/4W—5%—CF—T&R
R97	470	70240015	470—1/4W—5%—CF—T&R
R98	100K	70240034	100K—1/4W—5%—CF—T&R
R99	100K	70240034	100K—1/4W—5%—CF—T&R
S1	71322256	71322256	P.C. MNT SWITCH-DUAL
U1	4558	70404558	RC-4558,P DUAL BI-PKG 10
U2	4558	70404558	RC-4558,P DUAL BI-PKG 10
U3	4558	70404558	RC-4558,P DUAL BI-PKG 10
U4	4558	70404558	RC-4558,P DUAL BI-PKG 10
U5	4558	70404558	RC-4558,P DUAL BI-PKG 10
U6	4558	70404558	RC-4558,P DUAL BI-PKG 10
U7	4558	70404558	RC-4558,P DUAL BI-PKG 10
V1	12AX7	70806612	12 AX7/ECC 83 TUBE
V2	12AX7	70806612	12 AX7/ECC 83 TUBE
V3	12AX7	70806612	12 AX7/ECC 83 TUBE
V4	12AT7	70806618	12AT-7 TUBE-ACC.PROGRAM
VR1	71190097	71190097	50K 25MM "S" TAPER SLIDER
VR11	250KBVB	71190515	250K LIN MIN VPC W/BRKT
VR12	1MAVBP5	71190522	1 MEG AUD MIN VPC 5% TAPER
VR13	1MAVBP5	71190522	1 MEG AUD MIN VPC 5% TAPER
VR14	50KBVB	71190511	50K LIN MIN VPC W/BRKT
VR15	250KAVB	71190514	250K AUD MIN VPC W/BRKT

POWER BD.

NAME	VALUE	NUMBER	DESCRIPTION
C10	10A150	70320016	10 MFD 150 VDC LYTIC CAP
C4	100A25	70320014	100 MFD 25 VDC LYTIC CAP
C7	.01CER	70320099	.01MFD 1000VDC CD-UNCUT
C8	10A150	70320016	10 MFD 150 VDC LYTIC CAP
C9	10A150	70320016	10 MFD 150 VDC LYTIC CAP
CR100	4003	70464003	1N4003 200V SILICON DIODE
CR101	4003	70464003	1N4003 200V SILICON DIODE
CR5	2873	70402873	SR-2873 2KV,250MA SIL DIO
CR6	4003	70464003	1N4003 200V SILICON DIODE
CR7	2873	70402873	SR-2873 2KV,250MA SIL DIO
F2	.125ASB	70900259	.125 AMP SLOW BLOW FUSE
R10	10K	70240025	10K—1/4W—5%—CF—T&R
R11	10K	70240025	10K—1/4W—5%—CF—T&R
R12	10K	70240025	10K—1/4W—5%—CF—T&R
R13	1K	70240017	1K—1/4W—5%—CF—T&R
R14	2.7K	70240021	2700—1/4W—5%—CF—T&R
R15	10K	70240025	10K—1/4W—5%—CF—T&R
R16	10K	70240025	10K—1/4W—5%—CF—T&R
R17	10K	70240025	10K—1/4W—5%—CF—T&R
R18	100W5	70250006	100—5W—10%—WW—AXL
R19	100W5	70250006	100—5W—10%—WW—AXL
R20	100W5	70250006	100—5W—10%—WW—AXL
R200	22K	70240029	22K—1/4W—5%—CF—T&R
R201	22K	70240029	22K—1/4W—5%—CF—T&R
R4	100W5	70250006	100—5W—10%—WW—AXL
R5	100W5	70250006	100—5W—10%—WW—AXL
R53	47K	70240031	47K—1/4W—5%—CF—T&R
R6	100W5	70250006	100—5W—10%—WW—AXL
R66	47K	70240031	47K—1/4W—5%—CF—T&R
R9	15K	70240027	15K—1/4W—5%—CF—T&R
V10	6L6GC	70806604	6L6 GC TUBE
V5	6L6GC	70806604	6L6 GC TUBE
V6	6L6GC	70806604	6L6 GC TUBE
V7	6L6GC	70806604	6L6 GC TUBE
V8	6L6GC	70806604	6L6 GC TUBE
V9	6L6GC	70806604	6L6 GC TUBE

PATCH BD.

NAME	VALUE	NUMBER	DESCRIPTION
C15	.1R250MY	70320096	.1 MFD 250 VDC MYLAR CA/BR
CR14	5393	70465393	1N5393-RL 200V,1.5,5%,ZD,T&R
CR15	5393	70465393	1N5393-RL 200V,1.5,5%,ZD,T&R
J35	HIDMNI	71466032	11J1258 2TP HDJCK NINS PC
J39	HIDMNI	71466032	11J1258 2TP HDJCK NINS PC
J43	HIDMNI	71466032	11J1258 2TP HDJCK NINS PC
J45	PCXLRMV	71466119	XLB-3-32PCS,PC MNT RECPT
J46	HIDMNI	71466032	11J1258 2TP HDJCK NINS PC
R23	22K	70240029	22K—1/4W—5%—CF—T&R
R25	1K	70240017	1K—1/4W—5%—CF—T&R
R26	4.7K	70240023	4700—1/4W—5%—CF—T&R
R27	100	70240010	100—1/4W—5%—CF—T&R
R28	47FP	70240090	47FP—1/4W—5%—FP—T&R
TX1	70500026	70500026	DU-26 MIN. PC BAL OUTPUT
VR1	10KBMS	71190306	10K LIN METRIC SPIDER

SLIDER BD.

NAME	VALUE	NUMBER	DESCRIPTION
VR1	71190097	71190097	50K 25MM "S" TAPER SLIDER
VR2	71190097	71190097	50K 25MM "S" TAPER SLIDER
VR3	71190097	71190097	50K 25MM "S" TAPER SLIDER
VR4	71190097	71190097	50K 25MM "S" TAPER SLIDER
VR5	71190097	71190097	50K 25MM "S" TAPER SLIDER
VR6	71190097	71190097	50K 25MM "S" TAPER SLIDER
VR7	71190097	71190097	50K 25MM "S" TAPER SLIDER
VR8	71190097	71190097	50K 25MM "S" TAPER SLIDER
VR9	71190097	71190097	50K 25MM "S" TAPER SLIDER