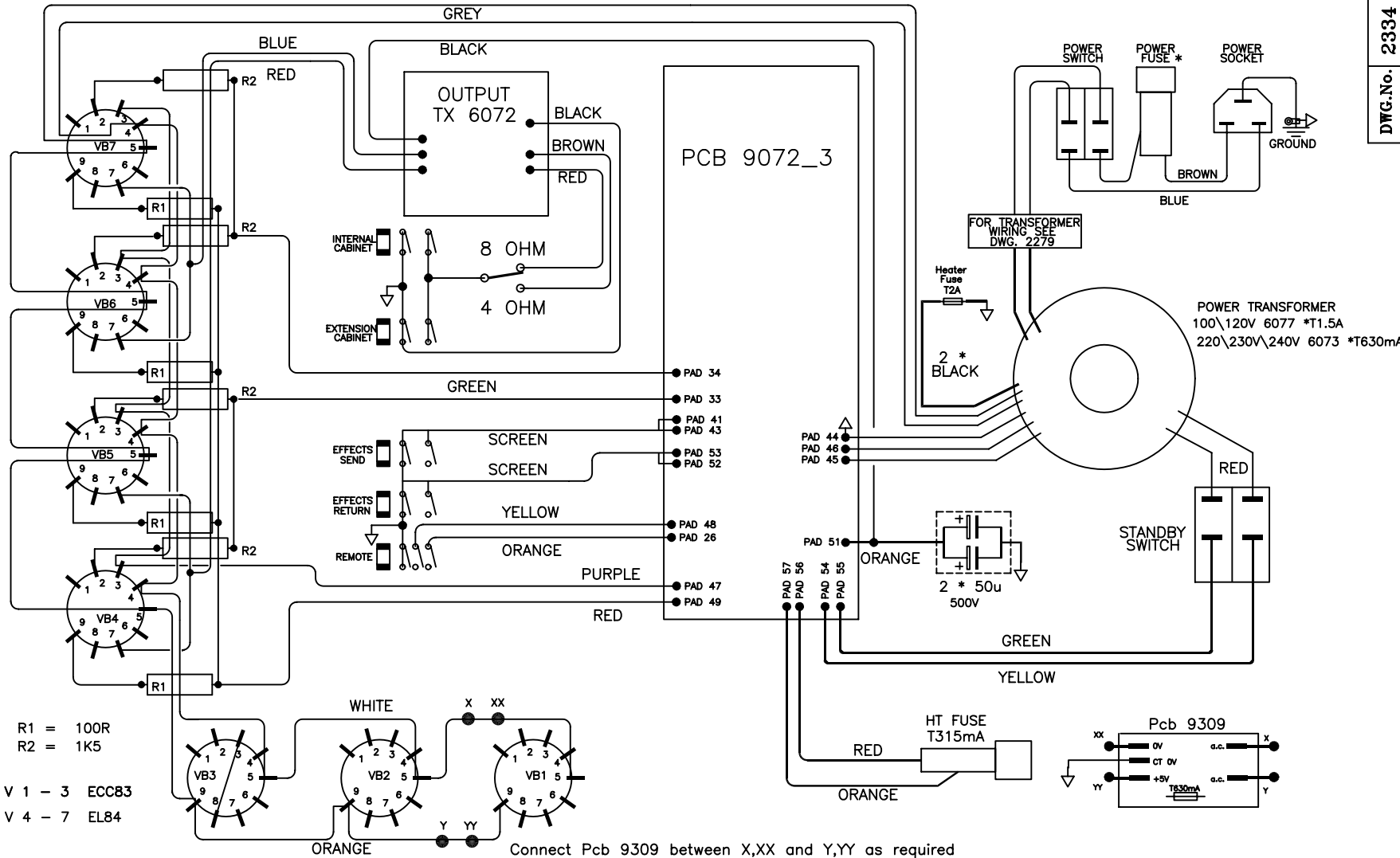


Laney

Service Diagrams



R1 = 100R
R2 = 1K5

V 1 - 3 ECC83
V 4 - 7 EL84

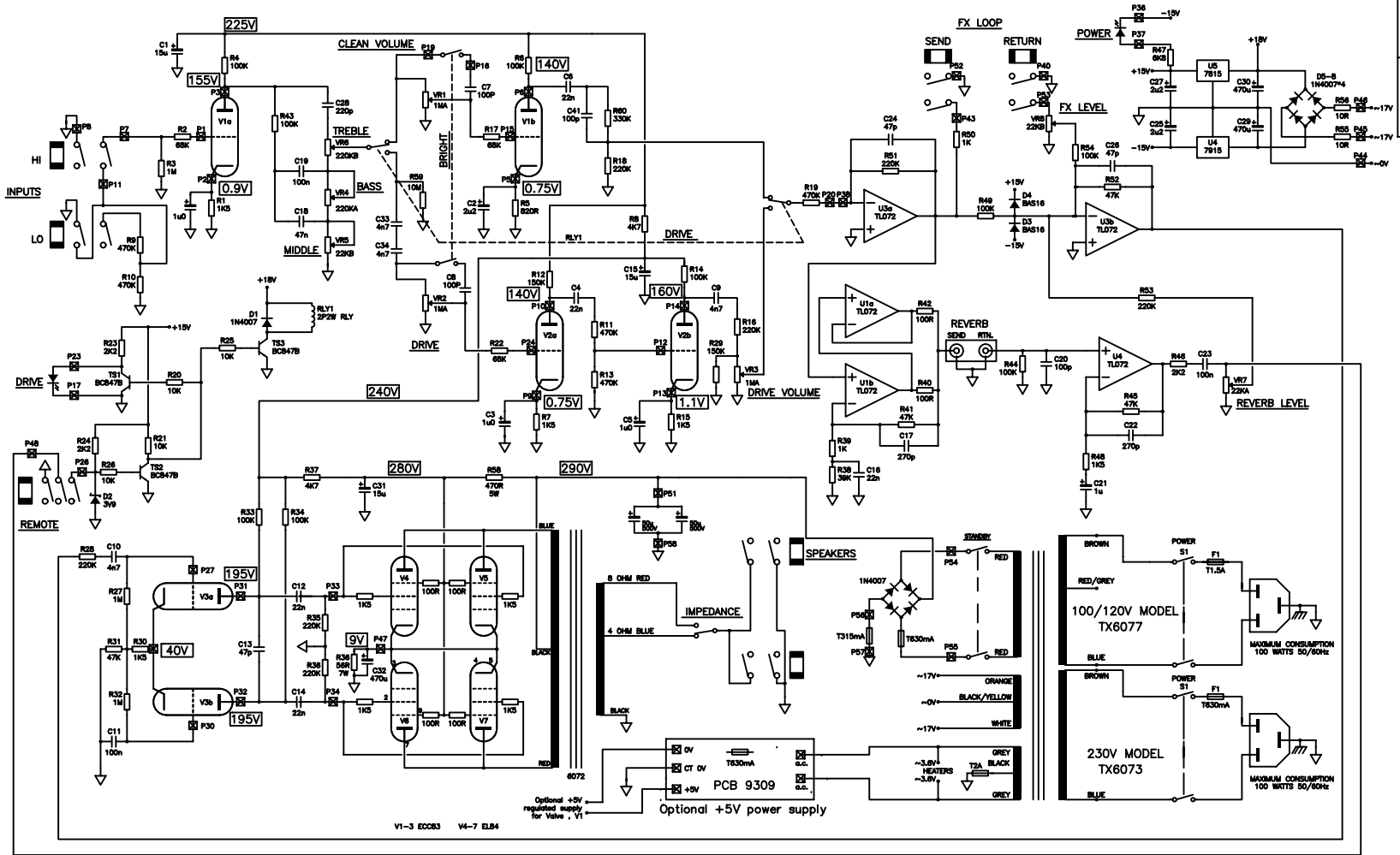
Connect Pcb 9309 between X,XX and Y,YY as required

ISSUE	DESCRIPTION	APPD.	DATE
3	Option added for regulated +5V Supply	R.J.F	8/10/98
	Fuse added in CT ground of heaters		
2	HT FUSE CHANGED FROM T500mA TO T315mA SEE CHANGE NOTE 173	S.L.	28/9/98

LANEY

TITLE VC30-212
VC30-210 , VC30-112
SCHEMATIC DIAGRAM
PART No

DRAWN	TRACED	CHECKED	APPROVED	DATE
S.L.				11/10/94
DRAWING No.		2334		



V1-3 ECC83 V4-7 6X4

Optional regulated supply for Valve V1

Optional +5V power supply

MAXIMUM CONSUMPTION 100 WATTS 50/60Hz

MAXIMUM CONSUMPTION 100 WATTS 50/60Hz

ISSUE	DESCRIPTION	APPD.	DATE
3	Option added for regulated +5V Supply 6073 to 230V primary + Heater V increased	R.J.F	8/10/98
2	Ht fuse changed to T315mA from T500mA SEE CHANGE NOTE 173	S.L.	28/9/98

LANEY

TITLE VC30-212
VC30-210 , VC30-112
PCB 9072_3 MODIFIED
PART No

DRAWN	TRACED	CHECKED	APPROVED	DATE
D.E.H.				20/06/95
DRAWING No.			2401	

