

VC30-112

VC30-210

VC30-212

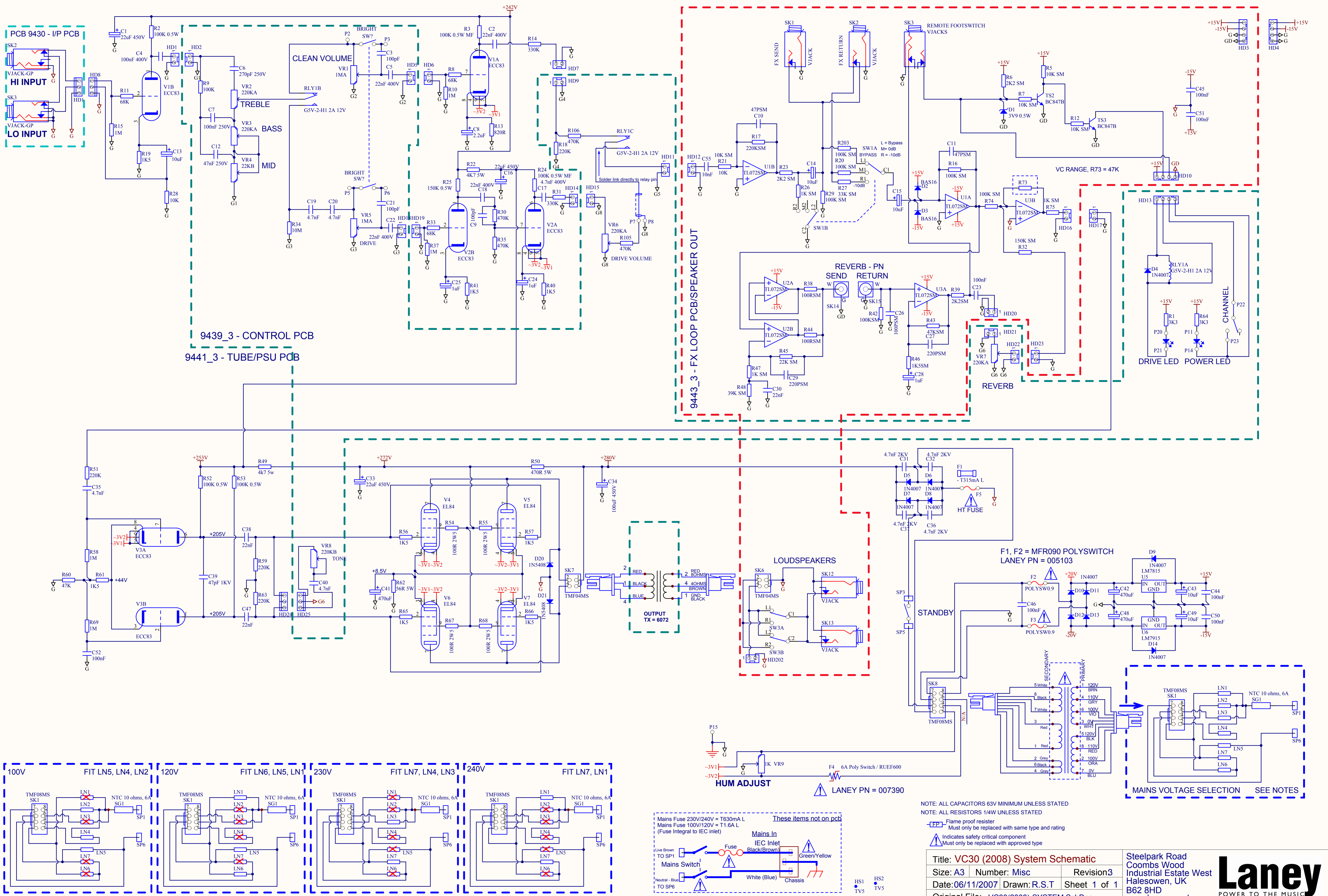
Service Information

2008 ONWARDS

Laney

POWER TO THE MUSIC

www.laney.co.uk

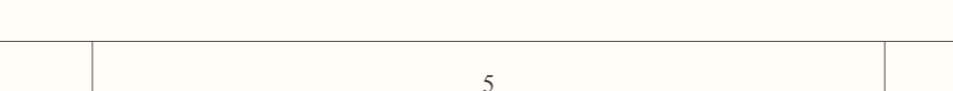
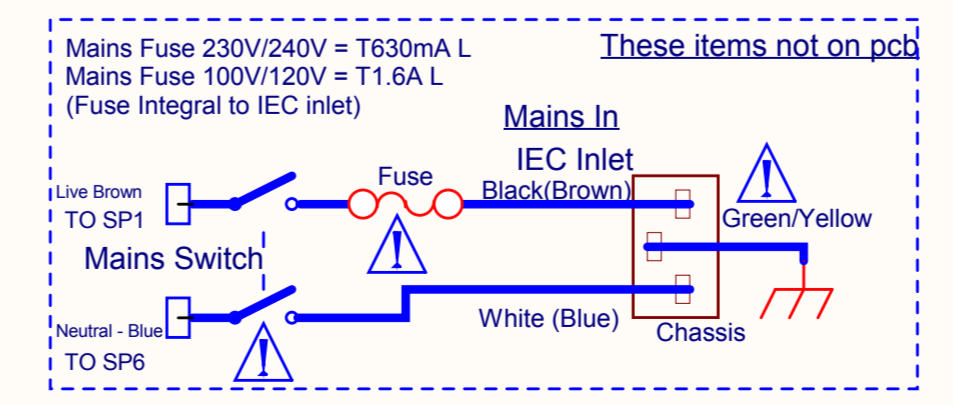


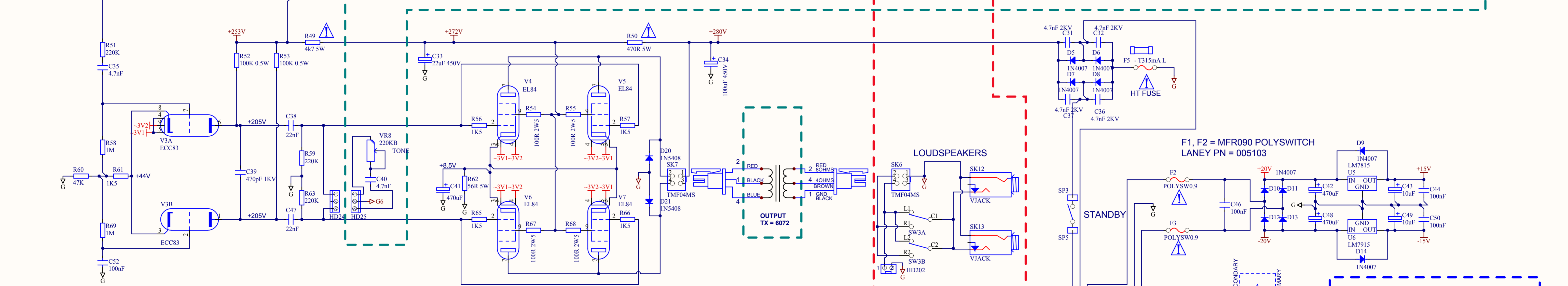
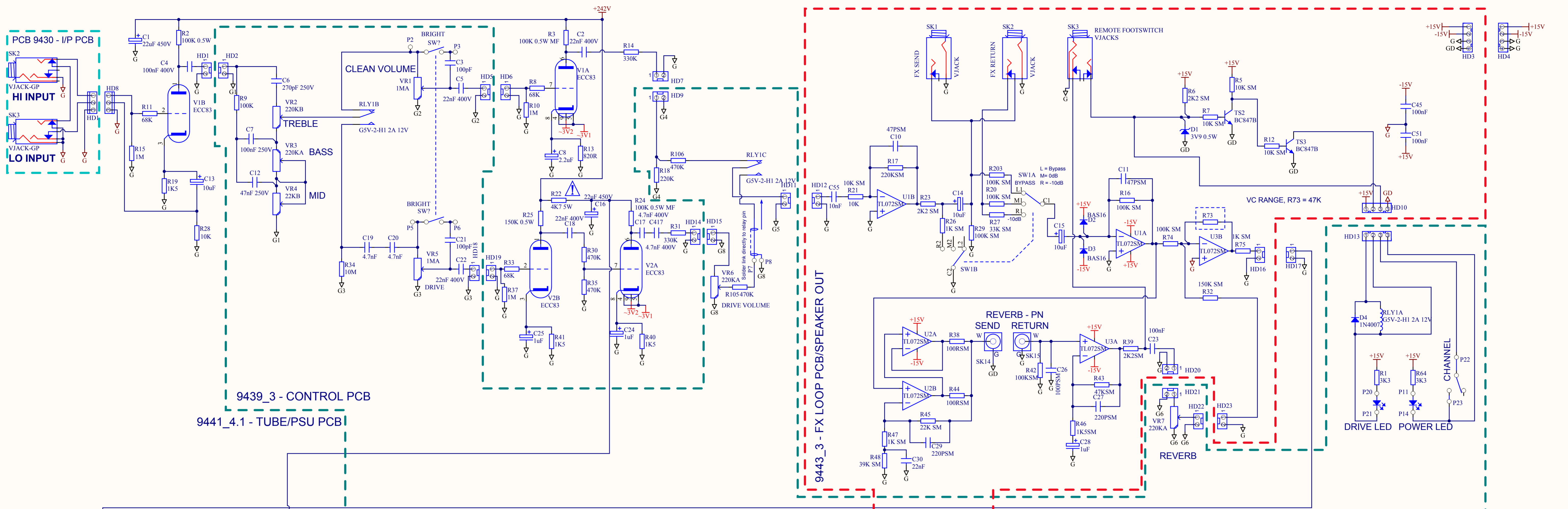
NOTE: ALL CAPACITORS 63V MINIMUM UNLESS STATED
 NOTE: ALL RESISTORS 1/4W UNLESS STATED
 -FP- Flame proof resistor
 Must only be replaced with same type and rating
 ⚠ Indicates safety critical component
 Must only be replaced with approved type

Title: VC30 (2008) System Schematic			
Size: A3	Number: Misc	Revision: 3	
Date: 06/11/2007	Drawn: R.S.T	Sheet 1 of 1	
Original File: VC30(2008)-SYSTEM.SchDoc			

Steelpark Road
 Coombs Wood
 Industrial Estate West
 Halesowen, UK
 B62 8HD
 www.laney.co.uk

Laney
 POWER TO THE MUSIC





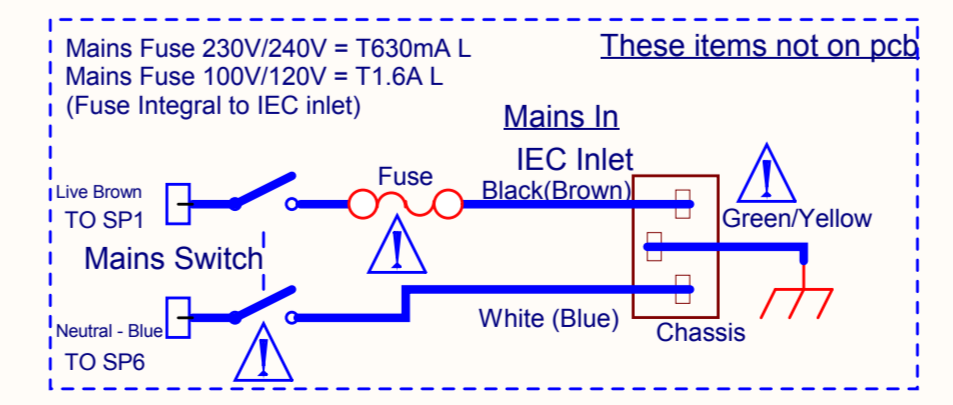
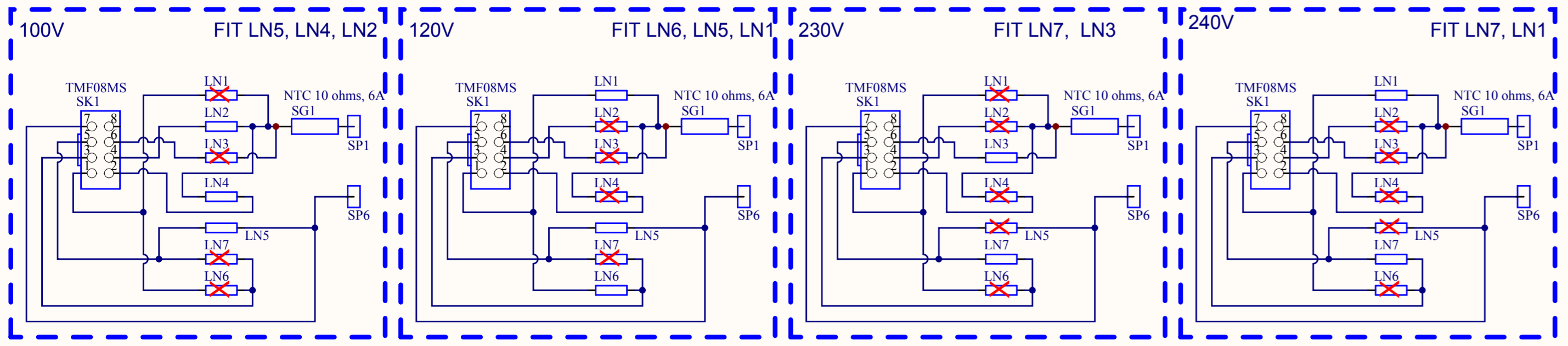
9441 ISSUE 4.1: 06/02/08:
 1. REMOVE C9.
 2. ADD C417.
 3. C39 FROM 47pF > 470pF
 4. C46 Moved >> Fuse

9439 ISSUE 3: 12/02/08
 CN0395: Change VR2 from a 220KA to a 220KB.

ISSUE4:
 UPDATED TRANSFORMER
 DETAILS: 19/09/08

TRANSFORMER 006223 WIRING DETAILS

NOTE: VOLTAGE ONLY SELECTABLE IF USING UNIVERSAL MAINS TRANSFORMER 6223
 IF USING ALTERNATIVE TRANSFORMER, PLEASE SEE SEPERATE WIRING SHEET



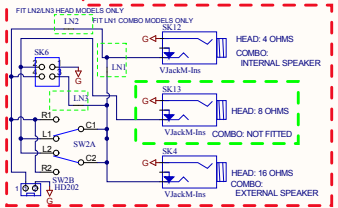
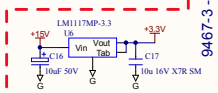
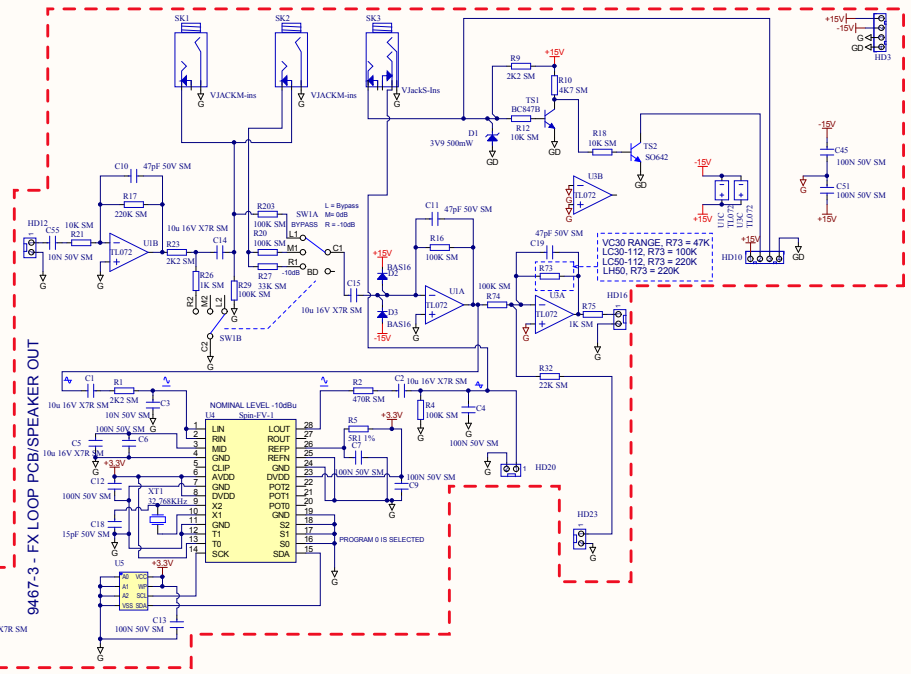
NOTE: ALL CAPACITORS 63V MINIMUM UNLESS STATED
 NOTE: ALL RESISTORS 1/4W UNLESS STATED

- FP Flame proof resistor
 Must only be replaced with same type and rating
- CS Indicates safety critical component
 Must only be replaced with approved type

Title: VC30 (2008) System Schematic		Revision: 4	
Size: A3	Number: Misc	Date: 19/09/2008	
Original File: VC30(2008)-SYSTEM.SchDoc		Drawn: RST	Sheet 1 of 1

Steelpark Road
 Coombs Wood
 Industrial Estate West
 Halesowen, UK
 B62 8HD
 www.laney.co.uk

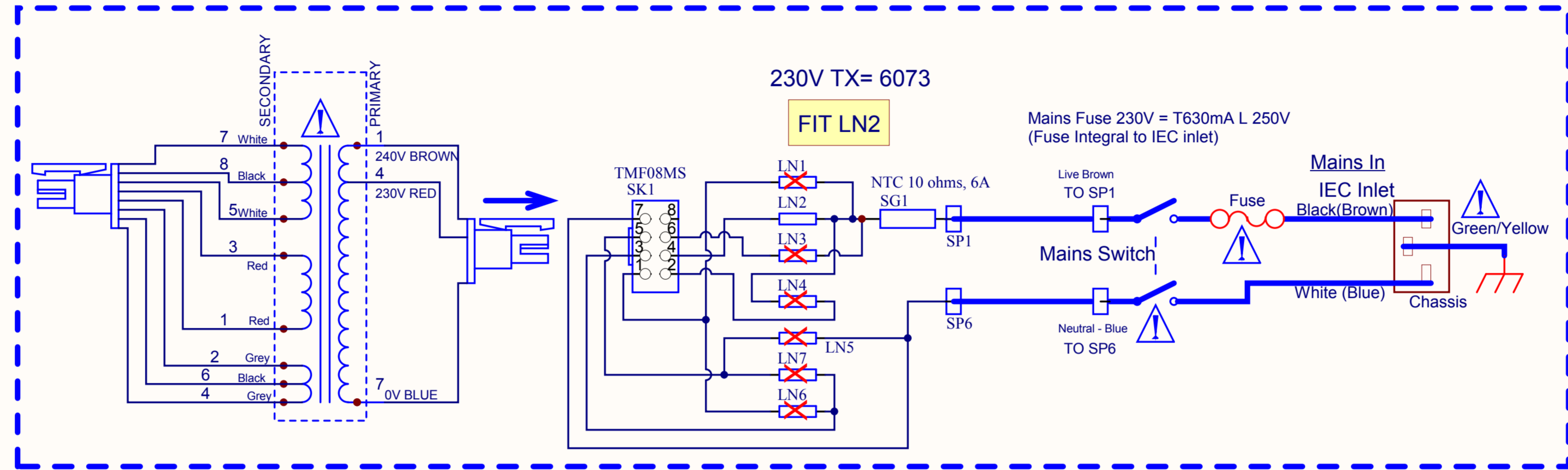
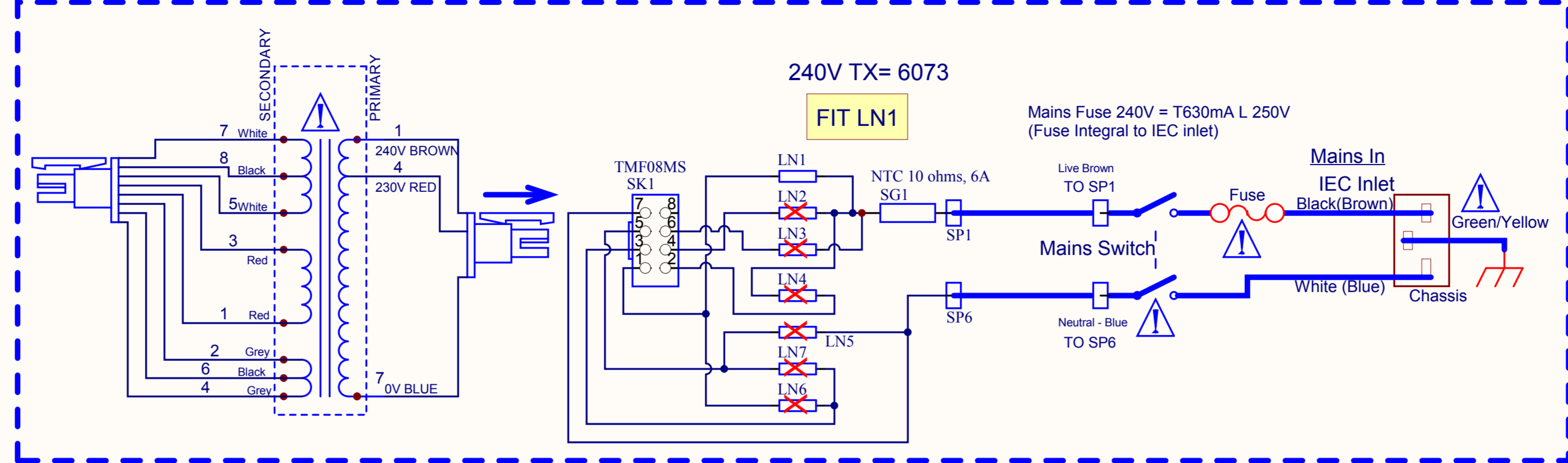
Laney
 POWER TO THE MUSIC



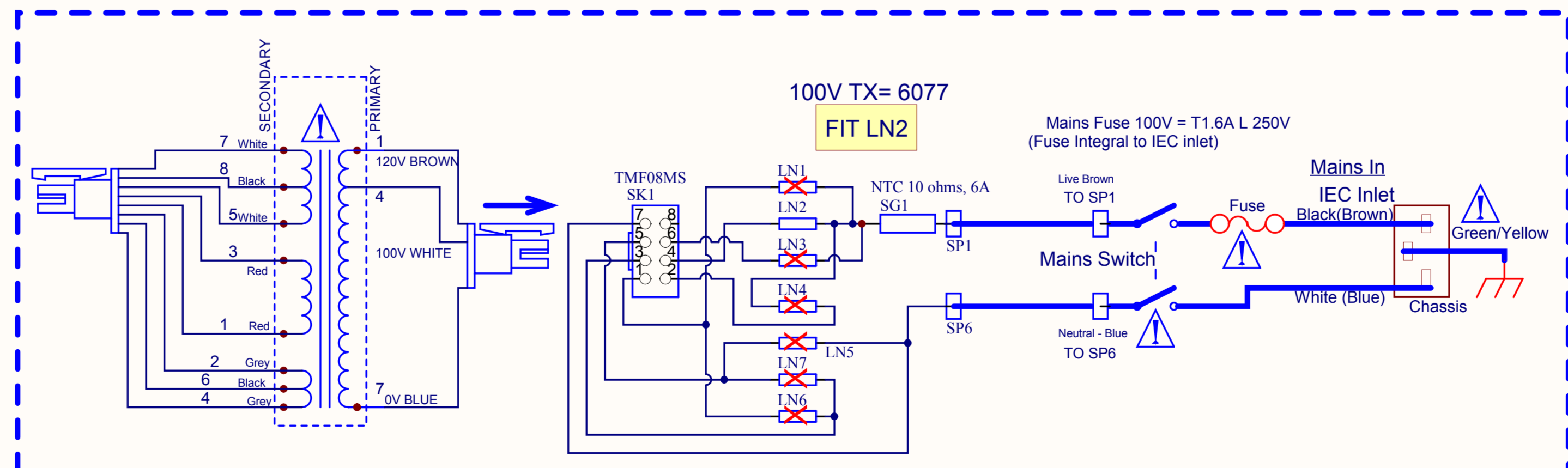
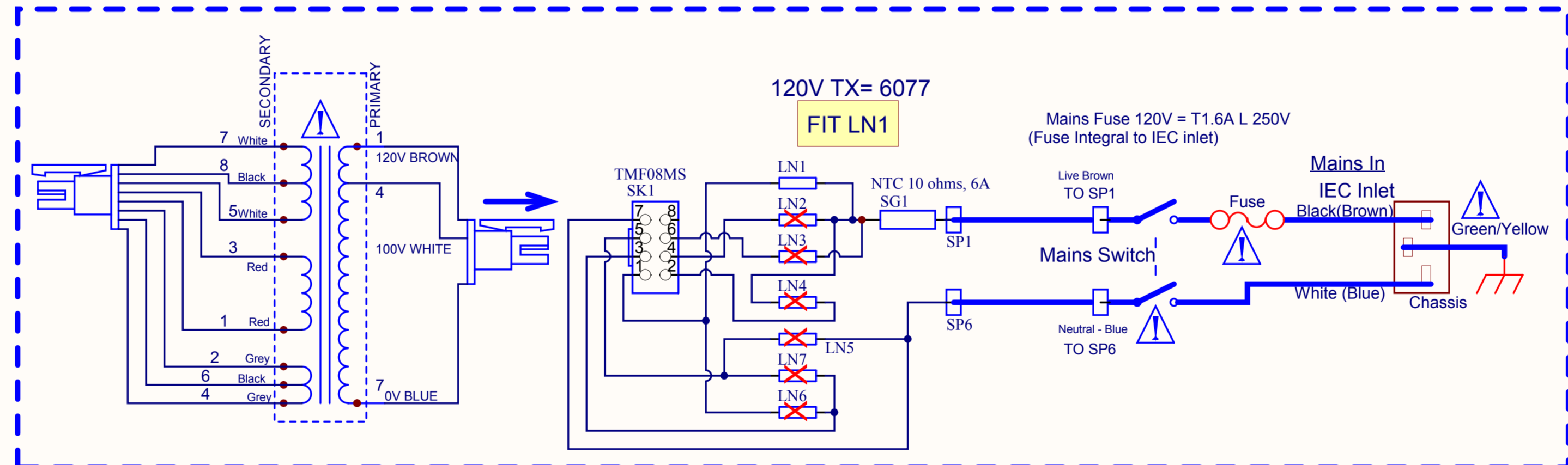
	LC30-112	LC50-112	VC30	LH50
LN1	Fitted	Fitted	Fitted	Not Fitted
LN2	Not Fitted	Not Fitted	Not Fitted	Fitted
LN3	Not Fitted	Not Fitted	Not Fitted	Fitted
R73	100K	220K	47K	220K
SK13	Not Fitted	Not Fitted	Not Fitted	Fitted
SW2	Fitted	Fitted	Fitted	Not Fitted

NOTE: ALL CAPACITORS 63V MINIMUM UNLESS STATED
 NOTE: ALL RESISTORS 1/4W UNLESS STATED
 [Symbol] Flame proof resistor
 [Symbol] Must only be replaced with same type and rating
 [Symbol] Indicates safety critical component
 [Symbol] Must only be replaced with approved type

TRANSFORMER 6073. (INTER-CHANGEABLE 230V OR 240V)



TRANSFORMER 6077. (INTER-CHANGEABLE 100V OR 120V)



Title: **ALTERNATIVE-TRANSFORMERS**

Size: A3 Number: Revision: 1

Date: 19/09/2008 Time: 09:42:27 Sheet 2 of 2

Original File: LC30(2008)-TRANSFORMERS.SchDoc

SteelPark Road
Coombs Wood
Industrial Estate West
Halesowen
UK

Laney
POWER TO THE MUSIC

www.laney.co.uk

VC30-112 SPARE PARTS LIST



Model No.
VC30-112 (2008)

SPARES ITEM	DESCRIPTION	PART No.	
Transformers	100V TI-037585 100-120V Mains	006077	
	120V TI-037585 100-120V Mains	006077	
	230V TI-037586 230V Mains	006073	
	O/P Output TX 30W	006072	
Switch	Power	5A DPDT Rocker Switch	530027
	Standby		
	Bright		
	Drive		
Mains Inlet Skt Fuses	110-120V T1.5A Spiral wound 20mm	005519	
	220-240V T630mA Spiral wound 20mm	005507	
	In Skt Mains Inlet IEC Fused	005005	
PCB s	9441 Tube PCB - Complete	007484	
	0.9A Poly Switch	005103	
	6A Poly Switch	007390	
	Surge Guard 10 Ohm 6A	007530	
	22uF 450V Capacitor	007204	
	4K7 5W Resistor	001733	
	470R 5W Resistor	001700	
	56R 5W Resistor	007224	
	ECC83 VT9 Valve Base PCB Mount	007531	
	20mm Horizontal Fuse Carrier PCB Mount	007532	
	T315mA Fuse	005102	
	9439 Fascia Control PCB Complete	007482	
	OPTION	VR1 Clean Vol 1 Meg Log Pot 6mm Spline	004070
		Bracket	005127
		VR2 Treble 220K Lin Pot 6mm Spline	004065
		VR3 Bass 220K Log Pot 6mm Spline	004078
		VR4 Mid 22K Lin Pot 6mm Spline	004061
		VR5 Drive 1 Meg Log Pot 6mm Spline	004070
		VR6 Drive Vol 220K Log Pot 6mm Spline	004078
		VR7 Reverb 220K Log Pot 6mm Spline	004078
		Bracket	005127
		VR8 Tone 220K Lin Pot 6mm Spline	004065
		Bracket	005127
		Relay G5V-2-H1 12V 2A	007205
		9467 VC30 Digital Reverb FX Loop/Speaker Out PCB Complete	007845
		6.3 Vert Phone Jack Mono Gold Plated - Insulated Body	007374
		6.3 Vert Phone Jack Mono - Insulated Body	007527
		6.3 Vert Phone Jack Stereo - Insulated Body	007528
	2P3W Vertical Slide Switch	007529	
	2P2W Vertical Slide Switch	007373	
	9443 FX Loop/Speaker out PCB Complete	007509	
	6.3 Vert Phone Jack Mono Gold Plated - Insulated Body	007374	
	6.3 Vert Phone Jack Mono - Insulated Body	007527	
6.3 Vert Phone Jack Stereo - Insulated Body	007528		
2P3W Vertical Slide Switch	007529		
2P2W Vertical Slide Switch	007373		
9430 Dual Jack Input PCB Complete	007210		
6.3mm Vertical Phone Jack Socket (Mono, chassis gnd ing)	005309		
Tubes	EL84 Matched Quad Set	005563	
	ECC83 Hi-Grade	005570	
	ECC83 STD	005548	
	ECC83 Valve	005550	
Cabinet	Badge	Diecast Laney Badge 116mm	007474
	Fascia Panel	VC30-112-210 (2008) Fascia Stainless Steel	007480
	Control Knob	Large Chicken Head	005627
	Handle	Black Leather Strap Handle	10101
		Vent/Handle Clip Integrated - Stainless Steel	007182
	Loudspeaker	12 Celestion 8 Ohms	51200
		Angle Jack Speaker Lead	010112
	Reverb (option)	Large Reverb Unit	10021
		Phono Phono Lead	010007
	Feet	38 15mm Rubber Foot with Steel Insert	007473
	Corner	Front Hooked Stainless Steel	10049
		Back Non-Hooked Stainless Steel	10048
	Foot Switch	Foot Switch	FS2
	Mains Lead	Country Dependant	
	Cabinet Carcass	VC30-112 (2008) Covered Cab Baffle (NO Fittings)	007470
	Manual	VC30-112/210/212 (2008) User Manual	007488
	Grille	VC30-112/210 (2008) Rear Grille	007476
Carton	VC30-112/210 (2008) Carton	007486	

VC30-210 SPARE PARTS LIST



Model No.
VC30-210 (2008)

SPARES ITEM		DESCRIPTION	PART No.		
Transformers	100V	TI-037585 100-120V Mains	006077		
	120V	TI-037585 100-120V Mains	006077		
	230V	TI-037586 230V Mains	006073		
	O/P	Output TX 30W	006072		
Switch	Power	5A DPDT Rocker Switch	530027		
	Standby				
	Bright				
	Drive				
Mains Inlet Skt Fuses	110-120V	T1.5A Spiral wound 20mm	005519		
	220-240V	T630mA Spiral wound 20mm	005507		
	In Skt	Mains Inlet IEC Fused	005005		
PCB s	9441	Tube PCB - Complete	007484		
		0.9A Poly Switch	005103		
		6A Poly Switch	007390		
		Surge Guard 10 Ohm 6A	007530		
		22uF 450V Capacitor	007204		
		4K7 5W Resistor	001733		
		470R 5W Resistor	001700		
		56R 5W Resistor	007224		
		ECC83 VT9 Valve Base PCB Mount	007531		
		20mm Horizontal Fuse Carrier PCB Mount	007532		
		T315mA Fuse	005102		
		9439	Fascia Control PCB Complete	007482	
		VR1	Clean Vol 1 Meg Log Pot 6mm Spline Bracket	004070 005127	
		VR2	Treble 220K Lin Pot 6mm Spline	004065	
		VR3	Bass 220K Log Pot 6mm Spline	004078	
		VR4	Mid 22K Lin Pot 6mm Spline	004061	
		VR5	Drive 1 Meg Log Pot 6mm Spline	004070	
		VR6	Drive Vol 220K Log Pot 6mm Spline	004078	
		VR7	Reverb 220K Log Pot 6mm Spline Bracket	004078 005127	
		VR8	Tone 220K Lin Pot 6mm Spline Bracket	004065 005127	
			Relay G5V-2-H1 12V 2A	007205	
	OPTION	9467	VC30 Digital Reverb FX Loop/Speaker Out PCB Complete	007845	
			6.3 Vert Phone Jack Mono Gold Plated - Insulated Body	007374	
			6.3 Vert Phone Jack Mono - Insulated Body	007527	
			6.3 Vert Phone Jack Stereo - Insulated Body	007528	
			2P3W Vertical Slide Switch	007529	
			2P2W Vertical Slide Switch	007373	
			9443	FX Loop/Speaker out PCB Complete	007509
			6.3 Vert Phone Jack Mono Gold Plated - Insulated Body	007374	
			6.3 Vert Phone Jack Mono - Insulated Body	007527	
			6.3 Vert Phone Jack Stereo - Insulated Body	007528	
			2P3W Vertical Slide Switch	007529	
			2P2W Vertical Slide Switch	007373	
			9430	Dual Jack Input PCB Complete	007210
				6.3mm Vertical Phone Jack Socket (Mono, chassis gnd ing)	005309
Tubes			EL84 Matched Quad Set	005563	
		ECC83 Hi-Grade	005570		
		ECC83 STD	005548		
		ECC83 Valve	005550		
Cabinet	Badge	Diecast Laney Badge 116mm	007474		
	Fascia Panel	VC30-112-210 (2008) Fascia Stainless Steel	007480		
	Control Knob	Large Chicken Head	005627		
	Handle		Black Leather Strap Handle	10101	
			Vent/Handle Clip Integrated - Stainless Steel	007182	
	Loudspeaker		10 Ohm Jensen C10Q16	51900	
			Angle Jack Speaker Lead	010112	
	Reverb (Option)		Large Reverb Unit	10021	
			Phono Phono Lead	010007	
	Feet	38 15mm Rubber Foot with Steel Insert	007473		
	Corner	Front	Hooked Stainless Steel	10049	
		Back	Non-Hooked Stainless Steel	10048	
	Foot Switch	Foot Switch	FS2		
	Mains Lead	Country Dependant			
	Cabinet Carcass	VC30-210 2008 Covered Cab Baffle (NO Fittings)	007471		
	Manual	VC30-112/210/212 (2008) User Manual	007488		
	Grille	VC30-112/210 (2008) Rear Grille	007476		

VC30-212 SPARE PARTS LIST



Model No. VC30-212 (2008)						
SPARES ITEM		DESCRIPTION		PART No.		
Transformers	100V	TI-037585	100-120V Mains	006077		
	120V	TI-037585	100-120V Mains	006077		
	230V	TI-037586	230V Mains	006073		
	O/P		Output TX 30W	006072		
Switch	Power	5A DPDT	Rocker Switch	530027		
	Standby					
	Bright					
	Drive					
Mains Inlet Skt Fuses	110-120V	T1.5A	Spiral wound 20mm	005519		
	220-240V	T630mA	Spiral wound 20mm	005507		
	In Skt		Mains Inlet IEC Fused	005005		
PCB s	9441	Tube PCB - Complete		007484		
		0.9A Poly Switch		005103		
		6A Poly Switch		007390		
		Surge Guard 10 Ohm 6A		007530		
		22uF 450V Capacitor		007204		
		4K7 5W Resistor		001733		
		470R 5W Resistor		001700		
		56R 5W Resistor		007224		
		ECC83 VT9 Valve Base PCB Mount		007531		
		20mm Horizontal Fuse Carrier PCB Mount		007532		
	T315mA Fuse		005102			
	9439	Fascia Control PCB Complete		007482		
		VR1	Clean Vol	1 Meg Log Pot 6mm Spline Bracket	004070 005127	
		VR2	Treble	220K Lin Pot 6mm Spline	004065	
		VR3	Bass	220K Log Pot 6mm Spline	004078	
		VR4	Mid	22K Lin Pot 6mm Spline	004061	
		VR5	Drive	1 Meg Log Pot 6mm Spline	004070	
		VR6	Drive Vol	220K Log Pot 6mm Spline	004078	
		VR7	Reverb	220K Log Pot 6mm Spline Bracket	004078 005127	
		VR8	Tone	220K Lin Pot 6mm Spline Bracket	004065 005127	
		Relay G5V-2-H1 12V 2A			007205	
		OPTION	9467	VC30 Digital Reverb FX Loop/Speaker Out PCB Complete		007845
				6.3 Vert Phone Jack Mono Gold Plated - Insulated Body		007374
				6.3 Vert Phone Jack Mono - Insulated Body		007527
	6.3 Vert Phone Jack Stereo - Insulated Body			007528		
	2P3W Vertical Slide Switch			007529		
	2P2W Vertical Slide Switch		007373			
	9443		FX Loop/Speaker out PCB Complete		007509	
			6.3 Vert Phone Jack Mono Gold Plated - Insulated Body		007374	
			6.3 Vert Phone Jack Mono - Insulated Body		007527	
			6.3 Vert Phone Jack Stereo - Insulated Body		007528	
		2P3W Vertical Slide Switch		007529		
	9430	Dual Jack Input PCB Complete		007210		
6.3mm Vertical Phone Jack Socket (Mono, chassis gnd ing)		005309				
Tubes	EL84 Matched Quad Set		005563			
	ECC83 Hi-Grade		005570			
	ECC83 STD		005548			
	ECC83 Valve		005550			
Cabinet	Badge		Diecast Laney Badge 116mm	007474		
	Fascia Panel		VC30-212 Fascia Stainless Steel	007480		
	Control Knob		Large Chicken Head	005627		
	Handle	Black Leather Strap Handle		10101		
		Vent/Handle Clip Integrated - Stainless Steel		007182		
	Loudspeaker	12 Celestion 16 Ohms		51205		
		Angle Jack Speaker Lead		010112		
	Reverb	Large Reverb Unit		10021		
		Phono Phono Lead		010007		
	Feet	38 15mm Rubber Foot with Steel Insert		007473		
	Corner	Front	Hooked Stainless Steel		10049	
		Back	Non-Hooked Stainless Steel		10048	
	Foot Switch	Foot Switch		FS2		
	Mains Lead	Country Dependant				
	Cabinet Carcass	VC30-212 2008 Covered Cab Baffle (NO Fittings)		007472		
	Manual	VC30-112/210/212 (2008) User Manual		007488		
	Grille	VC30-212 Rear Grille		007477		
	Carton	VC30-212 Carton		007487		