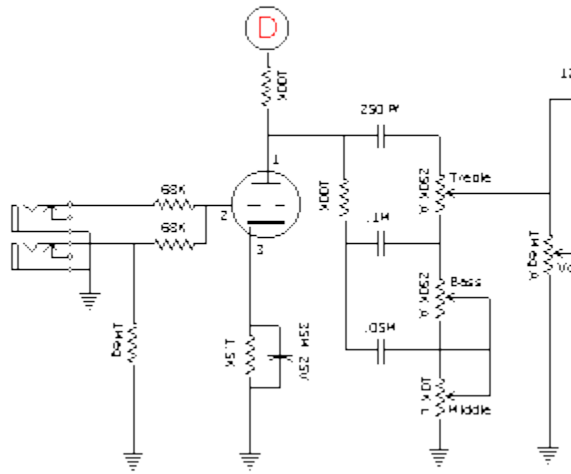
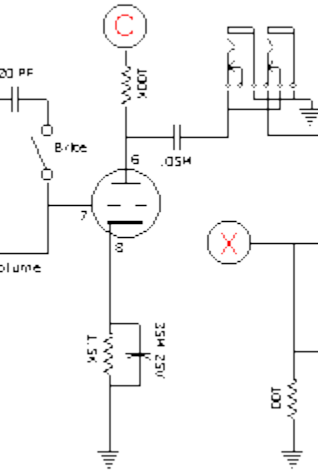


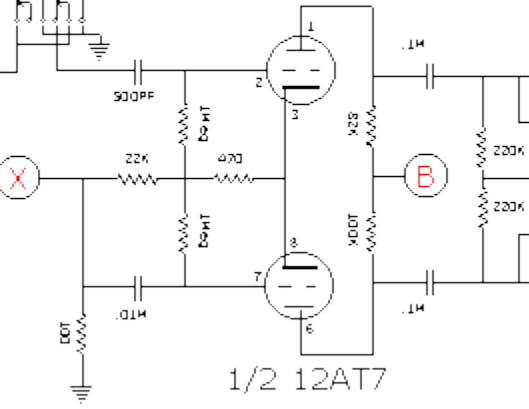
1/2 12AXY



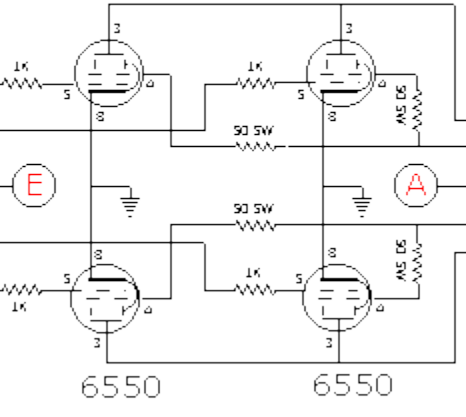
1/2 12AXY



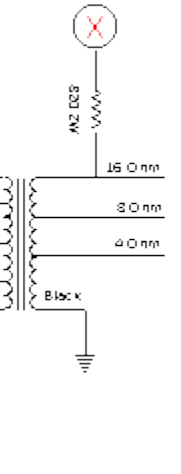
1/2 12AT7



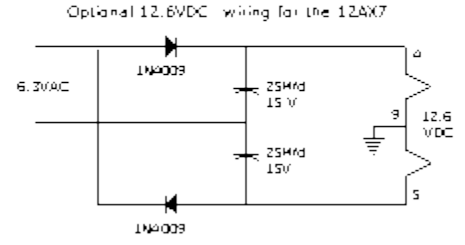
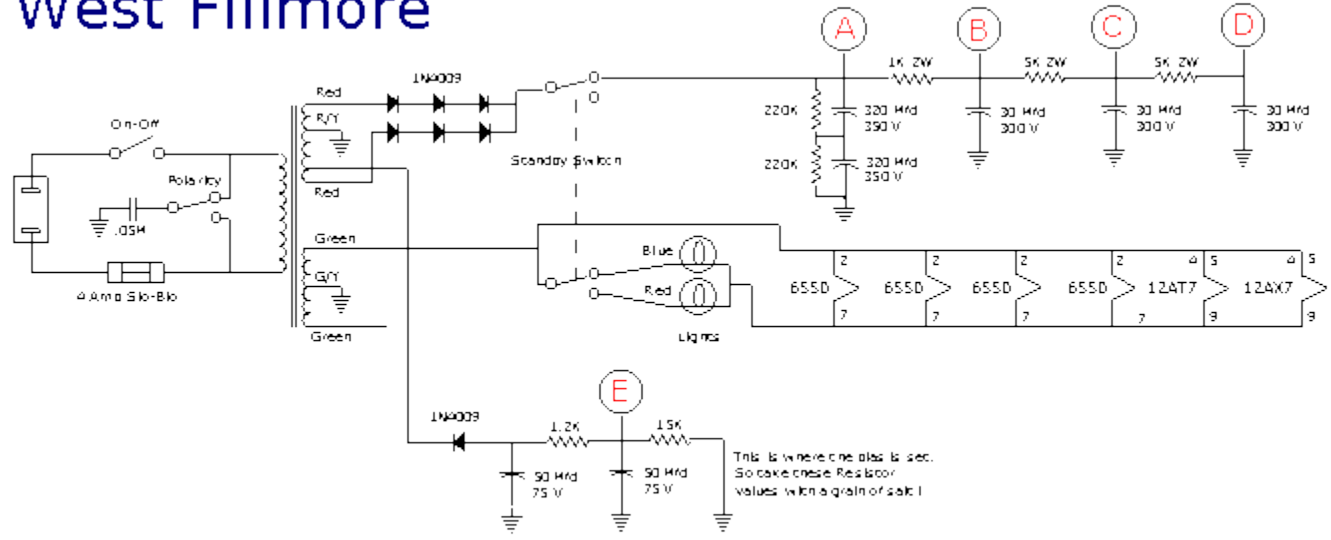
6550



6550



West Fillmore



This is where the plate is sec. So take these Resistor values with a grain of salt!