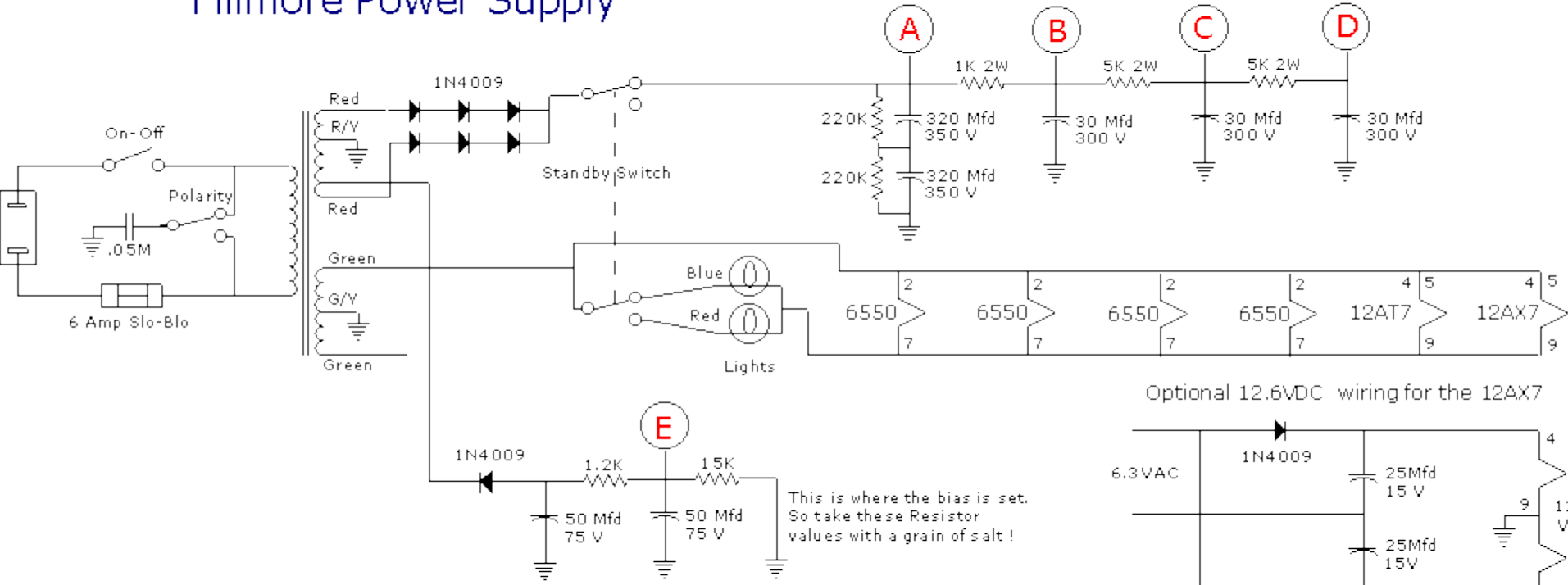
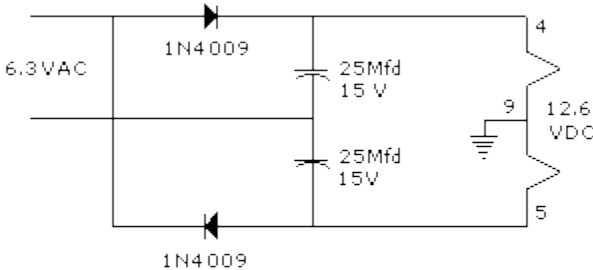


Fillmore Power Supply



Optional 12.6VDC wiring for the 12AX7



This is where the bias is set. So take these Resistor values with a grain of salt!