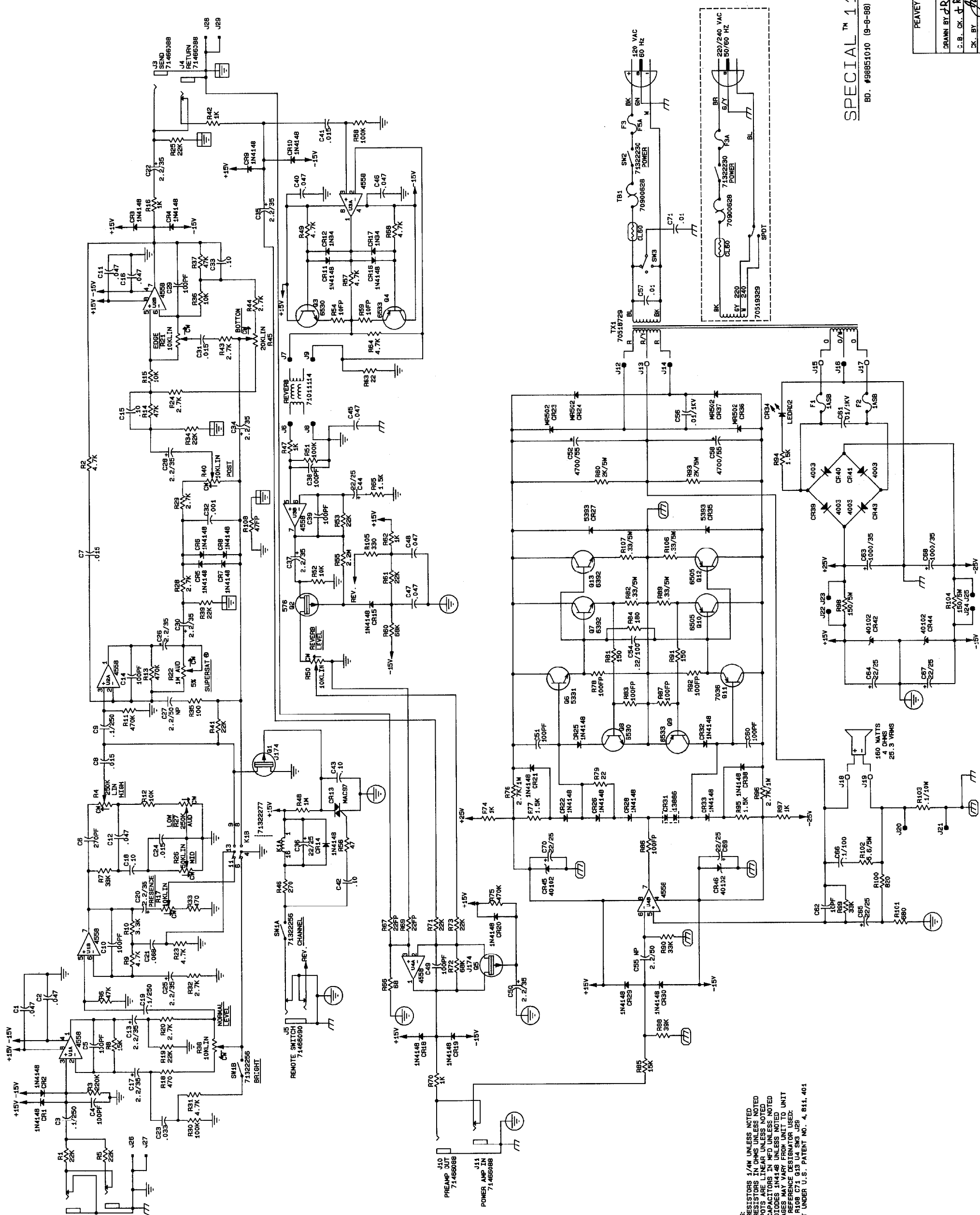
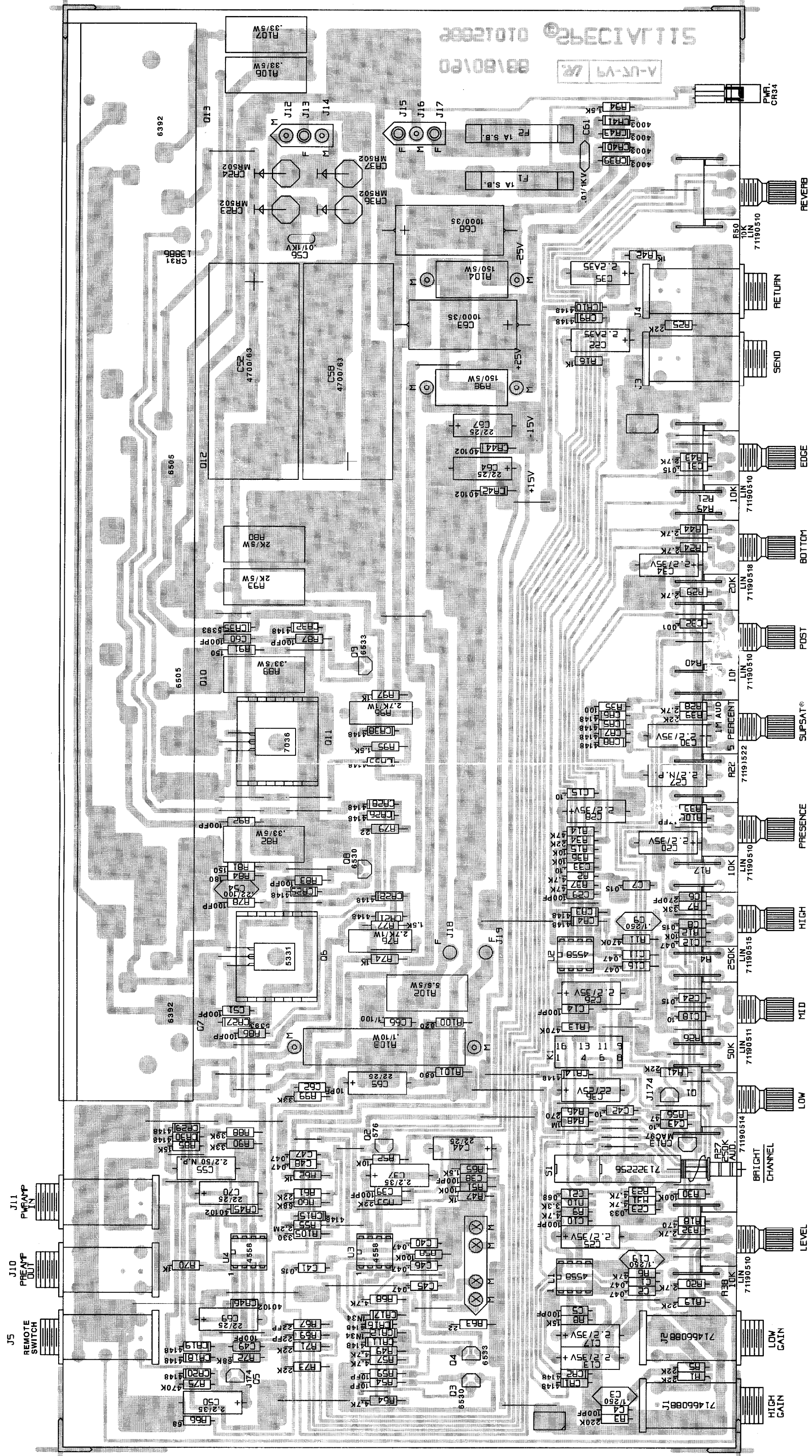


**SPECIAL™ 112**  
 BD. #98851010 (9-9-88)



NOTES:  
 ALL RESISTORS 1/4W UNLESS NOTED  
 ALL RESISTORS IN OHMS UNLESS NOTED  
 ALL POTS ARE LINEAR UNLESS NOTED  
 ALL CAPACITORS IN MFD UNLESS NOTED  
 ALL DIODES IN MFD UNLESS NOTED  
 VOLTAGES MAY VARY FROM UNIT TO UNIT  
 DUE TO MANUFACTURING TOLERANCES  
 CR46, R108, CT 943, 944, 945, 946, 947  
 BUILT UNDER U.S. PATENT NO. 4,841,401



511J1392  
 0101668  
 88\80\10  
 A-UR-V9 LR

SPECIAL™ 112