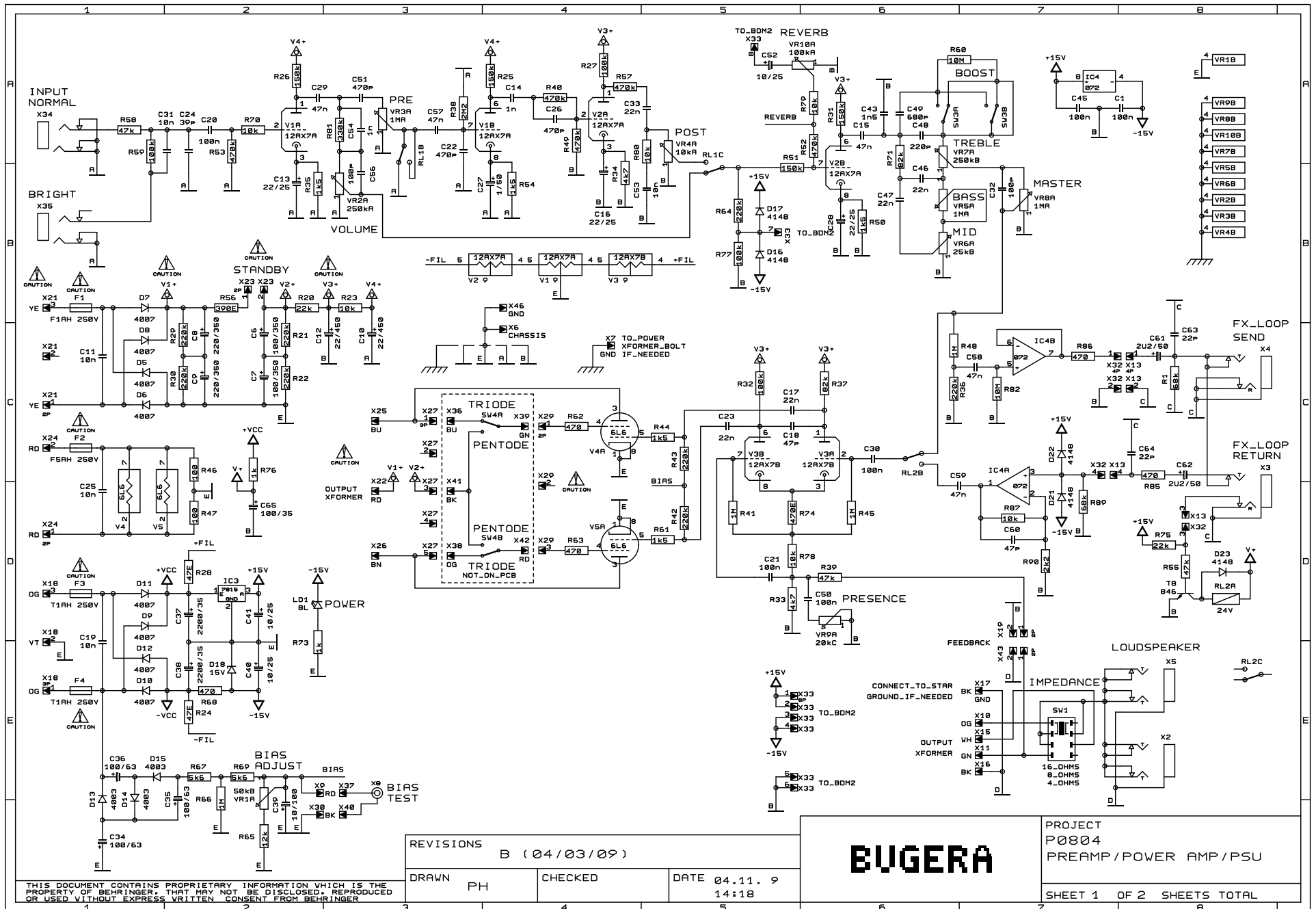


REVISIONS		
A (28/10/08)		
DRAWN	CHECKED	DATE
PH		23.10. 9 14:59

BUGERA	PROJECT
	P0A5I FOOTSWITCH
SHEET 1 OF 1 SHEETS TOTAL	

THIS DOCUMENT CONTAINS PROPRIETARY INFORMATION WHICH IS THE PROPERTY OF BEHRINGER. THAT MAY NOT BE DISCLOSED, REPRODUCED OR USED WITHOUT EXPRESS WRITTEN CONSENT FROM BEHRINGER.

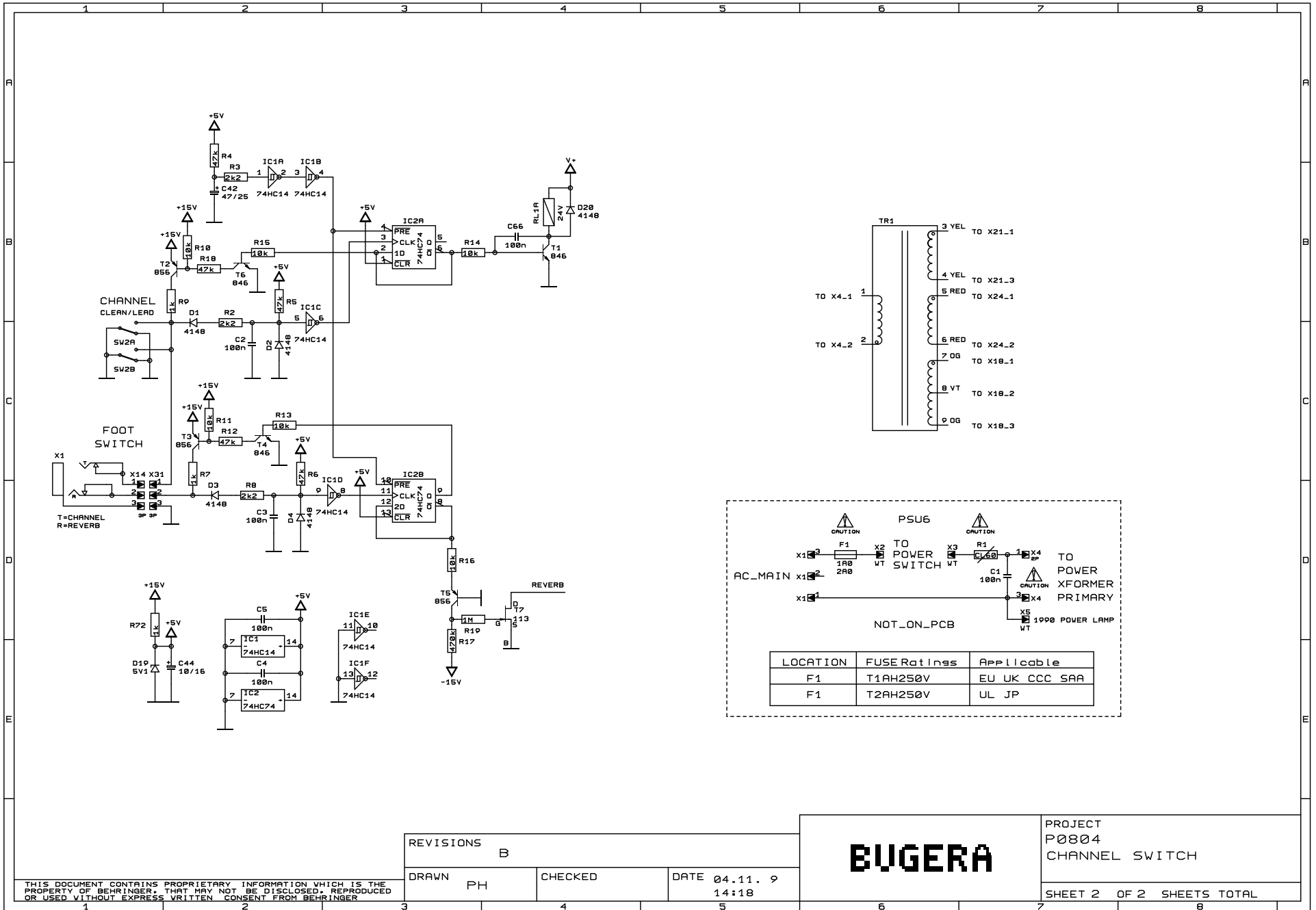


THIS DOCUMENT CONTAINS PROPRIETARY INFORMATION WHICH IS THE PROPERTY OF BEHRINGER. THAT MAY NOT BE DISCLOSED, REPRODUCED OR USED WITHOUT EXPRESS WRITTEN CONSENT FROM BEHRINGER.

REVISIONS	B (04/03/09)		
DRAWN	PH	CHECKED	DATE 04.11. 9 14:18

BUGERA

PROJECT
P0804
PREAMP / POWER AMP / PSU
SHEET 1 OF 2 SHEETS TOTAL



PSU6

CAUTION

AC_MAIN X1 F1 1A8 2B8 X2 WT TO POWER SWITCH X3 C1 100n X4 TO POWER XFORMER PRIMARY X5 1998 POWER LAMP WT

NOT_ON_PCB

LOCATION	FUSE Ratings	Applicable
F1	T1AH250V	EU UK CCC SAA
F1	T2AH250V	UL JP

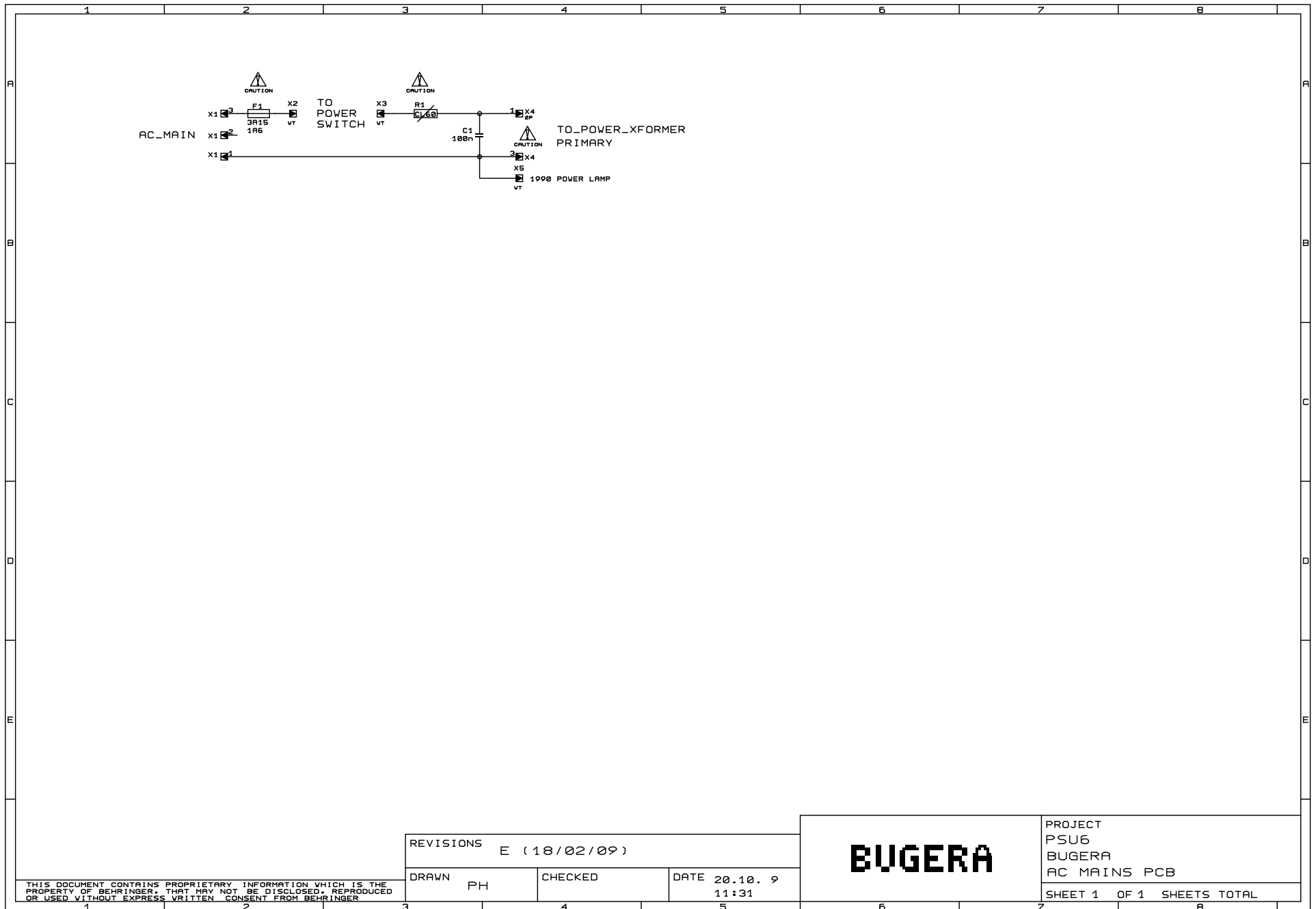
REVISIONS		
B		
DRAWN	CHECKED	DATE
PH		04.11. 9 14:18

BUGERA

PROJECT
P0804
CHANNEL SWITCH

SHEET 2 OF 2 SHEETS TOTAL

THIS DOCUMENT CONTAINS PROPRIETARY INFORMATION WHICH IS THE PROPERTY OF BEHRINGER. THAT MAY NOT BE DISCLOSED, REPRODUCED OR USED WITHOUT EXPRESS WRITTEN CONSENT FROM BEHRINGER.



REVISIONS E (18/02/09)		
DRAWN PH	CHECKED	DATE 20.10. 9 11:31

BUGERA	PROJECT PSUG BUGERA AC MAINS PCB
	SHEET 1 OF 1 SHEETS TOTAL

THIS DOCUMENT CONTAINS PROPRIETARY INFORMATION WHICH IS THE PROPERTY OF BEHRINGER. THAT MAY NOT BE DISCLOSED, REPRODUCED OR USED WITHOUT EXPRESS WRITTEN CONSENT FROM BEHRINGER.

