

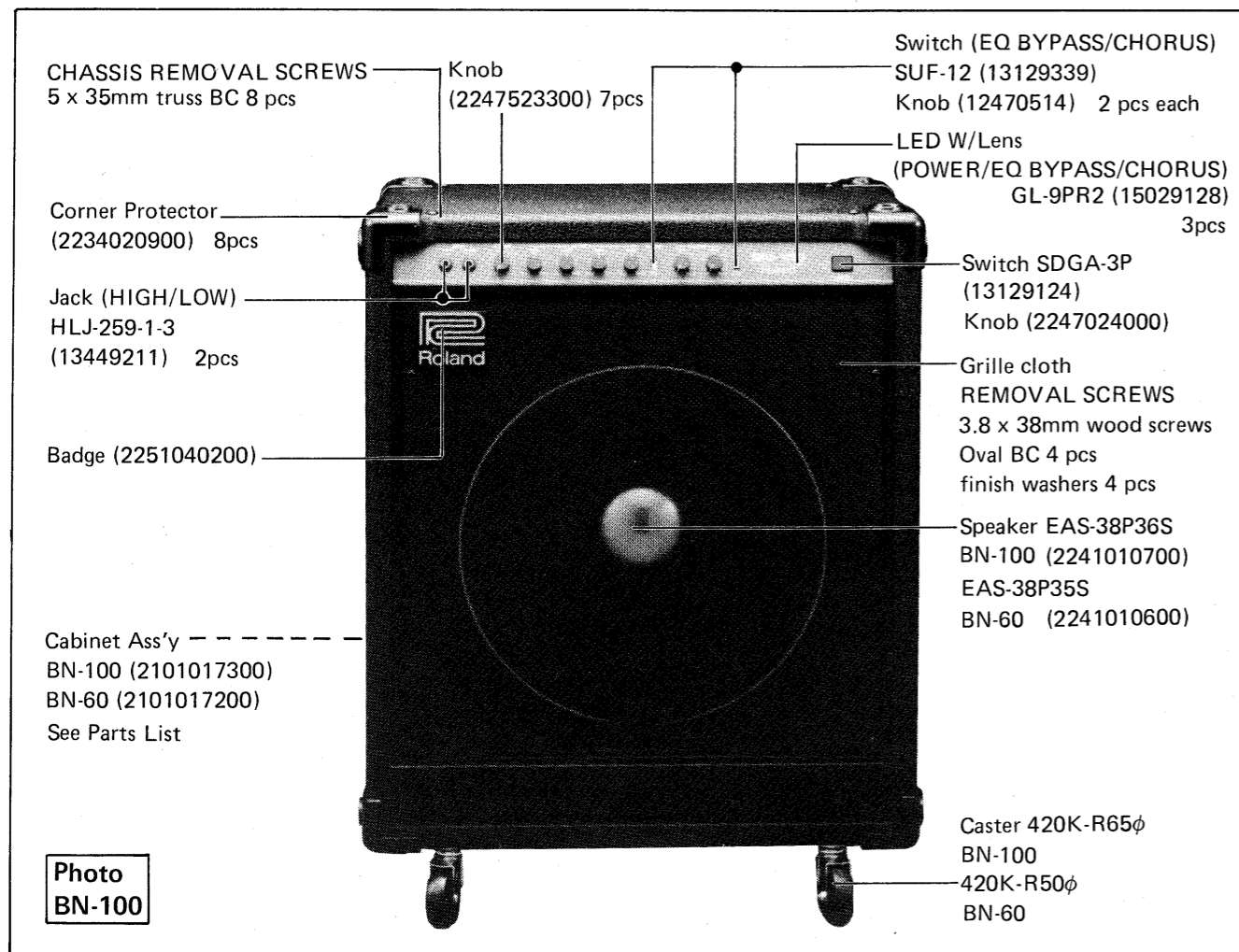
BN-60/100

SERVICE NOTES *First Edition*

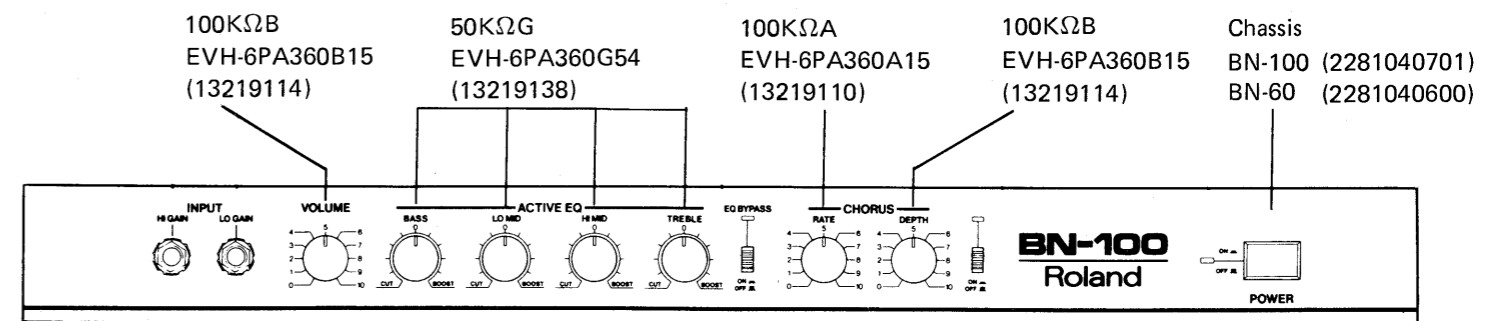
SPECIFICATIONS

	BN-60	BN-100
OUTPUTS		
POWER (into 8 Ohm)	60 Wrms @5% THD	100Wrms @5% THD
LINE 1/4" Phone Jack	0 dBm/600Ω	
LINE XLR Connector (unbalanced)		0 dBm/600Ω
PRE SPEAKER	0 dBm/1KΩ (775mV rms)	
EXTERNAL SPEAKER	8Ω Min. 8Ω Min.	
INPUTS SENSITIVITY @1kHz (Vol, EQ-FCW)		
HIGH	-37dBm/500KΩ (11mV rms)	-36dBm/500KΩ (12mV rms)
LOW	-22dBm/50KΩ (62mV rms)	-21dBm/50KΩ (68mV rms)
MAIN	0 dBm/50KΩ (775mV rms)	
tone CONTROL RANGE		
BASS	± 10dB @80Hz	
LOW MIDDLE	± 10dB @300Hz	
HIGH MIDDLE	± 10dB @600Hz	
TREBLE	+15dB/ -35dB @10kHz	
POWER CONSUMPTION	209VA	324VA
DIMENSIONS	567(W) x 682(H) x 317(D) mm 22 5/16(W) x 26 7/8(H) x 12 1/2(D) in	617(W) x 799(H) x 377(D) mm 24 5/16(W) x 31 7/16(H) x 14 13/16(D) in
WEIGHT	27kg (59 lb 8 oz)	41kg (90 lb 6 oz)

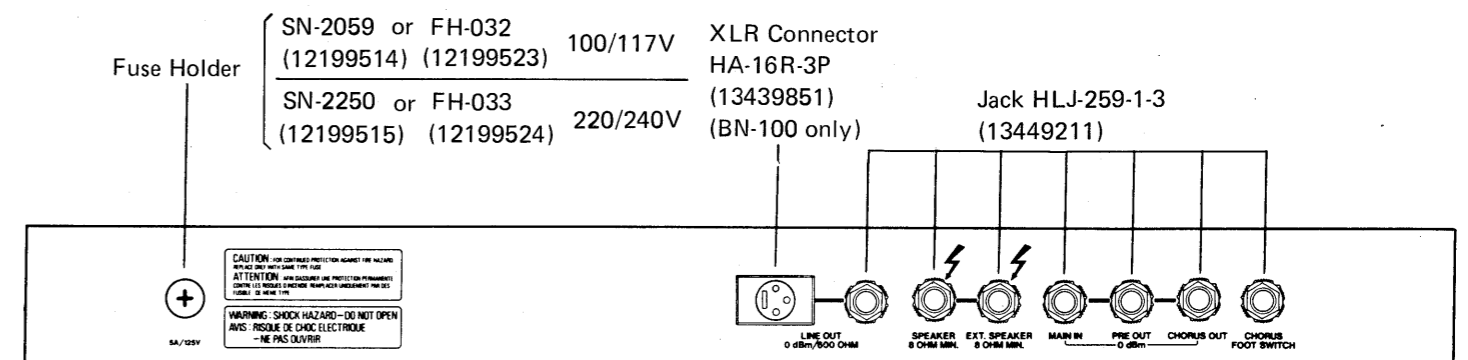
FRONT VIEW



Control Panel



Rear Panel

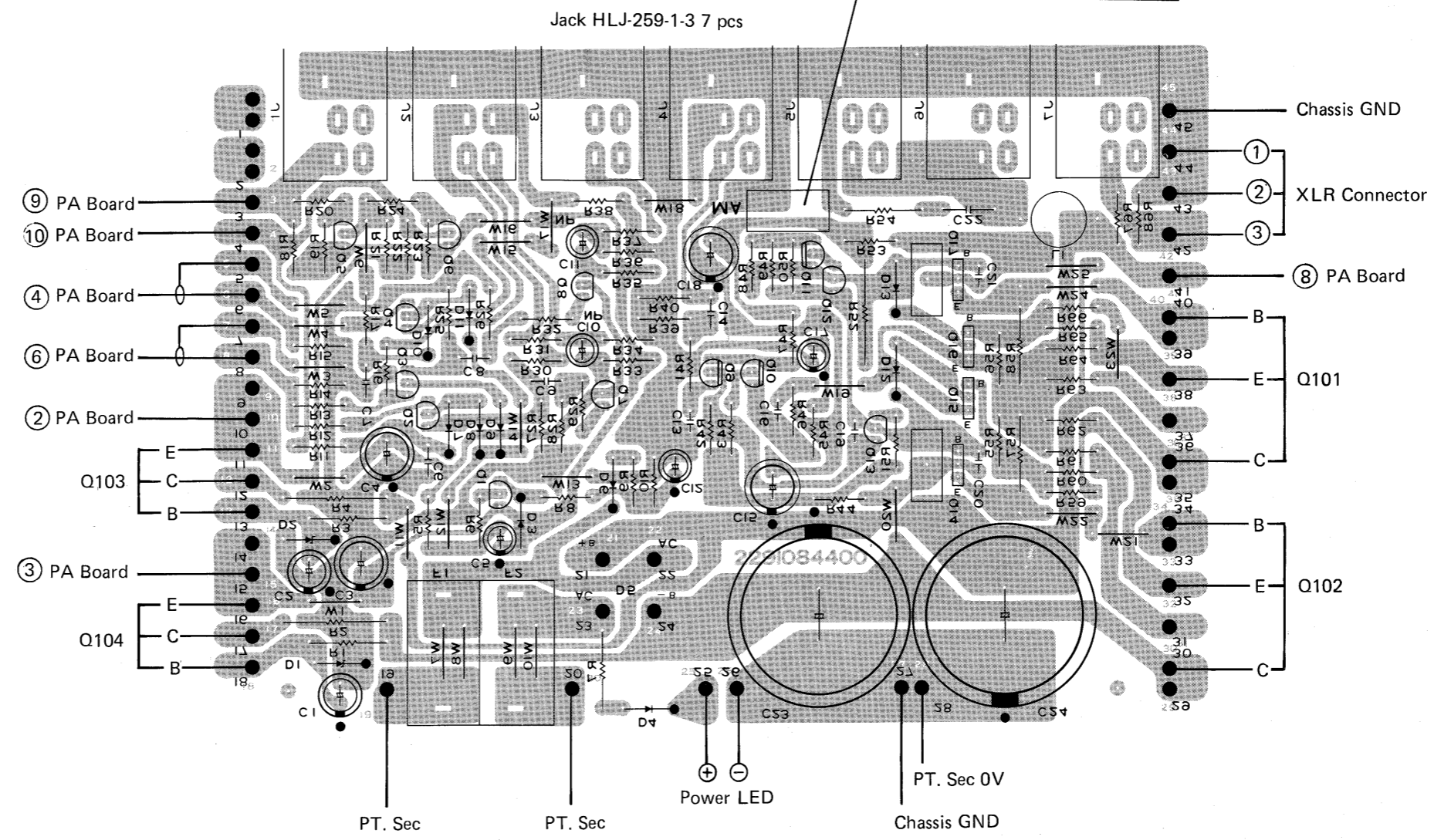


1 2 3 4 5 6 7 8 9 10 11 12 13 14 15 16 17 18 19 20 21 22 23 24 25 26 27 28 29 30 31 32 33 34 35 36 37 38 39 40

MA BOARD

BN-100 70213100 (pcb 2291084400)
BN-60 70212100

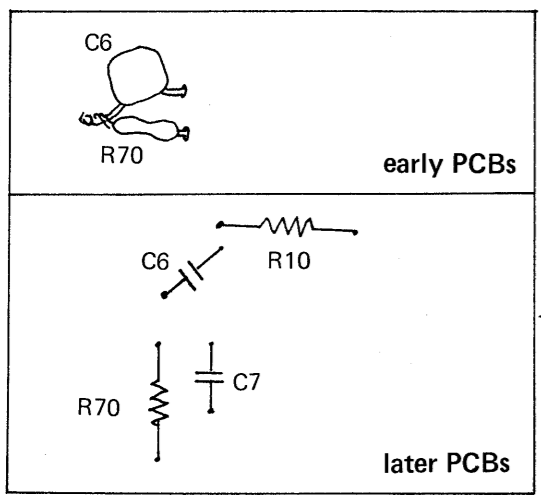
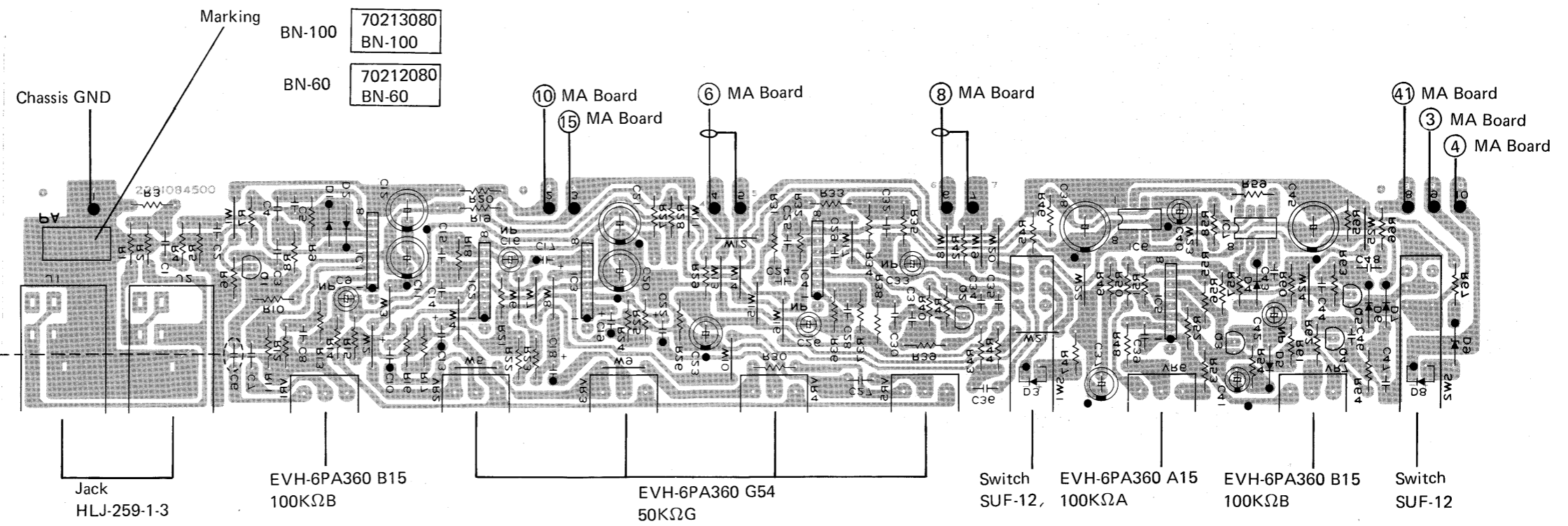
BN-100	MA	70213100
		BN-100
BN-60	MA	70212100
		BN-60



PA BOARD

BN-100 70213080 (pcb 2291084500)
BN-60 70212080

BN-100	70213080
	BN-100
BN-60	70212080
	BN-60

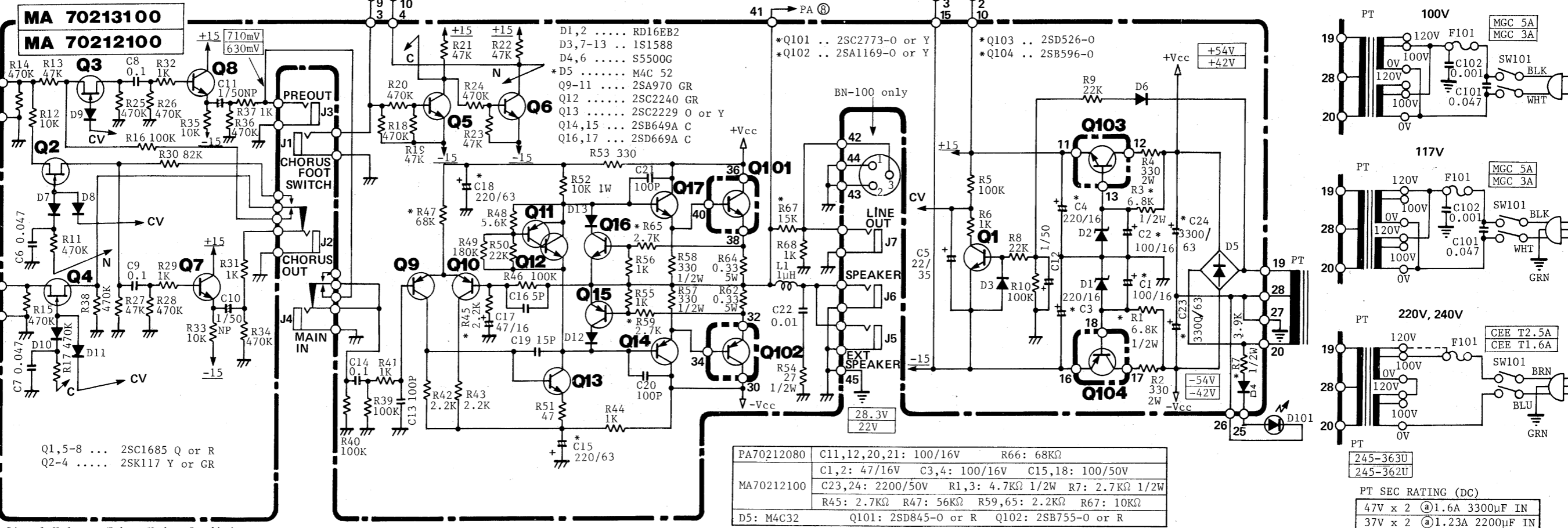
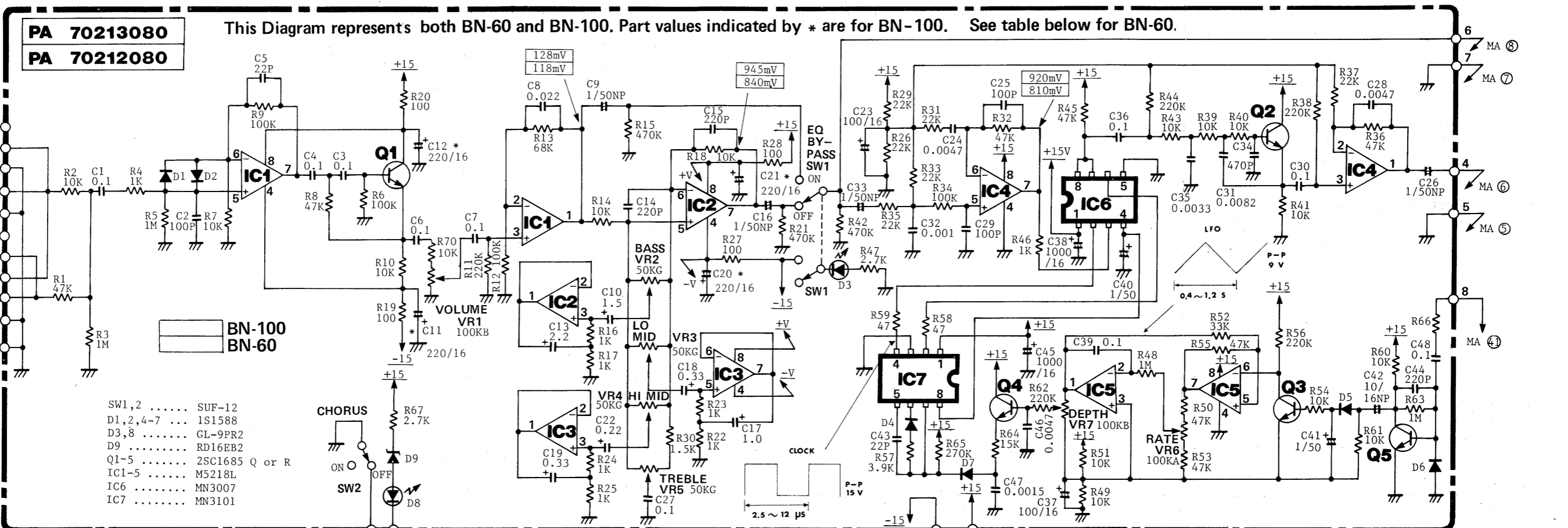


A
B
C
D
E
F
G
H
I
J
K
L
M
N
O
P
Q
R
S
T

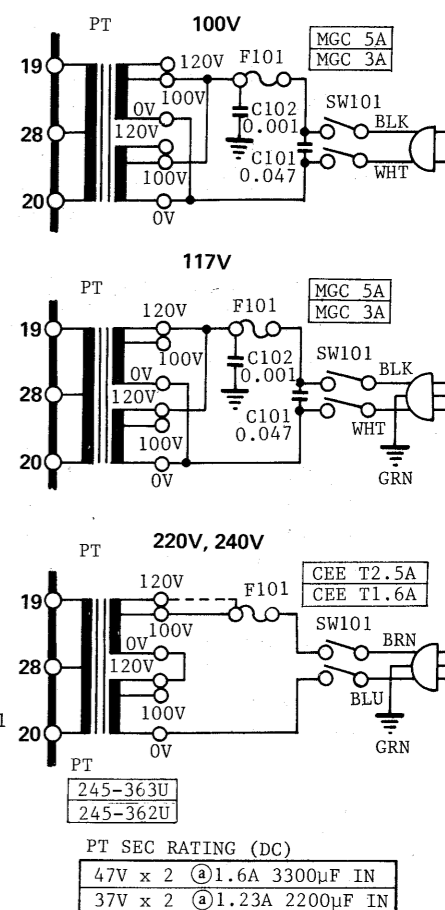
CIRCUIT DIAGRAM

1 2 3 4 5 6 7 8 9 10 11 12 13 14 15 16 17 18 19 20 21 22 23 24 25 26 27 28 29 30 31 32 33 34 35 36 37 38 39

A
B
C
D
E
F
G
H
I
J
K
L
M
N
O
P
Q
R
S
T
U



PA70212080	C11,12,20,21: 100/16V	R66: 68KΩ
MA70212100	C1,2: 47/16V C3,4: 100/16V C15,18: 100/50V	
	C23,24: 2200/50V R1,3: 4.7KΩ 1/2W R7: 2.7KΩ 1/2W	
	R45: 2.7KΩ R47: 56KΩ R59,65: 2.2KΩ R67: 10KΩ	
D5: M4C32	Q101: 2SD845-0 or R Q102: 2SB755-0 or R	



Signal Voltage Taken Under Conditions:
Input : 1kHz
Vol, EQ: FCW

PARTS LIST**CABINET ASS'Y**

(Including Handle, Badge, Corner Protectors
Grille cloth, Casters and Baffle Board.)

2101017300	(BN-100)	
2101017200	(BN-60)	
2234020900	Corner Protector	
2251040200	Badge	
2231020700	Handle H-40 w/cover (BN-60)	

CASTER (detachable, swivel)

420K-R65φ w/bracket (BN-100)
420K-R50φ w/bracket (BN-60)

CHASSIS

2281040701	(BN-100)
2281040600	(BN-60)

SPEAKER

2241010700	EAS-38P36S (BN-100)
2241010600	EAS-38P35S (BN-60)

SWITCH

13129124	SDGA-3P	Power 100/117/220/240V
13129339	SUF-12	EQ BYPASS/CHORUS

JACK

13449211	HLJ-259-1-3
----------	-------------

XLR CONNECTOR

13439851	HA-16R-3P (BN-100)
----------	--------------------

POWER TRANSFORMER

22450363U0	(BN-100)	100/117/220/240V
22450362U0	(BN-60)	100/117/220/240V

FUSE (PRI.)

12559119	MGC 5A (BN-100)	100/117V
12559515	CEE T2.5A (BN-100)	220/240V
12559117	MGC 3A (BN-60)	100/117V
12559521	CEE T1.6A (BN-60)	220/240V

FUSE HOLDER

12199514	SN-2059 or 12199523 FH-032	100/117V
12199515	SN-2250 or 12199524 FH-033	220/240V

PCB ASS'Y

70213080	PA BOARD (BN-100)	(pcb 2291084500)
70213100	MA BOARD (BN-100)	(pcb 2291084400)
70212080	PA BOARD (BN-60)	(pcb 2291084500)
70212100	MA BOARD (BN-60)	(pcb 2291084400)

POTENTIOMETER

13219114	EVH-6PA360 B15 100KB	(VOLUME, DEPTH)
13219110	EVH-6PA360 A15 100KA	(RATE)
13219138	EVH-6PA360 G54 50KG	(EQ)

IC

15189136	M5218L	OP
15219205	MN 3007	BBD
15169504	MN 3101	BBD DRIVER

TRANSISTOR

151291290R	2SC1685-R	
15129120	2SC2240-GR	
15129409	2SC2229-0	
15129604	2SD669A-C	
15129806	2SD526-0	
15119111	2SA970-GR	
15119604	2SB649A-C	
15119806	2SB596-0	
15129706	2SC2773-0 (BN-100)	
15119703	2SA1169-0 (BN-100)	
15129818	2SD845-0 (BN-60)	
15119807	2SB755-0 (BN-60)	
15139106	2SK117-GR	FET

DIODE

15019102	1S1588	
15019209T0	S5500G	
15019560	RD16EB2	Zener
15029128	GL-9PR2	LED
15019238	M4C52 (BN-100)	rectifier bridge
15019237	M4C32 (BN-60)	rectifier bridge

CAPACITOR

13659247M0	ECES1JV332S 3300/63V (BN-100)	electro
13659235M0	ECES1HV222S 2200/50V (BN-60)	electro
13549625M0	ECQ-M2103KZ 0.01/200V	polypropylen
13589463	ECQ-U1A102MH 0.001/125V	100/117V MP
13589461	ECQ-U1A473MH 0.047/125V	100/117V MP

RESISTOR

13869301	MPC71 0.33Ω 5W	cement
13829802M0	ERD50FJ 27Ω 1/2W	non-flammable