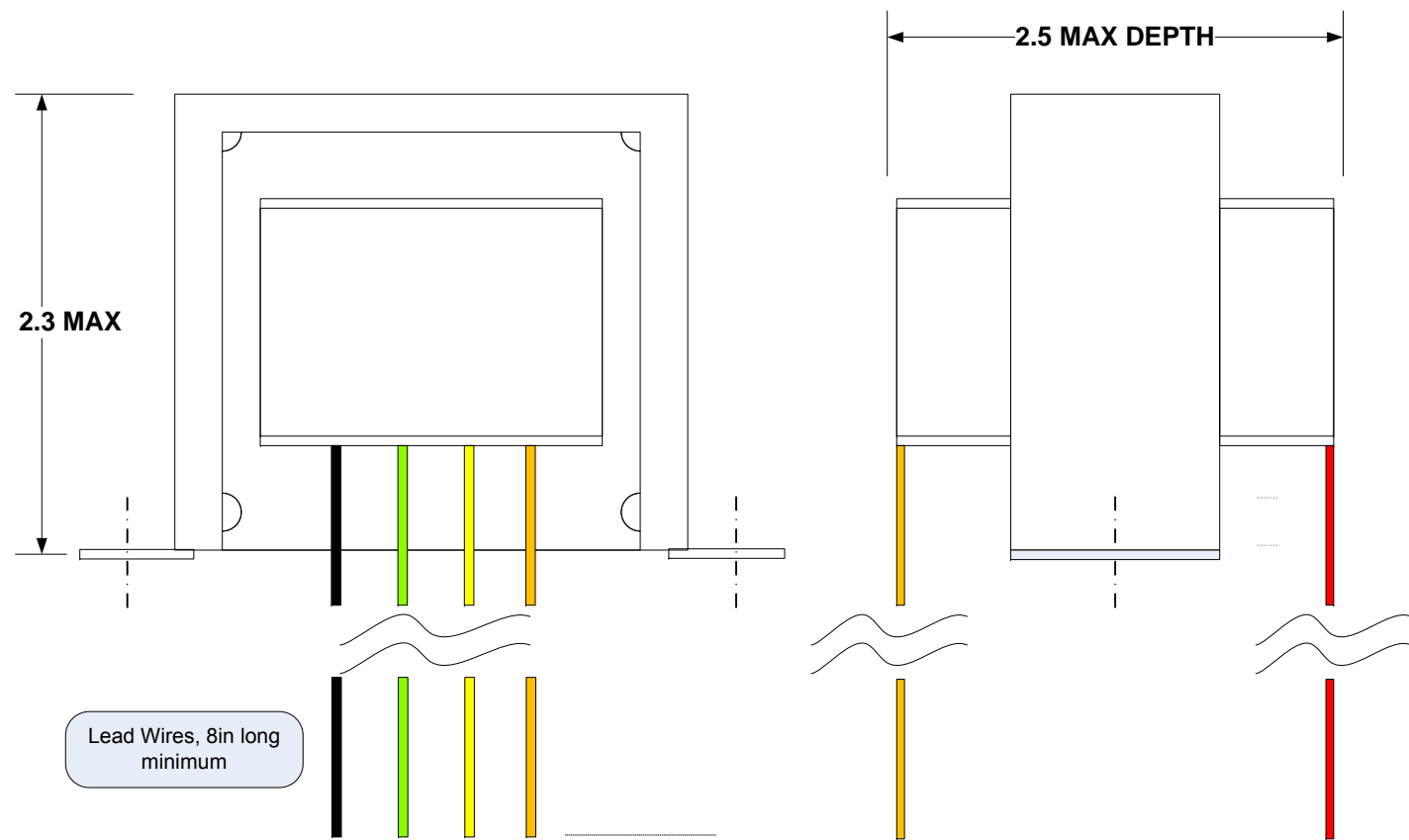


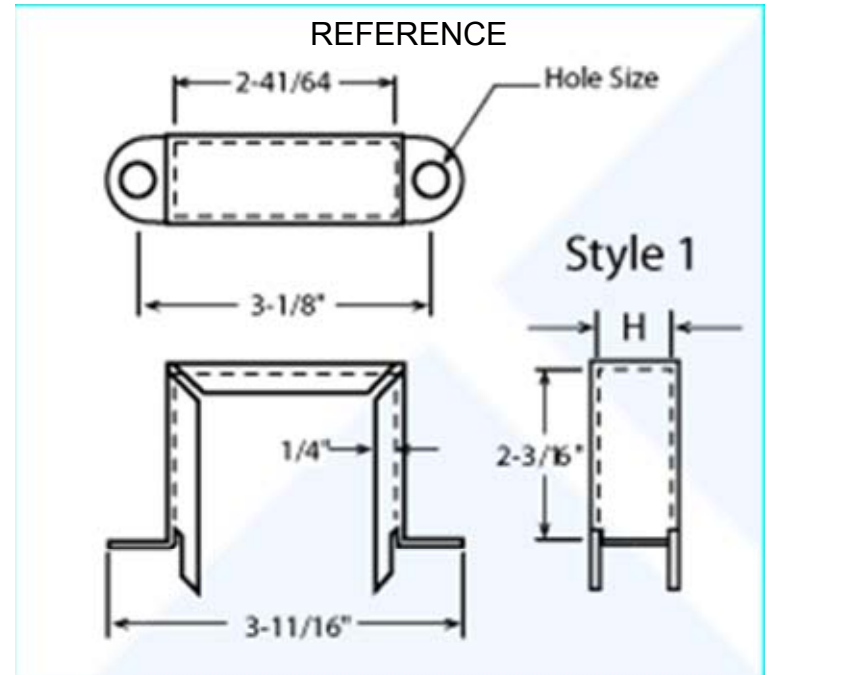
# MUSICAL POWER SUPPLIES INC. OT10SE USA STANDARD- Transformer Specification



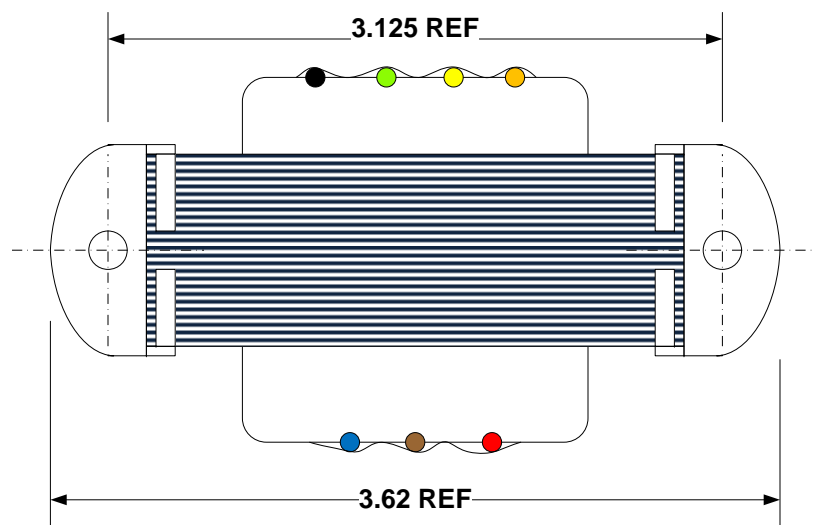
Lead Wires, 8in long minimum

**OUTPUT Connections:**  
 Black<->Green 4Ω  
 Black<->Yellow 8Ω  
 Black<->Orange 16Ω

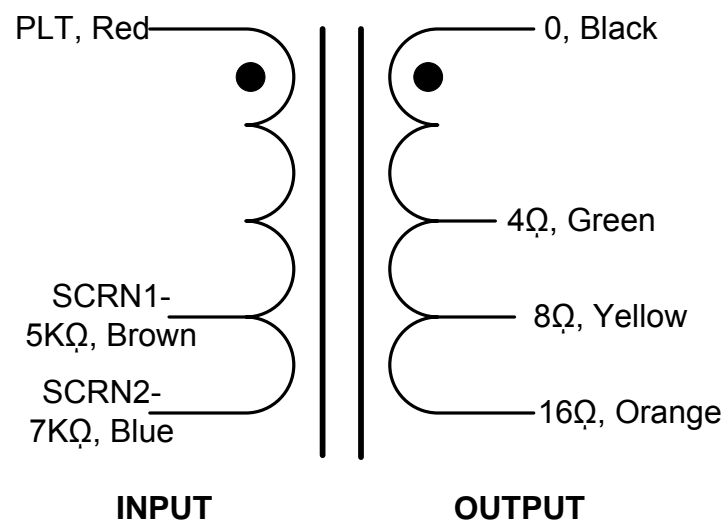
**INPUT CONNECTIONS:**  
 Red<->Brown 5000 ohm  
 Red<->Blue 7000 ohm



Stack Height	Available Styles							Available Hole Sizes	A	H	
	1	2	3	4	5	6	7				
1	X	X						0.149	5/32 X 3/8 Slots	7/8	1-1/64
					X			0.156	3/16 X 9/32 Slots		
								0.187	3/16 X 11/32 Slots		
								0.281			



## Transformer Schematic, OT10SE

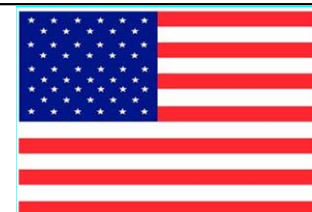


### CONSTRUCTION DETAILS-

Laminations: 29M6 x EI-87  
 Bobbin: EI-87 7/8 x 1 window, Nylon Glass Reinforced UL94V-0  
 Magnet Wire: MW80 155C or higher  
 Varnish- Class B 130C  
 Tapes: 3M #56 (Internal) & #79 (Outer Wrap)  
 Frame: Bahr's USA 7/8 x 1 ETC Electro Tin Coating 0.187 hole

### PERFORMANCE-

Operating Voltage 450Vdc Maximum  
 Output Power: 12VA Maximum  
 Maximum Recommended DC Bias Current: 60mADC  
 Designed Operating Frequency (+/-1dB): 82 to 15000 Hz  
 HiPot Test Ratings 1000Vac minimum  
 Input Impedances: 5000 or 7000 Ohms  
 Output Impedances: 4,8 and 16 Ohms  
 Application: Single-Ended Amplifiers EL84, 6V6, 6L6 Tubes 40 to 60mADC



OT10SE USA Standard Transformer

09/17/2013	SIZE B	FSCM NO	DWG NO OT10SE_STD	REV A
M.P.S	SCALE 1:1		SHEET	Page 1 1 OF 1