

Wharfedale Pro

Service Manual :

S-2500

Professional Amplifier

S-2500

★ TABLE OF CONTENTS

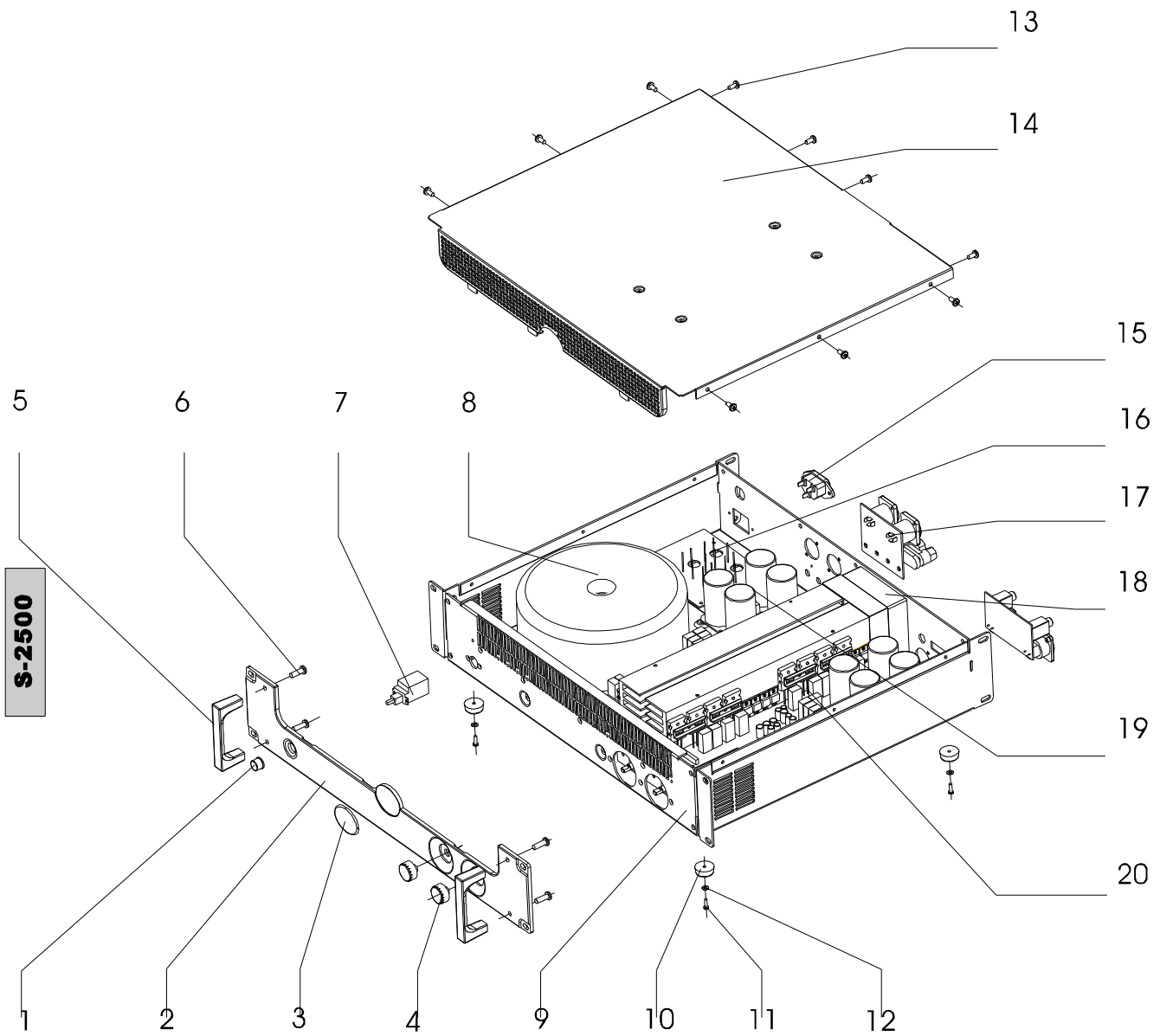
SPECIFICATIONS	2
ASSEMBLY SKETCH	3
SCHEMATIC DIAGRAM	4
ASSEMBLY PARTS LIST	7
ELECTRONIC PARTS LIST	8

★ SPECIFICATION

S-2500

Output Power	Stereo:
	490W+490W/8 ohm(0.1% THD at 20Hz-20kHz)
	700W+700W/4 ohm(0.1% THD at 20Hz-20kHz)
	500W+500W/8 ohm(0.1% THD at 1kHz)
	770W+770W/4 ohm(0.1% THD at 1kHz)
	1250W+1250W/2 ohm(0.1% THD at 1kHz)
	Bridge:
	1400W/8 ohm(0.1% THD at 20Hz*20kHz)
	1500W/8 ohm(0.1% THD at 1kHz)
	2500W/4 ohm(0.1% THD at 1kHz)
THD+N	<0.03%
Frequency Response	20Hz-20kHz 0/-0.5dB
	10Hz-40kHz 0/-2dB
Hum and Noise	-95dB
Voltage Gain	33dB
Input Sensitivity	+4dBu
Maximum Input Level	+22dBu
Input Impedance	Balanced:20kohm;Unbalanced:10kohm
Controls	
Low Cut Filter:	50Hz -6dB(-12dB/oct);30Hz -6dB(-12dB/oct)
SIGNAL Indicators:	Truns on approx -35dBu
CLIP indicators:	Turns on approx 800W*2/4 ohm output
Limiter:	Turns on approx 840W*2/4 ohm output
Amplifier Protection:	Mute function;DC detection;Overload and
	short detection;Temperature detection
Power Amp Type	Class H complementary linear output
Ac Power Options	AC100V/120V/220V/240V, 50/60Hz
Dimensions(H*W*D)	96*482.6*427(mm)/3.8"*19"*16.8"(inches)
Weight	17.7kg/39lbs

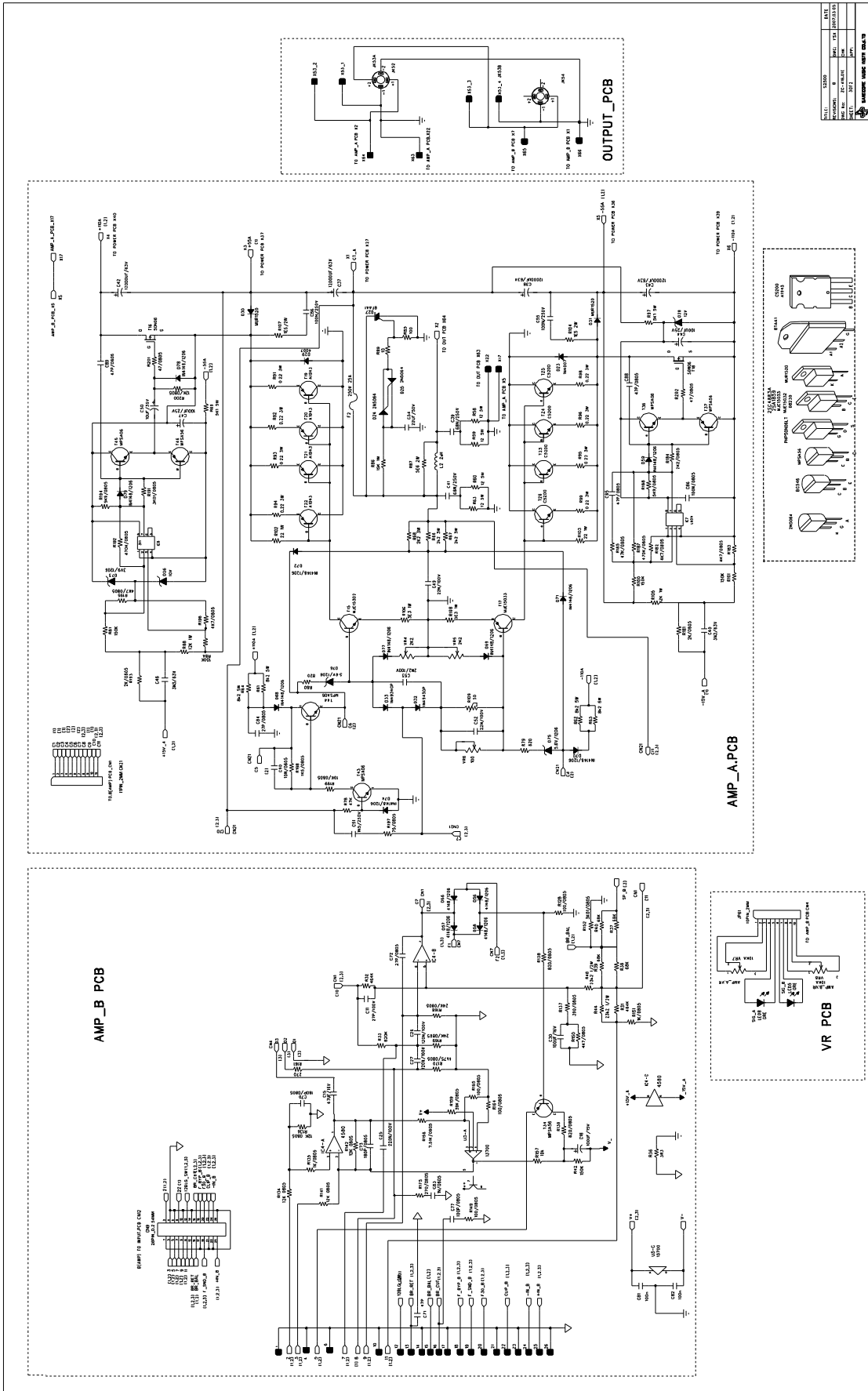
★ ASSEMBLY SKETCH



★ SCHEMATIC DIAGRAM

2500REV11.sch-2 - Thu Jan 17 10:50:59 2008

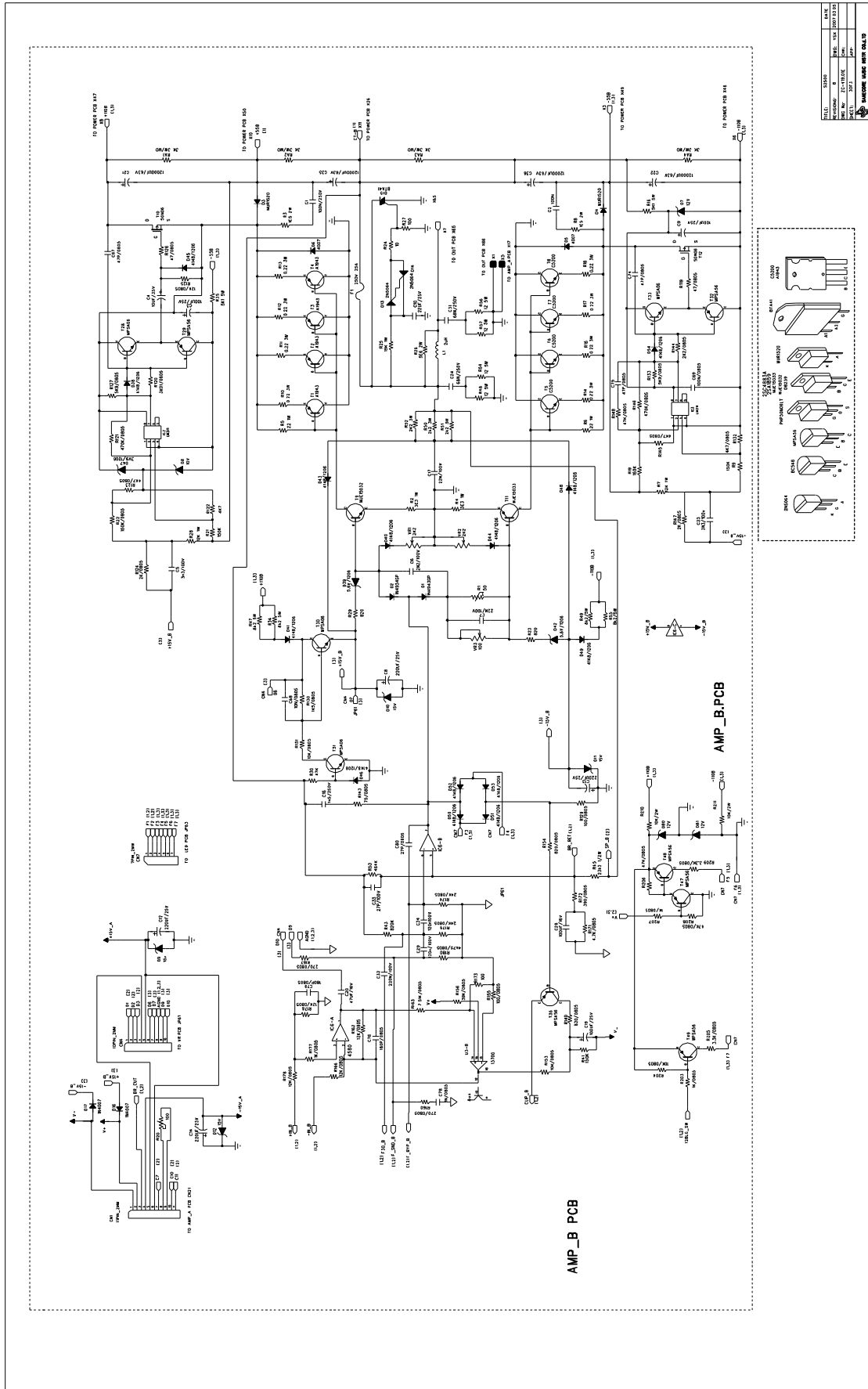
S-2500



★ SCHEMATIC DIAGRAM

2500REV11.sch-3 - Thu Jan 17 10:51:38 2008

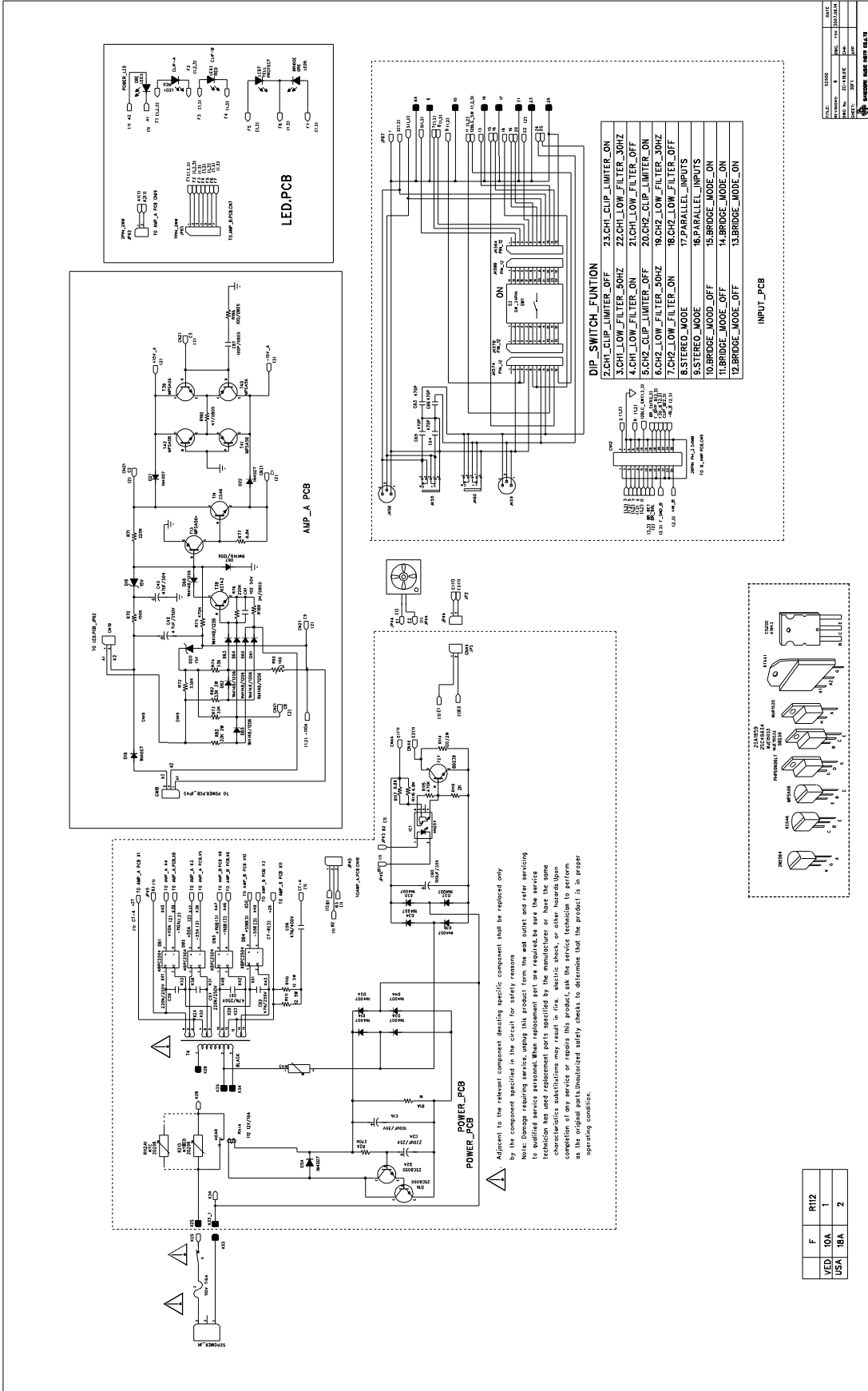
S-2500



★ SCHEMATIC DIAGRAM

2500REV11.sch-1 - Thu Jan 17 10:52:23 2008

S-2500



4.ASSEMBLY PARTS LIST

R/N	P/N	PART NAME	DESCRIPTION	QIA
1	215-1419000000R	BUTTON		1
2	300-1419000000R	FRONT PANEL		1
3	313-2104500001R	LOGO		1
4	213-1419000000R	KNOB		2
5	328-1419000000R	HANDLE		2
6	537-5001150801AR	SCREW	M5*15	4
7	041-1321000000R	POWER SWITCH		1
8	022-2000042329R	TRANSFORMER		1
9	309-1419000002R	MAIN FRAME		1
10	226-2020030800R	RUBBER FOOT		4
11	537-3001120801AR	SCREW	M3*10	4
12	513-3510090800AR	WASHER	M3	4
13	537-4001080801R	SCREW	M4*8	14
14	302-1419000000R	TOP COVER		1
15	044-0500000000R	POWER SOCKET		1
16	088-1419000004R	POWER BOARD		1
17	088-1419000038R	OUTPUT BOARD		1
18	083-0390000000R	FAN		1
19	088-1419000110R	AMP BOARD A		1
20	088-1419000310R	AMP BOARD B		1

S-2500

5.ELECTRONIC PARTS LIST

R/N	P/N	PART NAME	DESCRIPTION	QUA	LOCATION
	088-1419000004R	POWER BOARD		1	
1	001-1002205010R	RESISTOR	1K 1/4W F	1	R1A
2	001-1200810052R	RESISTOR	SQM 120R 2W 5%	1	R114
3	001-1209810052R	RESISTOR	SQM 12R 5W 5%	2	R110, R111
4	001-2002105050R	RESISTOR	2K 1/4W J	1	R118
5	001-2704205010QR	RESISTOR	270K 1/4W 1%	1	R2A
6	001-4704105050R	RESISTOR	470k 1/4W J	1	R115
7	001-6802105050R	RESISTOR	6.8K 1/4W J	2	R116, R117
8	004-3307000000R	RESISTOR	10D-20	1	R213
9	004-4430010000R	RESISTOR	SCK301ROMSBY SCK301R	1	R112
10	006-1014081153AR	CAPACITOR	100UF/35V 8*11	1	C1A
11	006-1020051393R	CAPACITOR	1000uF/35V	1	C60
12	006-2211081243R	CAPACITOR	220UF/25V 10%	1	C2A
13	013-2240421005R	CAPACITOR	220N/250V 10% PH=15MM	4	C57, 59, 61-62
14	013-4730521505R	CAPACITOR	47N/400V 10%PH=10MM	1	C58
15	017-7800000000R	IC	4N29 11-7AB	1	IC1
16	018-1300239111R	TRANSISTOR	BD239A	1	T27
17	018-3408050115R	TRANSISTOR	SS8050	2	Q1A, Q2A
18	024-2240501014R	RELAY	GZ-SH-124M(6PIN)	1	RA1A
19	031-3000004000R	FUSE	FRU110F-30(1.1A 250V)	1	R113
20	034-2224002508R	BRIDGE RECTIFIER	KBPC2504W(400V/25A)	4	DB1-4
21	044-2250000000R	JACK	2P	1	CN44
22	053-1419001604R	PCB	201*119MM	1	
23	055-0203028233R	FLAT LINE	3PIN PH=2MM L=280MM	1	JP45
24	060-0140150312R	WIRE	14#1015 BLUE L=150MM	1	X33
25	060-0140160741R	WIRE	14#1015 YELLOW L=200MM	1	X27
26	060-0140250040R	WIRE	14#1015 RED L=250MM	1	X40
27	060-0140251340R	WIRE	14#1015 YELLOW L=250MM	1	X37
28	060-0140300340R	WIRE	14#1015 BLUE L=300MM	1	X36
29	060-0140300440R	WIRE	14#1015 BLACK L=300MM	1	X39
30	060-0140360041R	WIRE	14#1015 RED L=400MM	1	X47
31	060-0140380313R	WIRE	14#1015 BLUE L=380MM	1	X49
32	060-0140380413R	WIRE	14#1015 BLACK L=380MM	1	X46
33	060-0140400112R	WIRE	14#1015 BROWN L=400MM	1	X25
34	060-0140401341R	WIRE	14#1015 ORANGE L=400MM	1	X50
35	060-0140550713R	WIRE	14#1015 YELLOW L=550MM	1	X26
36	067-2204007000R	DIODE	IN4007	9	D34-37, D1A-D5A
37	306-1102000002R	HEAT SINK		1	
	088-1419000015R	POTENTIOMETER BOARD		1	
1	019-0322122001R	LED	LED 204GD/E-A GREEN	2	LED4-5
2	020-1104120011R	POTENTIOMETER	10KB 20	2	VR7-8
3	053-1419000618R	PCB	126.2*164MM	1	
4	055-0210012144R	FLAT LINE	10PIN PH=2MM	1	X61
5	222-1500403511R	LAMP HOLDER	LEDS-15	2	LED4-5
	088-1419000038R	OUTPUT BOARD		1	
1	046-0300100000R	TERMINAL	NL-4MP	2	JK52, JK54

S-2500

5.ELECTRONIC PARTS LIST

2	053-1419000620R	PCB	148.7*114.3MM	1	
3	060-0140060513R	WIRE	14#1015 WHITE L=60MM	1	X64
4	060-0140300541R	WIRE	14#1015 WHITE L=300MM	1	X65
5	060-0140320213R	WIRE	14#1015 GREEN L=320MM	1	X63
6	060-0140440641R	WIRE	14#1015 GREEN L=440MM	1	X66
	088-1419000110R	AMP BOARD A		1	
1	001-0228809052R	RESISTOR	SQM 0R22 3W 5%	8	R91-96, 98-99
2	001-1000105050R	RESISTOR	10 OHM 1/4W J	1	R89
3	001-1001105050R	RESISTOR	100 OHM 1/4W J	1	R85
4	001-1202707012R	RESISTOR	12K 1W 5% MB/5MM	2	R88, 105
5	001-1209810052R	RESISTOR	SQM 12R 5W 5%	4	R58-60, 63
6	001-1502707012R	RESISTOR	15K 1W 5% MB/5MM	1	R86
7	001-1504105050R	RESISTOR	150K 1/4W J	5	R70, 81, 84, 100, 101
8	001-1508708012R	RESISTOR	1R5 2W 5% MB/5MM	2	R104, 107
9	001-2201709052R	RESISTOR	2K2 3W 5% MB/5MM	3	R66-68
10	001-2204105050R	RESISTOR	220K 1/4W J	2	R71, 76
11	001-2209707012R	RESISTOR	22R 1W 5% MB/5MM	2	R102, 103
12	001-3302808052R	RESISTOR	SQM 33K 2W 5%	2	R82, 83
13	001-3303105050R	RESISTOR	33K 1/4W J	2	R73-74
14	001-3304105050R	RESISTOR	330K 1/4W J	1	R72
15	001-3308707052R	RESISTOR	3R3 1W 5% MB/5MM	2	R106, 108
16	001-4703105050R	RESISTOR	47K 1/4W J	1	R78
17	001-4704105050R	RESISTOR	470k 1/4W J	1	R75
18	001-5101810052R	RESISTOR	SQM 5K1 5W 5%	2	R69, 97
19	001-5608708052R	RESISTOR	5R6 2W 5% MB/5MM	1	R87
20	001-6802105050R	RESISTOR	6.8K 1/4W J	1	R77
21	001-8201105050R	RESISTOR	820 OHM 1/4W J	2	R79, 80
22	001-8201810052R	RESISTOR	SQM 8K2 5W 5%	4	R61-62, 64-65
23	004-4431020000R	RESISTOR	100R PTMS21010RP730Y	1	R90
24	004-4432010000R	RESISTOR	TTC05050KSY 50R	1	R109
25	005-1000306101R	RESISTOR	100R TA0631V1B100C1	1	VR6
26	005-2201306101R	RESISTOR	2K2 TA0631 V1B22200C1	2	VR4, VR5
27	006-1001051163R	CAPACITOR	SM10uF 50V 10%	1	C50
28	006-1011061143R	CAPACITOR	SM 100uF 25V 10%	2	C44, 47
29	006-1234305078R	CAPACITOR	12000UF/63V 20%	4	C37-38, C42-43
30	006-2211061242R	CAPACITOR	22UF/25V 10%	1	C54
31	006-4701061263R	CAPACITOR	47U 50V 10%	1	C45
32	006-4791081203R	CAPACITOR	4.7UF/250V 8*11.5	1	C48
33	008-4701030005R	CAPACITOR	470PF/300V 10%	4	C63-66
34	013-1040420503R	CAPACITOR	100N/250V 6*8 10%PH=5MM	2	C55, 56
35	013-1520421005R	CAPACITOR	1N5/250V 10% PH=10MM	1	C51
36	013-2220310501R	CAPACITOR	2.2nF 100V 5%	1	C53
37	013-2230310751R	CAPACITOR	22N 100V 5%	2	C49, 52
38	013-3320210501R	CAPACITOR	3.3N 63V J	2	C40, 46
39	013-6830420506R	CAPACITOR	68N/250V 6*8 10%PH=5MM	2	C39, 41
40	018-0101943121R	POWER TUBE	2SA1943	4	T19-22
41	018-0305200121R	POWER TUBE	2SC5200	4	T23-26

S-2500

5.ELECTRONIC PARTS LIST

42	018-2700056115R	TRANSISTOR	MPSA56	1	T13
43	018-2905064115R	TRANSISTOR	2N5064	2	D24, D25
44	018-2905551115R	TRANSISTOR	2N5551	1	T14
45	018-3800060122R	FIELD EFFECT TRANSISTOR	NTP60N06	2	T16, T18
46	018-6015032310R	TRANSISTOR	MJE15032G	1	T15
47	018-6015033310R	TRANSISTOR	MJE15033	1	T17
48	019-0010000152R	DIODE	MUR1520	2	D30-31
49	021-6004111002R	SILICON	BTA41-600B 600V/41A	1	D27
50	031-1300636121R	FUSE	250V 25A 6*30	1	F2
51	042-1900000000R	SWITCH	RS-12-R-RS	1	SW1
52	044-2930000000R	JACK	2PIN PH=2MM	1	CN19
53	044-2940000000R	JACK	3PIN PH=2MM	1	CN18
54	048-1700000000R	CONNECTOR	NYS139 K3Y1	2	JK56, JK58A
55	049-2102224111R	JACK	PHONE JY6351-02-250	2	JK60, JK55
56	050-0200070011R	FUSE HOLDER	6*30 FUC-3	2	
57	055-0326034228R	FLAT LINE	2*13PIN PH=2.54MM	1	CN12
58	056-2111002200R	JACK	11PIN 2.0PH	1	CN21
59	057-2542022121R	JACK	12PIN PH=2.54	2	JK57A, JK58A
60	067-2204007000R	DIODE	1N4007	5	D18, D21-23, D29
61	067-2204934000R	DIODE	1N4934 100V 1A	2	D32, D33
62	067-3304740000R	ZENER	1N4740A 1W 10V!	1	D26
63	067-3304742000R	ZENER	1N4742 12V 1W	1	D28
64	067-3304744000R	ZENER	1N4744A 15V-1W	2	D19, D20
65	080-0000100131R	INDUCTOR	12UH	1	
66	002-1001032050R	RESISTOR	100 OHM 0805 1/8W	1	R186
67	002-1003022010R	RESISTOR	0805 10K 1/10W F	1	R199
68	002-1203032010QR	RESISTOR	12K 1/8W 1%	1	R200
69	002-1502032050R	RESISTOR	1.5K 0805 1/8W	1	R198
70	002-2002022005QR	RESISTOR	2K 0.1W 0.5%	3	R181, 189, 193
71	002-2202022010R	RESISTOR	2.2K 1/10W F	1	R184
72	002-3012032010R	RESISTOR	3K01 1/8W 1%	1	R191
73	002-4700032010QR	RESISTOR	47 OHM 1/8W 1%	3	R190, 201, 202
74	002-4702022010R	RESISTOR	RC05K472JT	4	R182-183, 195-196
75	002-4703032050R	RESISTOR	47K 0805 1/8W	1	R185
76	002-4704032050QR	RESISTOR	470K 1/8W 5%	2	R187, 192
77	002-5902032010R	RESISTOR	5.90K 1/8W 1%	2	R188, 194
78	002-7500032010R	RESISTOR	75 OHM 1/8W 1%	1	R197
79	007-1001002060R	CAPACITOR	100NF/50V	1	C86
80	007-1001052060R	CAPACITOR	100PF50V 5%	1	C87
81	007-1002052060R	CAPACITOR	SMD 1nF 50V 5%	1	C91
82	007-1003062060R	CAPACITOR	10nF 50V 10%	1	C90
83	007-2700052060QR	CAPACITOR	27P 5% NPO SMD	1	C84
84	007-4700052060R	CAPACITOR	47PF 50V 5%	3	C85, 88, 89
85	017-7770000000R	IC	LM311 S08 0N	2	IC7-8
86	018-2700006227R	TRANSISTOR	MMBTA06	6	T36, 39, 42-45
87	018-2700056227R	TRANSISTOR	MMBTA56	4	T37, 40-41, 46
88	018-7700042227R	TRANSISTOR	KST42	1	T38

S-2500

5.ELECTRONIC PARTS LIST

89	053-1419000611R	PCB	278**114MM	1	
90	067-2204148111R	DIODE	1N4148 (1N4148W-7)	18	D59-72, 74, 77-79
91	067-3300009110R	DIODE	3V9 1206 ST	1	D73
92	067-3300056110R	DIODE	5.6V 1/2W 1206	2	D75-76
93	306-1419000001R	HEAT SINK	270*79*35	1	
96	513-3005050800AR	PLAT WASHER		6	
97	517-3000000800AR	SPRING WASHER	M3	4	
98	520-3006400000R	PLASTIC WASHER	TW-4	6	
99	537-3001140801AR	SCREW	MP(+)*3*14	10	
	088-1419000310R	AMP BOARD B		1	
1	001-0228809052R	RESISTOR	SQM 0R22 3W 5%	8	R10-15, 17-18
2	001-1000105050R	RESISTOR	10 OHM 1/4W J	1	R24
3	001-1001105050R	RESISTOR	100 OHM 1/4W J	1	R27
4	001-1202707012R	RESISTOR	12K 1W 5% MB/5MM	2	R7, R28
5	001-1209810052R	RESISTOR	SQM 12R 5W 5%	4	R48, 54, 56-57
6	001-1502707012R	RESISTOR	15K 1W 5% MB/5MM	1	R25
7	001-1504105050R	RESISTOR	150K 1/4W J	6	R9, 19, 21, 22, 41-42
8	001-1508708012R	RESISTOR	1R5 2W 5% MB/5MM	2	R3, 8
9	001-2201709052R	RESISTOR	2K2 3W 5% MB/5MM	3	R50-52
10	001-2209707012R	RESISTOR	22R 1W 5% MB/5MM	2	R5-6
11	001-2322206010R	RESISTOR	1/2W 23K2 1%	3	R44-46
12	001-3001709050R	RESISTOR	3W 3K 5%	4	C21-22, 35-36
13	001-3308707052R	RESISTOR	3R3 1W 5% MB/5MM	3	R2, 4, 36
14	001-4643105050R	RESISTOR	1/4W 464K J	3	R32, 53, 31
15	001-4703105050R	RESISTOR	47K 1/4W J	1	R30
16	001-5101810052R	RESISTOR	SQM 5K1 5W 5%	2	R16, 35
17	001-5608708052R	RESISTOR	5R6 2W 5% MB/5MM	1	R26
18	001-6803105050R	RESISTOR	68K 1/4W J	4	R37-40
19	001-8201105050R	RESISTOR	820 OHM 1/4W J	2	R23, 29
20	001-8201810052R	RESISTOR	SQM 8K2 5W 5%	6	R34, 47, 49, 55, 210, 211
21	001-8204205010QR	RESISTOR	820K 1/4W 1%	2	R33, 43
22	004-4431020000R	RESISTOR	100R PTMS21010RP730Y	1	R20
23	004-4432010000R	RESISTOR	TTC05050KSY 50R	1	R1
24	005-1000306101R	RESISTOR	100R TA0631V1B100C1	1	VR3
25	005-2201306101R	RESISTOR	2K2 TA0631 V1B22200C1	2	VR1, 2
26	006-1001051163R	CAPACITOR	SM10uF 50V 10%	1	C4
27	006-1011061143R	CAPACITOR	SM 100uF 25V 10%	4	C3, 9, 18-19
28	006-1011081232R	CAPACITOR	100UF/16V 8*11.5	2	C28, 30
29	006-1234305078R	CAPACITOR	12000UF/63V 20%	4	C21-22, 35-36
30	006-2211061242R	CAPACITOR	22UF/25V 10%	1	C10
31	006-2211081243R	CAPACITOR	220UF/25V 10% 8*11.5	4	C8, 12-14
32	006-4701071232R	CAPACITOR	47UF/16V 6.3*11	2	C15, 20
33	008-2700005015R	CAPACITOR	NPO 27PF-50V-10%	2	C11, 33
34	013-1040420503R	CAPACITOR	100N/250V 6*8	2	C1, 2
35	013-1240310503R	CAPACITOR	120NF/100V 5% PH=5MM	4	C26-27, 29, 34
36	013-1520421005R	CAPACITOR	1N5/250V 10% PH=10MM	1	C16
37	013-2220310501R	CAPACITOR	2.2nF 100V 5%	1	C6

S-2500

5.ELECTRONIC PARTS LIST

38	013-2230310751R	CAPACITOR	22N 100V 5%	2	C7, 17
39	013-2240320503R	CAPACITOR	220NF100V 7.5*5.0*8.0	2	C25, 32
40	013-3320210501R	CAPACITOR	3.3N 63V J	2	C5, 23
41	013-6830420506R	CAPACITOR	68N/250V 6*8 10%PH=5MM	2	C24, 31
42	018-0101943121R	POWER TUBE	2SA1943	4	T1-4
43	018-0305200121R	POWER TUBE	2SC5200	4	T5-8
44	018-2905064115R	TRANSISTOR	2N5064	2	D13-14
45	018-3800060122R	FIELD EFFECT TRANSISTOR	NTP60N06	2	T10, 12
46	018-6015032310R	TRANSISTOR	MJE15032G	1	T9
47	018-6015033310R	TRANSISTOR	MJE15033	1	T11
48	019-0010000152R	DIODE	MUR1520	2	D3-4
49	019-0311122001R	LED	204HD/E-A RED	2	LED1-2
50	019-0322122001R	LED	LED 204GD/E-A GREEN	2	LED3, 6
51	019-0333122001R	LED	LED 204YD/E-A YELLOW	1	LED7
52	021-6004111002R	SILICON	BTA41-600B 600V/41A	1	D15
53	031-1300636121R	FUSE	250V 25A 6*30	1	F1
54	044-2950000000R	JACK	2*13PIN PH=2.54MM	1	CN9
55	044-3160000000R	JACK	7PIN PH=2.00MM	1	CN7
56	050-0200070011R	FUSE HOLDER	6*30 FUC-3	2	
57	055-0202012144R	FLAT LINE	2PIN PH=2MM UL26#	1	JP62
58	055-0207012144R	FLAT LINE	7PIN PH=2MM UL26#	1	JP63
59	056-2110002160R	JACK	10Pin 2.00mm	1	CN4
60	056-2111002200R	JACK	11PIN 2.0PH	1	CN1
61	067-2204007000R	DIODE	1N4007	4	D5-6, 16-17
62	067-2204934000R	DIODE	1N4934 D0-41 100V 1A	2	D1-2
63	067-3304740000R	ZENER	1N4740A 1W 10V!	1	D8
64	067-3304742000R	ZENER	1N4742 12V 1W	3	D7, 80, 81
65	067-3304744000R	ZENER	1N4744A 15V-1W	4	D9-12
66	080-0000100131R	INDUCTOR	12UH	1	L1
67	002-1001032050R	RESISTOR	100 OHM 0805 1/8W	7	R128-129, 149, 155, 164-165, 173
68	002-1002032050R	RESISTOR	1K 0805 1/8W	5	R135, 151, 177, 203, 207
69	002-1003022010R	RESISTOR	0805 10K 1/10W F	12	R131, 153, 157, 204, 134, 136, 141-142, 162, 166, 176, 178
70	002-1203032010QR	RESISTOR	12K 1/8W 1%	1	R125
71	002-1502032050R	RESISTOR	1.5K 1/8W	1	R130
72	002-2002022005QR	RESISTOR	2K 0.1W 0.5%	2	R124, 147
73	002-2202022010R	RESISTOR	2.2K 1/10W F	1	R144
74	002-2402032050R	RESISTOR	24K 1/8W	4	R168-169, 179, 174
75	002-2701032010R	RESISTOR	270 OHM 1/8W 1%	4	R160-161, 167, 175
76	002-3012032010R	RESISTOR	3K01 1/8W 1%	2	R120, 152
77	002-3302032050R	RESISTOR	3.3K 1/8W	2	R205, 209
78	002-3901032010R	RESISTOR	390OHM 1/8W 1%	2	R137, 172
79	002-3903032010R	RESISTOR	39K 1/8W 1%	2	R156, 159
80	002-4700032010QR	RESISTOR	47 OHM 1/8W 1%	2	R119, 126

S-2500

5.ELECTRONIC PARTS LIST

81	002-4702022010R	RESISTOR	RC05K472JT	6	R150, 171, 122-123, 132, 145
82	002-4703032050R	RESISTOR	47K 1/8W	3	R148, 206, 208
83	002-4704032050QR	RESISTOR	470K 1/8W 5%	2	R121, 146
84	002-4752032010R	RESISTOR	4K75 0805 1/8W 1%	2	R170, 180
85	002-5902032010R	RESISTOR	5.90K 1/8W 1%	2	R127, 133
86	002-7500032010R	RESISTOR	75 OHM 1/8W 1%	1	R143
87	002-7502032010R	RESISTOR	7.5K OHM 1/8W 1%	2	R158, 163
88	002-8201032010R	RESISTOR	820 OHM 1/8W 1%	4	R138-140, 154
89	007-1001002060R	CAPACITOR	100NF/50V	3	C69, 81, 82
90	007-1001052060R	CAPACITOR	100PF50V 5%	1	C77
91	007-1002052060R	CAPACITOR	SMD 1nF 50V 5%	2	C78, 83
92	007-1003062060R	CAPACITOR	10nF 50V 10%	1	C68
93	007-1801062065R	CAPACITOR	180PF 0805 50V 10%	4	C70, 73, 76, 79
94	007-2700052060QR	CAPACITOR	27P 5% NPO SMD	2	C72, 80
95	007-4700052060R	CAPACITOR	47PF 50V 5%	4	C67, 71, 74, 75
96	017-7770000000R	IC	LM311	2	IC2-3
97	017-7780000000R	IC	NJM13700M JRC! W=4.9MM	1	IC5
98	017-9090000000R	IC	AZ4580 SOIC-8 W=3.9MM	2	IC4, IC6
99	018-2700006227R	TRANSISTOR	MMBTA06	4	T28, 30-31, 33
100	018-2700056227R	TRANSISTOR	MMBTA56	7	T29, 32, 34-35, 47-49
101	053-1419000610R	PCB	279.5*114MM	1	
102	067-2204148111R	DIODE	1N4148 (1N4148W-7)	18	D38, 40-41, 43-46, 48-58
103	067-3300009110R	DIODE	3V9 1206 ST	1	D47
104	067-3300056110R	ZENER	5.6V 1/2W 1206	2	D39, 42
105	222-0120403011R	LAMP HOLDER	LEDS-12	5	LED1-3, 6, 7
106	306-1419000000R	HEAT SINK	270*79*36	1	
107	513-3005050800AR	FLAT WASHER		6	
108	517-3000000800AR	SPRING WASHER	M3	4	
109	520-3006400000R	PLASTIC WASHER	TW-4	6	
110	537-3001140801AR	SCREW	MP(+) 3*14	10	
1	022-2000042329R	TRANSFORMER	2500W 50HZ 230V	1	
2	041-1321000000R	POWER SWITCH	RS4-13520-60-RS	1	
3	044-0500000000R	POWER SOCKET	SS-7B-10-4.8	1	
4	046-0200000000R	TERMINAL POST	B2029002	2	
5	055-0211021244R	FLAT LINE	11PIN PH=2MM L=300MM	1	
6	060-0140150114R	WIRE	14#1015 BROWN L=150MM	1	
7	060-0140151955R	WIRE	14#1015 YELLOW L=150MM	1	
8	060-0140250233R	WIRE	14#1015 GREEN L=250MM	1	
9	060-0140400114R	WIRE	14#1015 BROWN L=400MM	1	
10	062-5318011110R	POWER CORD	H05W-F3*0.75MM L=1.92M	1	
11	071-1100000000R	CABLE TIES	100MM YJ-100	10	
12	079-0191000000R	BREAKER	ZE-800 10A/250V	1	
13	083-0390000000R	FAN	FD248025EB-N	1	

S-2500