

NOTES: COMPONENT NOMENCLATURE SCHEDULE: PARTS DESIGNATED FROM 1 TO 300 ARE FOUND ON PRE APP P.C BOARD 210028, FROM 301 TO 300 ON POWER P.C. BOARD 210029 AND FROM 301 TO 400 ON CHASSIS.

-ALL RESISTORS IN OHMS 1/2 W 10% UNLESS OTHERWISE SPECIFIED

-ALL CAPACITORS IN MFD. AND 250 V UNLESS OTHERWISE SPECIFIED.

-D.C. VOLTAGE READINGS WITH NO SIGNAL APPLIED USING A 20,000 OHM PER VOLT VOLTMETER.

-NUMBERS IN PARENTHESES REFER TO MAXIMUM PART NUMBERS.

-D.C. VOLTAGE READINGS ARE POSITIVE WITH RESPECT TO CHASSIS GROUND UNLESS OTHERWISE SPECIFIED.

-CIRCUIT OF CHASSIS MAY VARY SLIGHTLY FROM THAT SHOWN HERE DUE TO NORMAL PRODUCTION CHANGES.

-ADJUST R212 BIAS POT. TO READ .011 VOLTS D.C. WITH NO LOAD CONNECTED AND NO SIGNAL APPLIED ACROSS PINS 6 AND 9 OF OUTPUT CONNECTOR.

-INPUT SENSITIVITY WITH CONTROLS SET FOR FLAT FREQUENCY RESPONSE, IS .010 VOLTS RMS INPUT FOR 28.28V OUTPUT, VOLTAGE AT MAXIMUM.

-POWER OUTPUT SHOULD BE AT LEAST 200 WATTS RMS CONTINUOUS AT A LESS THAN .2% T.H.D.

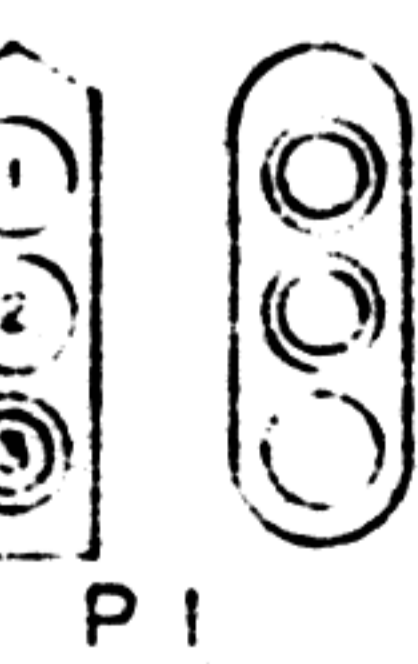
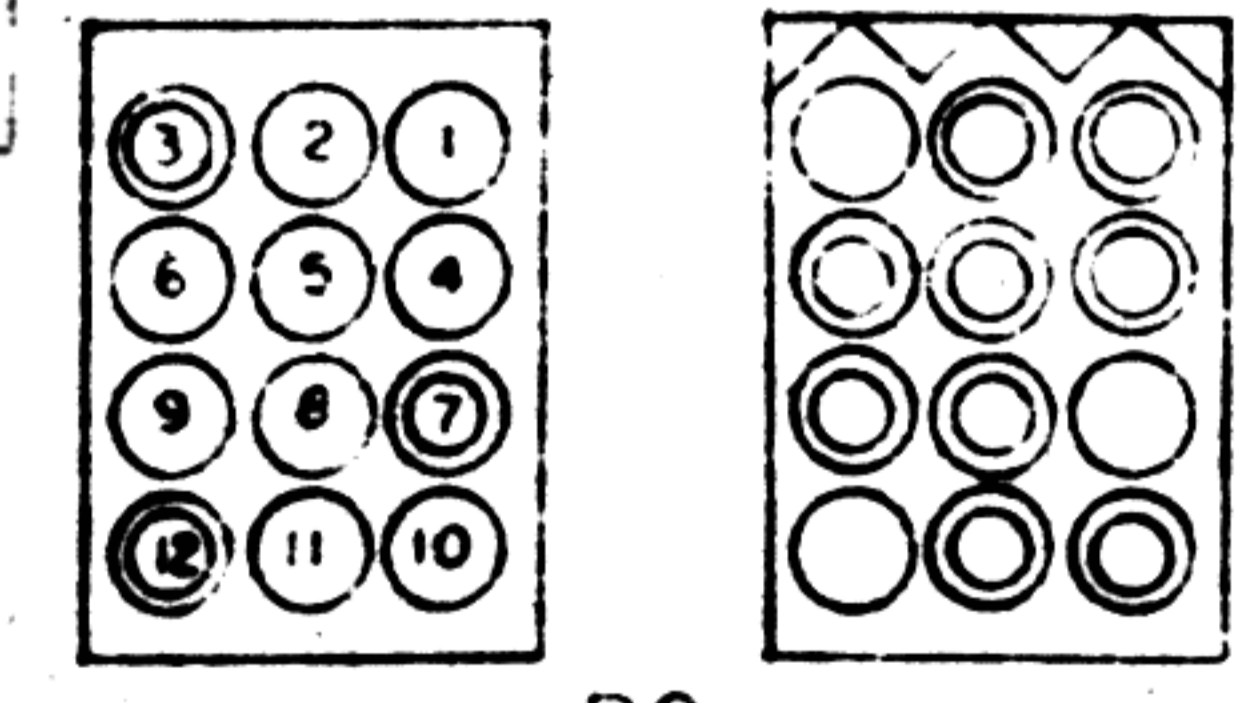
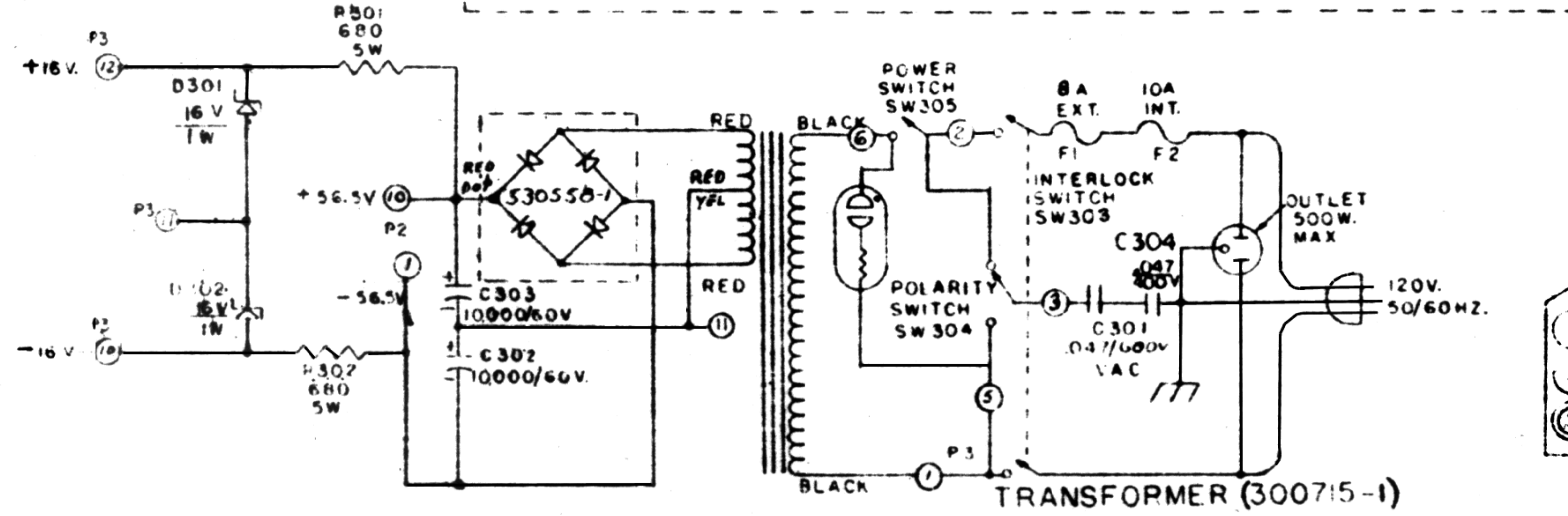
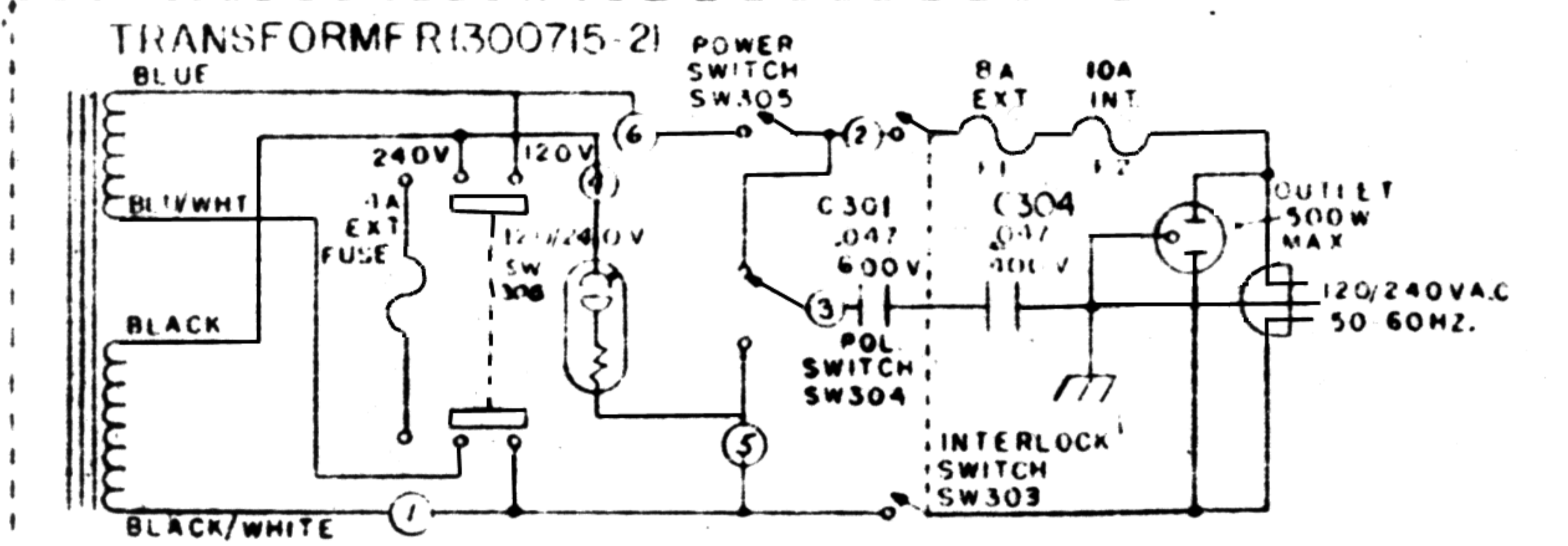
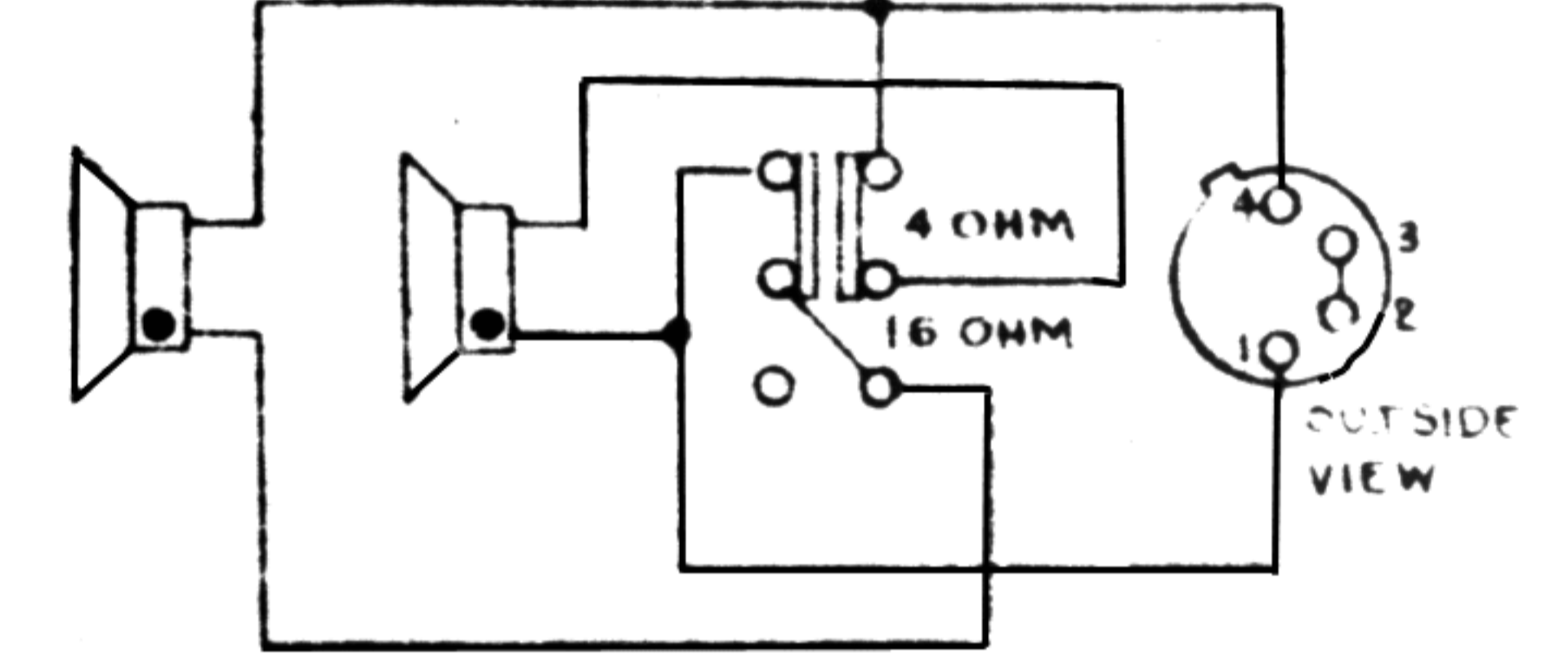
ALL D.C. VOLTAGE READINGS MADE WITH NO SIGNAL APPLIED.

CAUTION: ALL SEMICONDUCTORS ARE SELECTED TO MEET SPECIFICATIONS AND ARE TESTED PRIOR TO AND AFTER ASSEMBLY IN THIS PRODUCT. OTHER THAN FACTORY REPLACEMENTS MAY CAUSE AMPLIFIER TO FAIL AND ARE NOT COVERED UNDER WARRANTY.

SEMICONDUCTOR CROSS REFERENCE:

IC 1	IC1	610265-1	RAYTHEON
IC 2	IC2	610265-2	FATROHLD
Q201, Q202, Q203	2N4249	610270-1	FATROHLD
Q204	MJE350	610264-2	MOTOROLA
Q205	MJE340	610264-1	MOTOROLA
Q206	2N3568	610263-3	FATROHLD
Q207	2N3638	610263-4	FATROHLD
Q208	2N3403	610263-6	GE
Q209	1N4	610262-3	APPLIC
Q210	1N456	610262-2	APPLIC
Q211, Q212, Q213, Q214	2N4348	610259-2	IBM

COMPONENTS IN THIS BOX ARE IN SPEAKER ENCLOSURE



4	59738-2
7	59738-1
SIZE	H1 PART NO. R

APPROVED BY DATE: 11/3/71 SCALE: 1:1	ADDITIONAL MAGNAVOX SPECIFICATIONS	MATERIAL	FINISH	
	TOLERANCES - UNLESS OTHERWISE SPECIFIED DECIMALS ± TOL. FRACTIONS ± TOL. .X .50 UP TO 6 1/32 .XX .50 6 TO 24 1/32 .XXX .50 ABOVE 24 1/16	THE AMPEG COMPANY DIVISION OF THE MAGNAVOX COMPANY P.O. BOX 518 LINDEN, N.J. 07036		
	THICKNESS - CLASS 2 CUT AFTER PLATING FINISH - POLYURETHANE DIMENSIONS IN INCHES UNLESS OTHERWISE SPECIFIED OR INDICATED DO NOT SCALE DRAWING	V-6B		
	DATE: 11/3/71 DESIGNED BY: J. DISANO CHECKED BY: W. H. [unclear] DRAWING NO: 591738 SCALE: 1:1	SIGNATURE: [unclear] DATE: 11/3/71 PART NO: 591738		