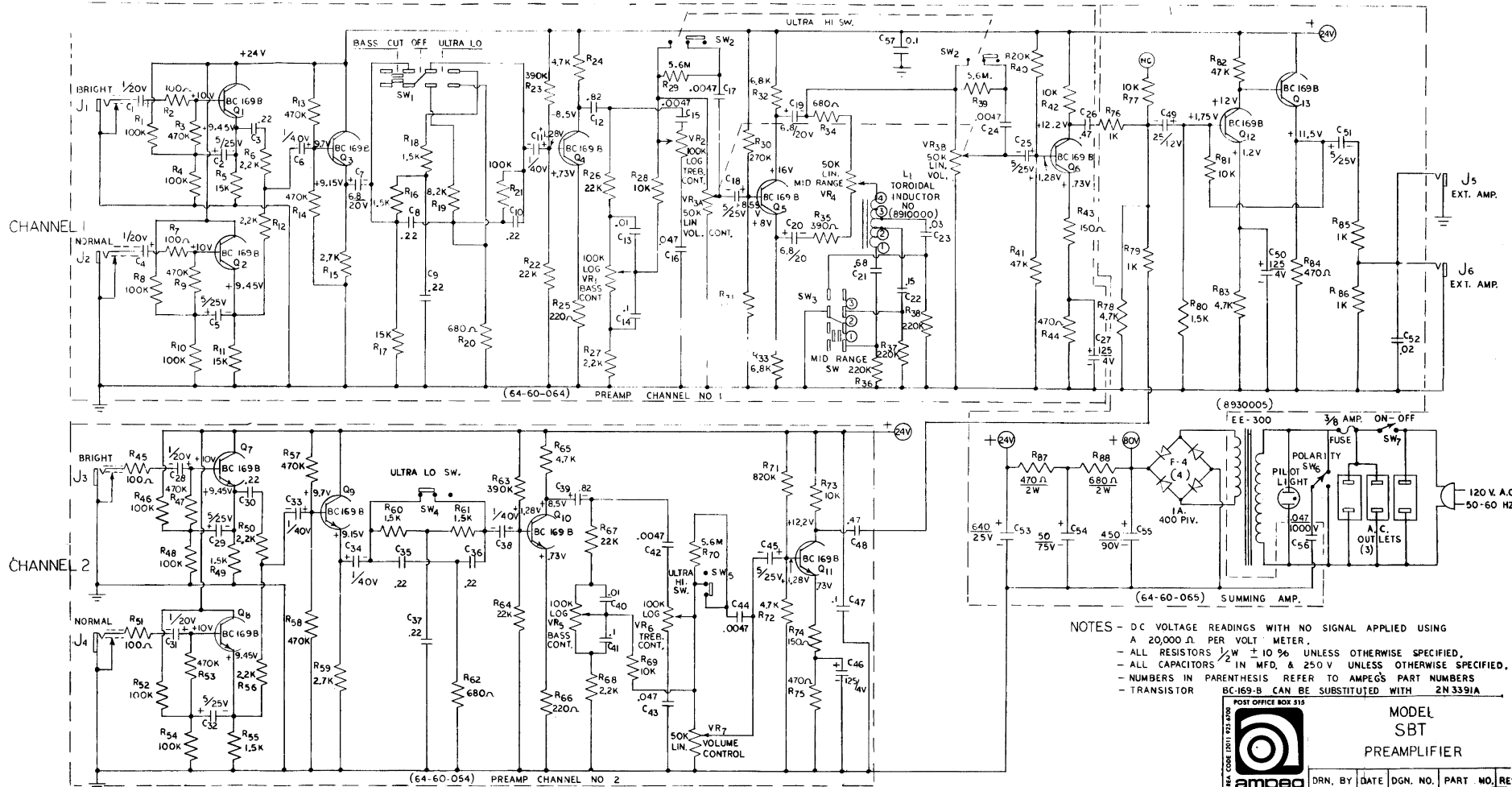


SBT PREAMP

Ampeg



NOTES - DC VOLTAGE READINGS WITH NO SIGNAL APPLIED USING A 20,000 Ω PER VOLT METER.
 - ALL RESISTORS 1/2 W ± 10% UNLESS OTHERWISE SPECIFIED.
 - ALL CAPACITORS 1/2 W IN MFD. & 250 V UNLESS OTHERWISE SPECIFIED.
 - NUMBERS IN PARENTHESIS REFER TO AMPEGS PART NUMBERS
 - TRANSISTOR BC169-B CAN BE SUBSTITUTED WITH 2N 3391A

POST OFFICE BOX 515
 LINDEN, NEW JERSEY 07036

MODEL SBT PREAMPLIFIER

| | | | | |
|---------|------|----------|----------|----|
| DRN. BY | DATE | DGN. NO. | PART NO. | RE |
| C.W. | 6/69 | 05700 | 4010205 | |