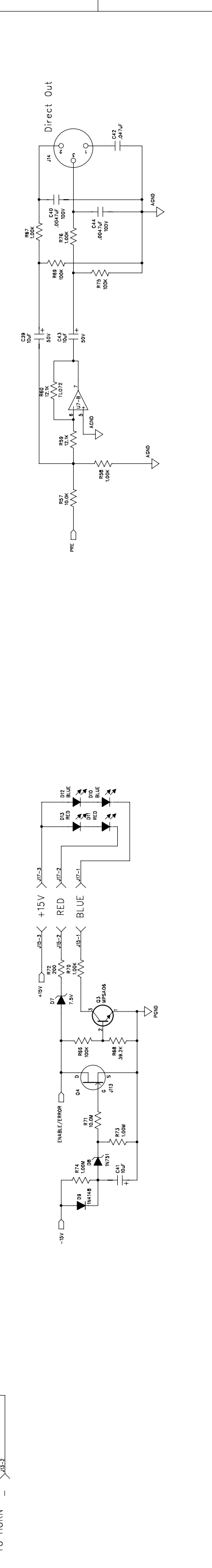
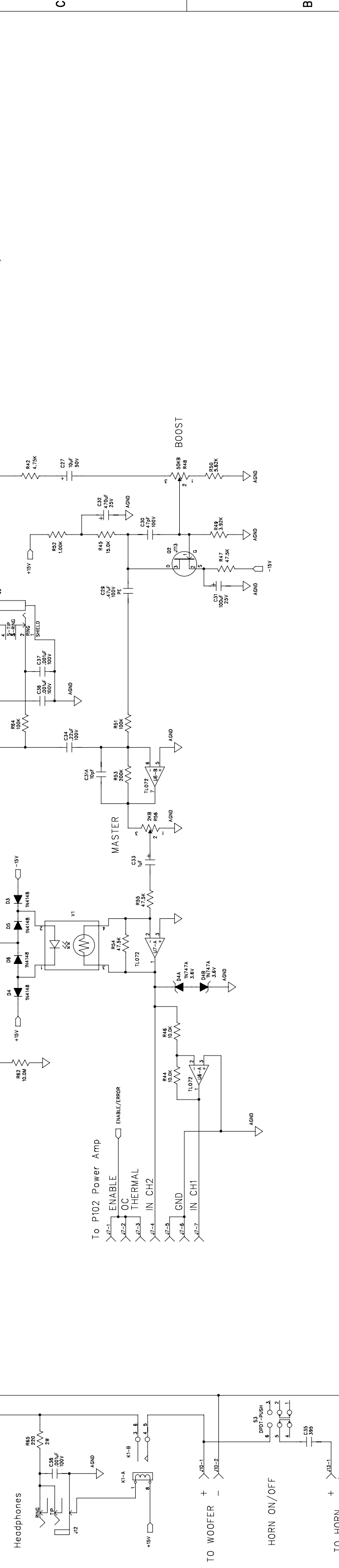
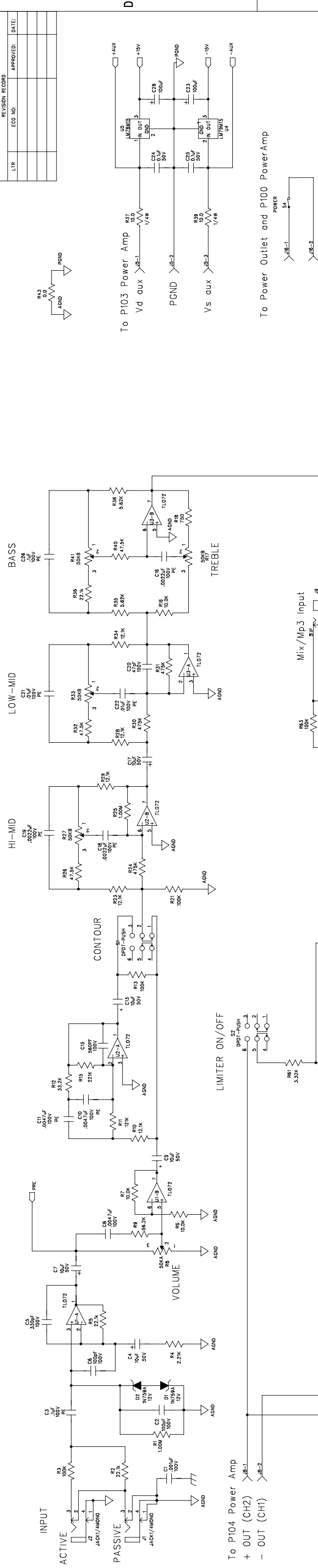


1 2 3 4 5 6



gallien technology

2234 INDUSTRIAL DRIVE
STOCKTON CA. 95206
VOICE: 209-234-7300
FAX: 209-234-8420

NOT VALID UNLESS STAMP IS RED

| APPROVALS | | TITLE | |
|------------------------|----------|--------------------------|---------|
| INIT | DATE | MB 115 PREAMP | |
| DESIGNED: R.A.G. | 03/09/09 | DRAWING NO: 1206-0520-A7 | REV. A7 |
| DRAWN: D.O. | 03/09/09 | PART NO: 206-0520-A7 | |
| ELEC: | | COMPANY: GALLIEN-KRUEGER | |
| DATE MODIFIED: 6/24/09 | | FILENAME: 6520A7.SCH | |
| Q/A: | | RELEASED: | |

A4: ALL POTS WITH NO BRACKET
A6: NEW LIMITER
A7: ADDED C31A,D4A,D4B
A7: R9,R72 CHANGED