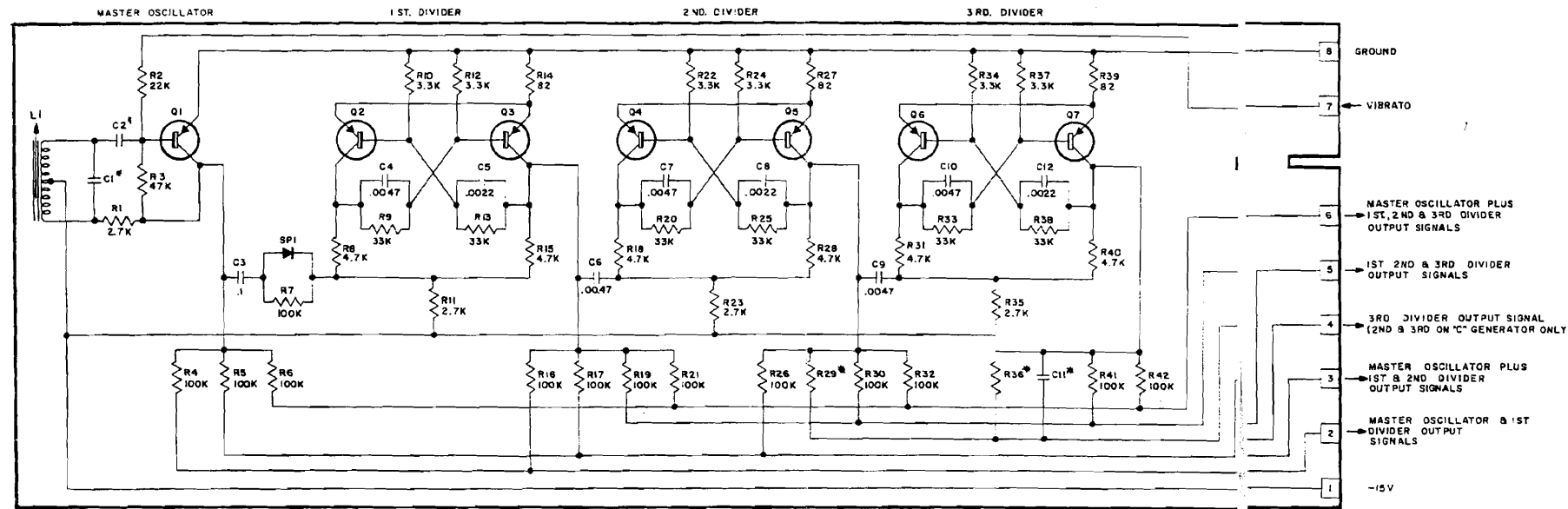
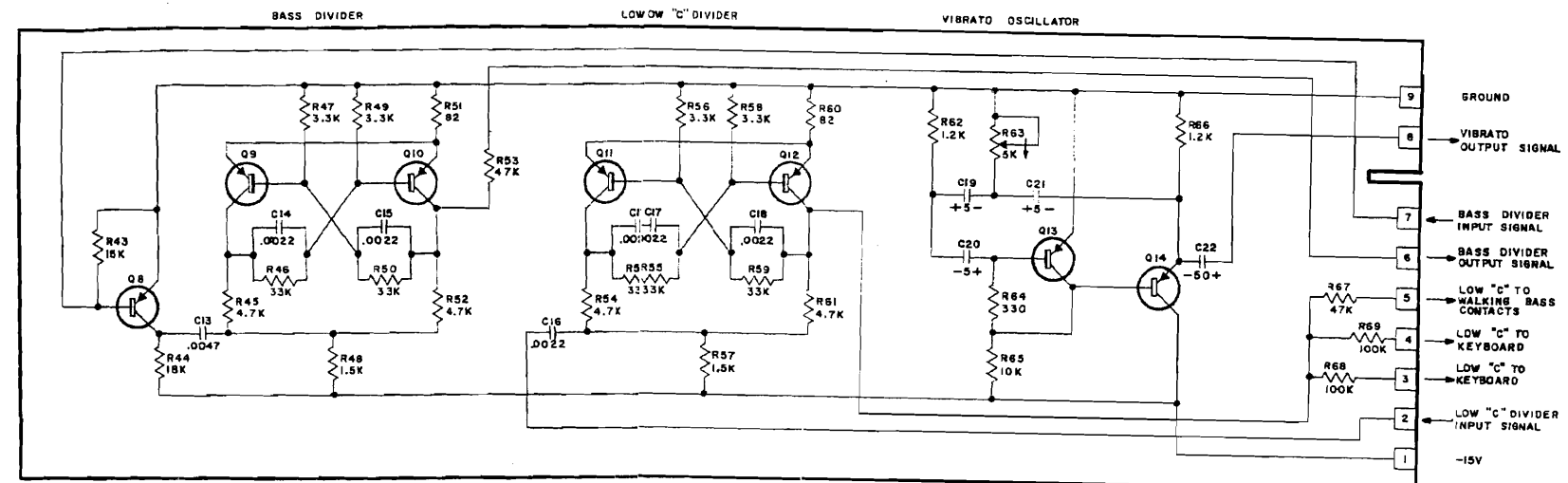


TONE GENERATOR SCHEMATIC

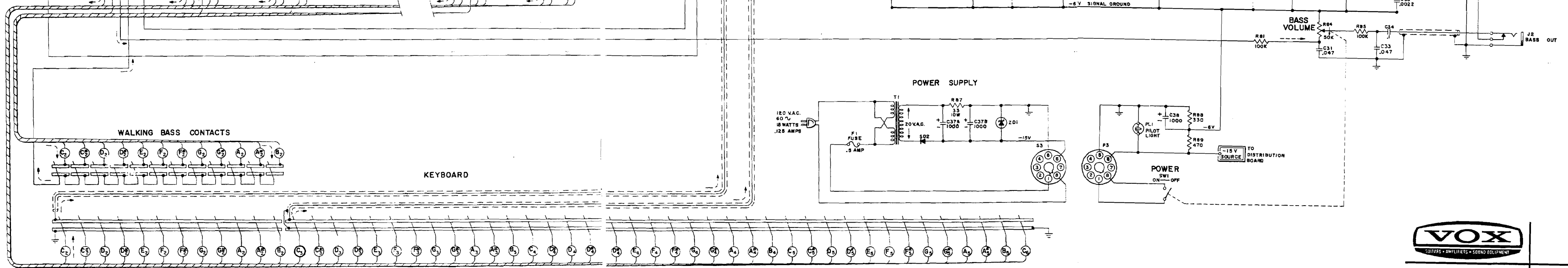
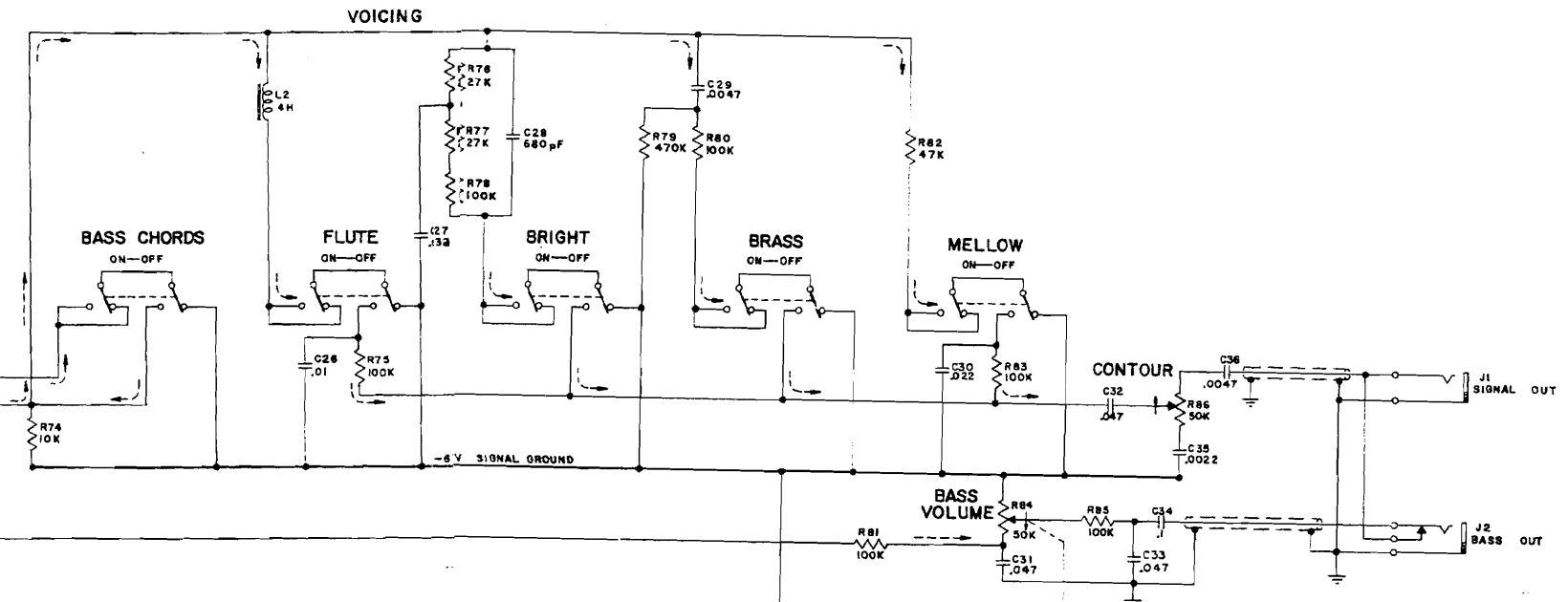
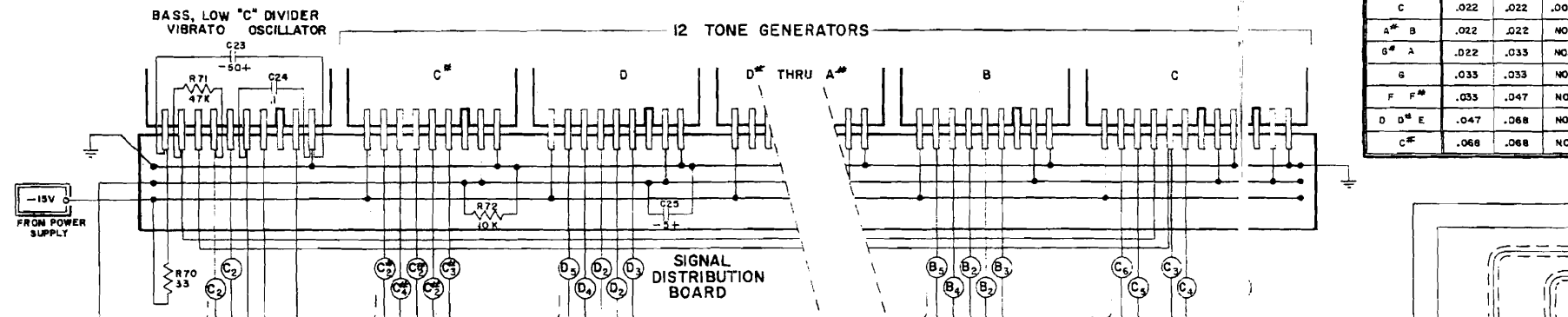


BASS, LOW "C" DIVIDER AND VIBRATO OSCILLATOR



*ALTERNATE VALUES OF CAP. C1, C2, C11, B RES. R29 & R36

| GENERATOR | C1 | C2 | C11 | R29 | R36 |
|--------------------|------|------|-------|------|------|
| C | .022 | .022 | .0047 | 55K | NONE |
| A [#] B | .022 | .022 | NONE | NONE | 47K |
| G [#] A | .022 | .033 | NONE | NONE | 47K |
| G | .033 | .033 | NONE | NONE | 47K |
| F F [#] | .033 | .047 | NONE | NONE | 47K |
| D D [#] E | .047 | .068 | NONE | NONE | 47K |
| C [#] | .068 | .068 | NONE | NONE | 47K |



JAGUAR
V304E2