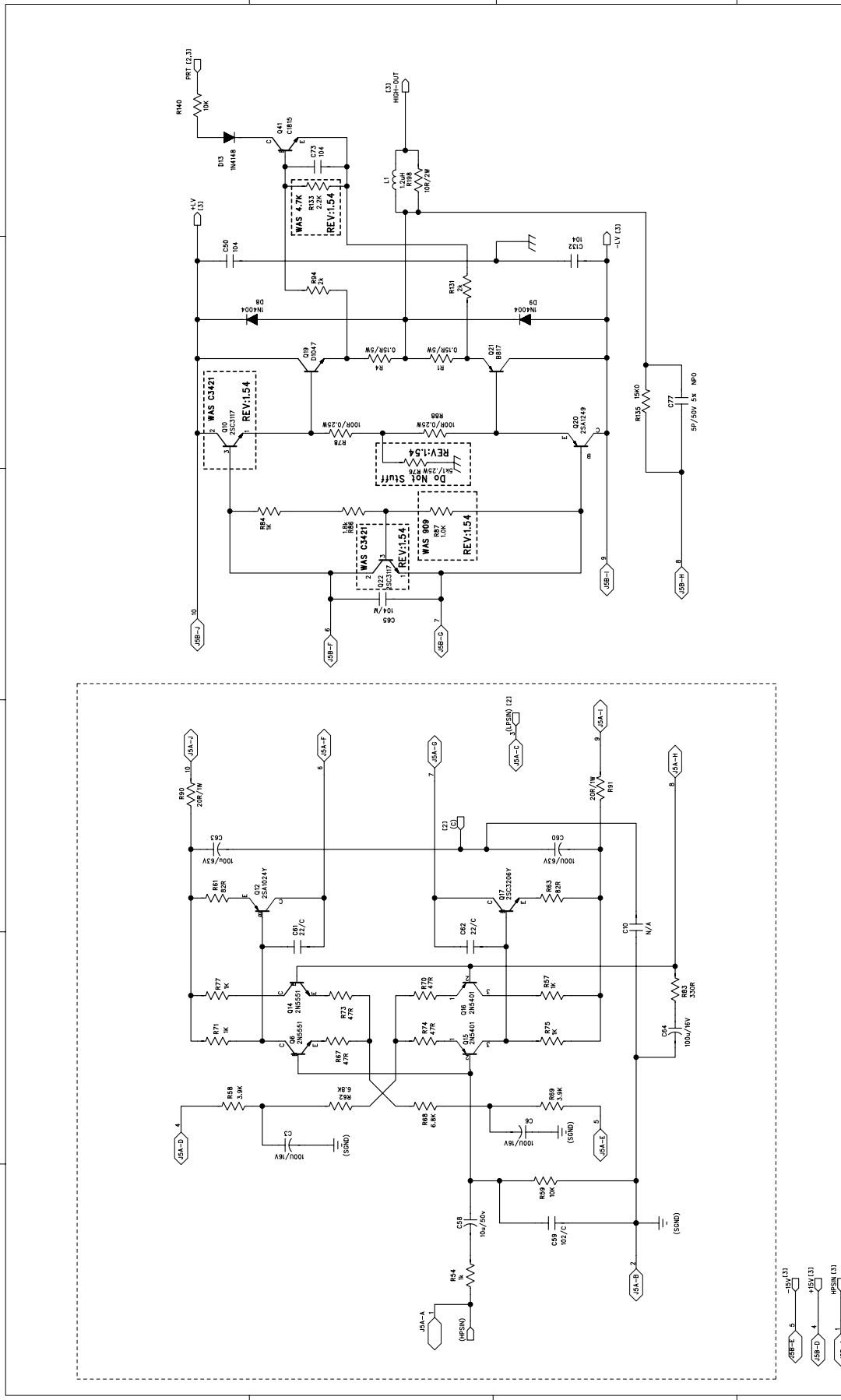
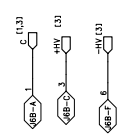
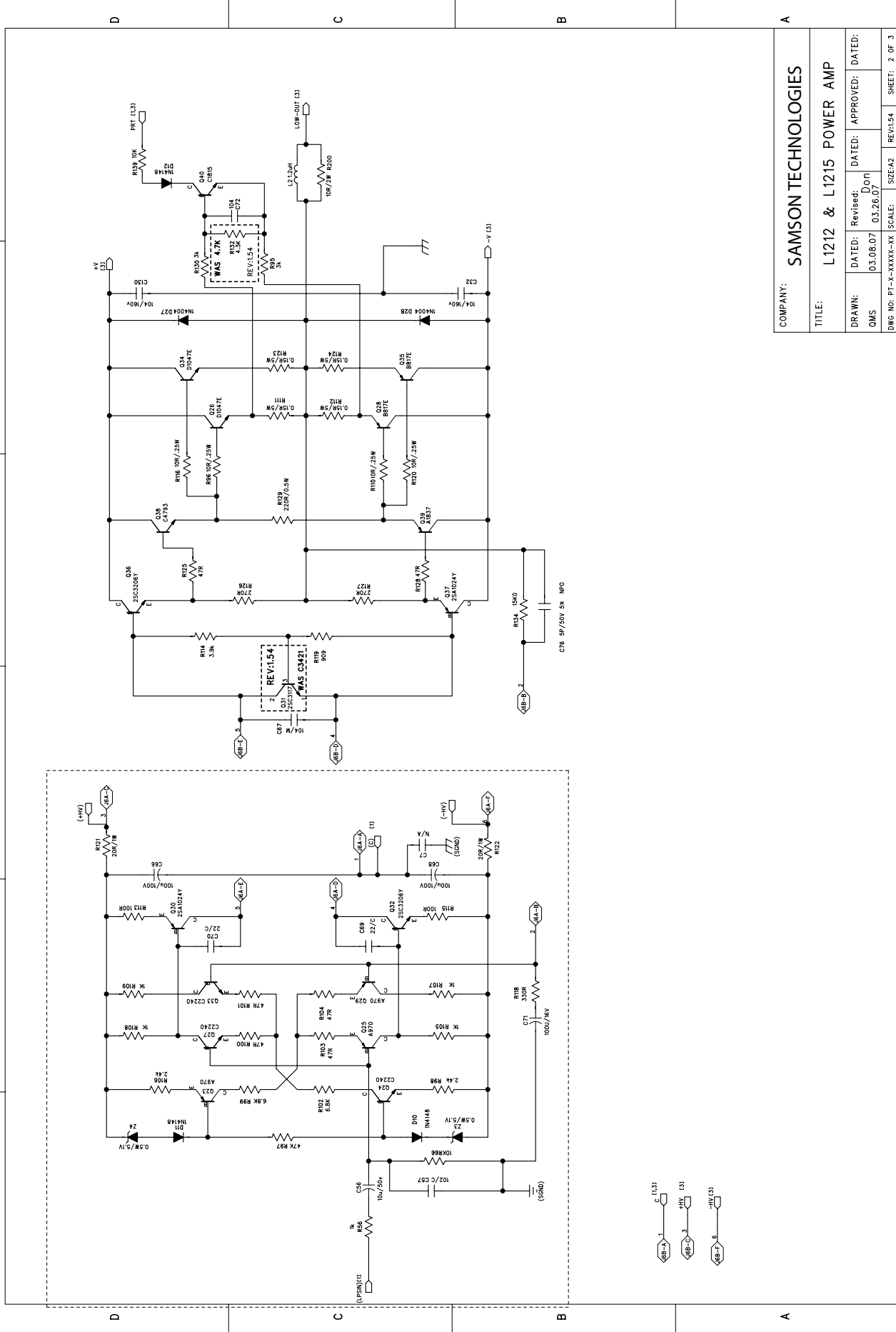


6 5 4 3 2 1



COMPANY: SAMSON TECHNOLOGIES	
TITLE: L1212 & L1215 POWER AMP	
DRAWN: OMS	Revised: Don
DATED: 03.28.07	APPROVED: 03.26.07
DWG NO: PT-K-XXXX-XX	SCALE: SIZEA2
SHEET: 3 OF 3	REV:1.54

1 2 3 4 5 6

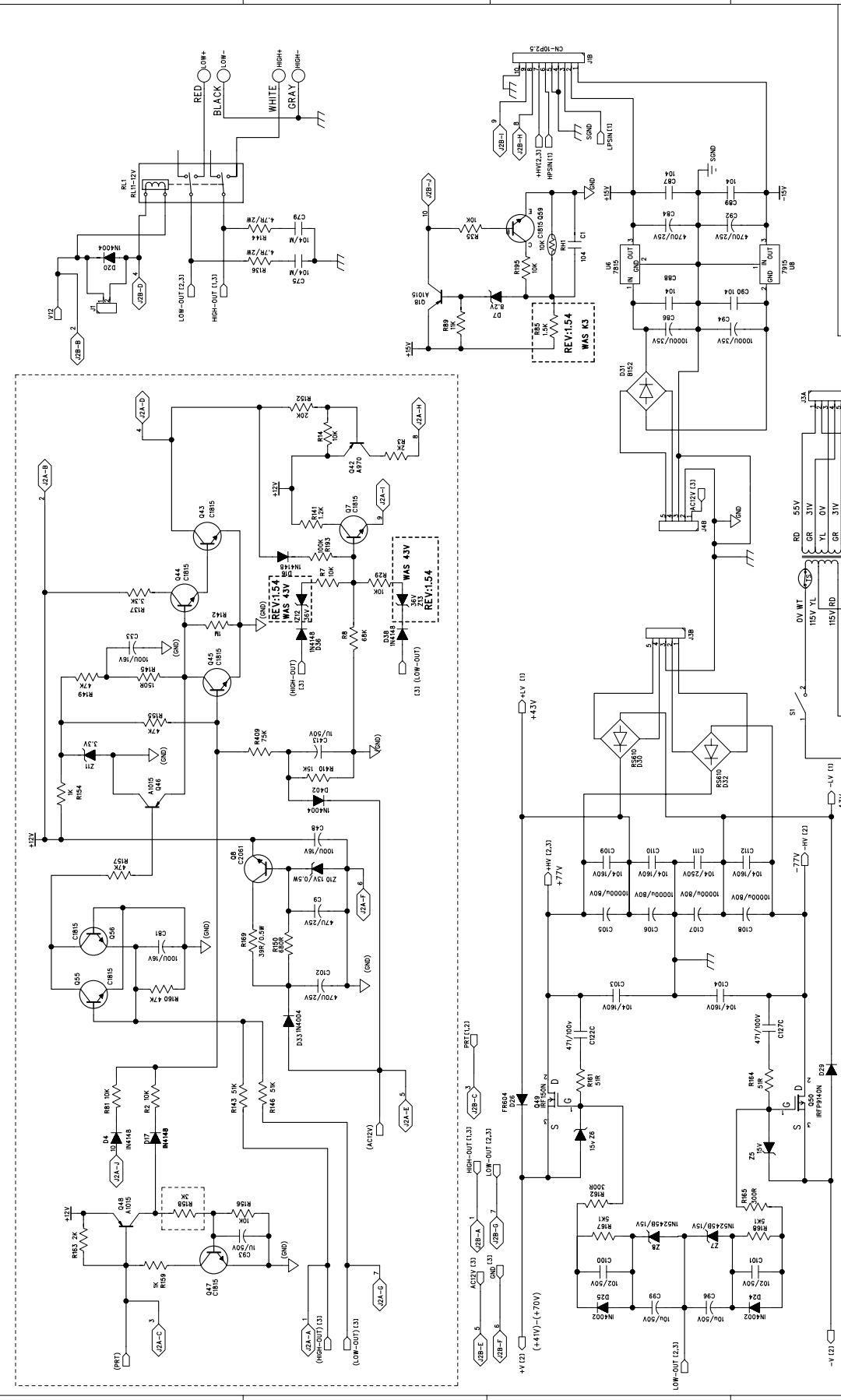


COMPANY: **SAMSON TECHNOLOGIES**

TITLE: **L1212 & L1215 POWER AMP**

DRAWN: OMS	DATE: 03.08.07	REVISED: Don	APPROVED: 03.26.07	DATE: 03.26.07
DWG NO: PT-K-XXXX-XX			SCALE: 1:1	SHEET: 2 OF 3

1 2 3 4 5 6



COMPANY: **SAMSON TECHNOLOGIES**

TITLE: **L1212 & 1215 POWER AMP**

DRAWN: OMS	DATE: 03.28.07	REvised: Don	APPROVED: DATED:
DWG NO: PT-K-XXXX-XX		SCALE: 1:1	SHEET: 1 OF 3