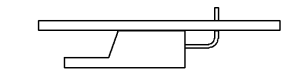
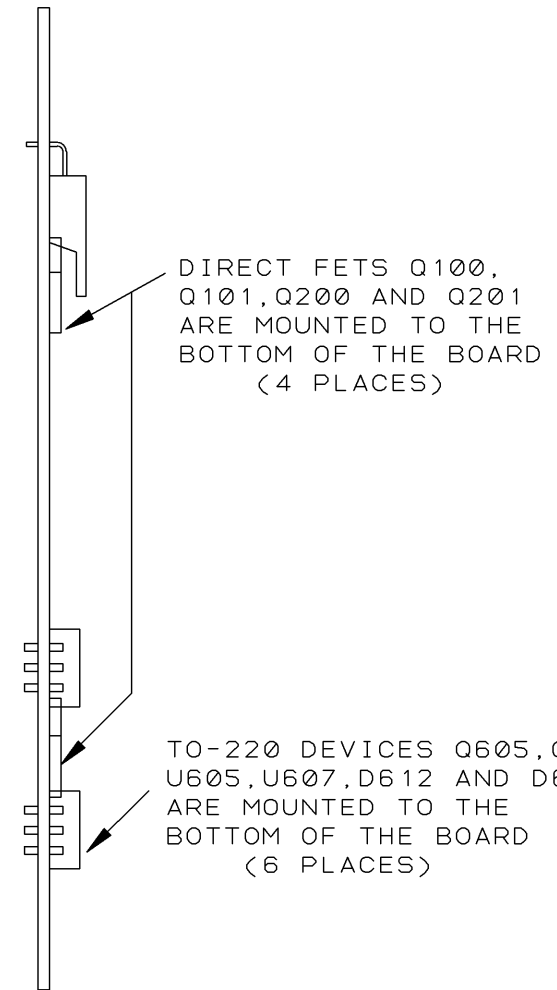
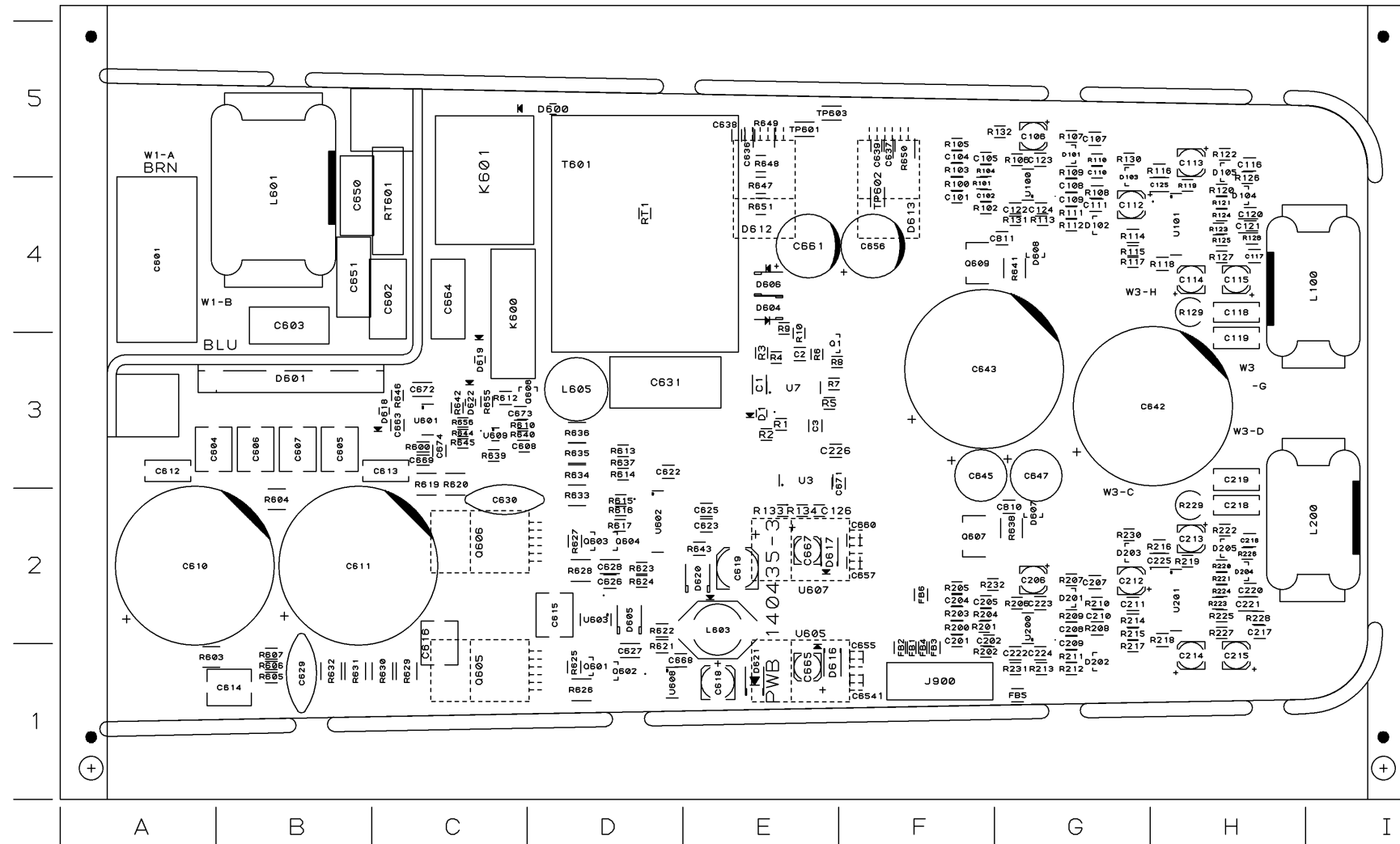


REVISION HISTORY

E. C. N.	ZONE	REV	DESCRIPTION	DATE	APPROVED		
					DWN	CM	PE
		1	SEE 140436-3_1.XLS FOR COMPONENT DATA AND REVISION HISTORY.	4-25-08	TRW		EB


COMPONENT MAP TOP



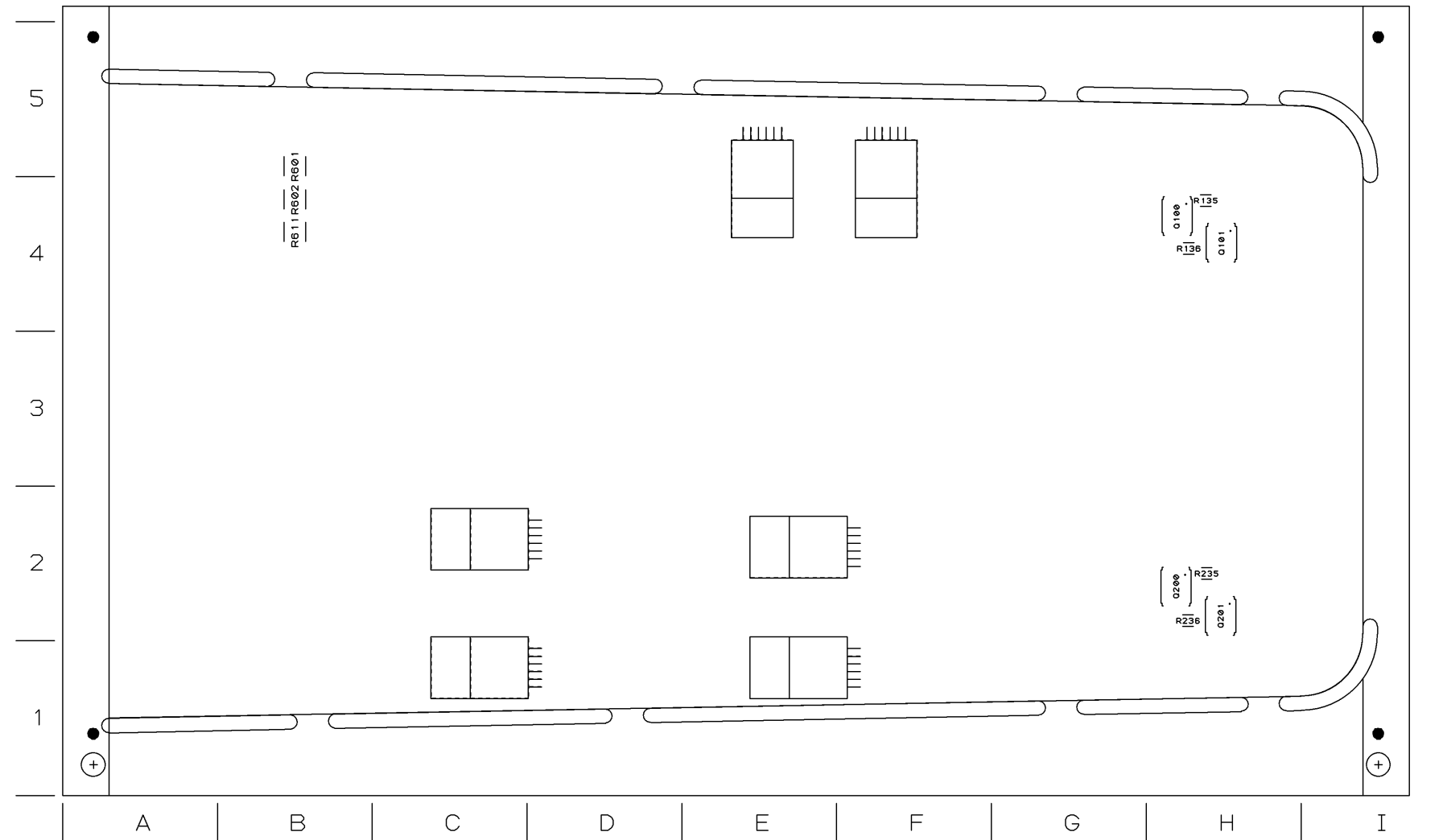
Q605, Q606, U605, U607, D612 AND D613 MOUNTING AS VIEWED FROM EDGE OF THE PWB.

UNCONTROLLED  
UNLESS OTHERWISE MARKED IN RED INK BY CM AS A CONTROLLED COPY, COPIES OF THESE DOCUMENTS INCLUDING ASSOCIATED ELECTRONIC REPRODUCTIONS ARE FOR REFERENCE ONLY.

THESE DRAWINGS AND SPECIFICATIONS ARE THE PROPERTY OF CROWN INTERNATIONAL, INC. AND SHALL NOT BE REPRODUCED, COPIED, OR USED AS THE BASIS FOR THE MANUFACTURE OR SALE OF APPARATUS OR DEVICES WITHOUT PERMISSION.

DISTRIBUTION	DWN	TRW	4-25-08	 <b>Crown H</b> A Harman International Company 1718 WEST MISHAWAKA RD. ELKHART IN, 46517 PHONE 574-294-8000 WWW.CROWNAUDIO.COM
FILENAME	CM	EB	4-25-08	
140436-3_1_01.PCB	PE			TITLE
TOLERANCE UNLESS OTHERWISE SPECIFIED				PWA, EON510
.00 = ±.02"				SIZE DWG NO.
.000 = ±.010"				B 140436-3
DRILLS = ±.003"				REV 1
DO NOT SCALE DRAWING				SCALE NONE
				PROJ NO. EON510
				SHEET 1 OF 4

COMPONENT MAP BOTTOM

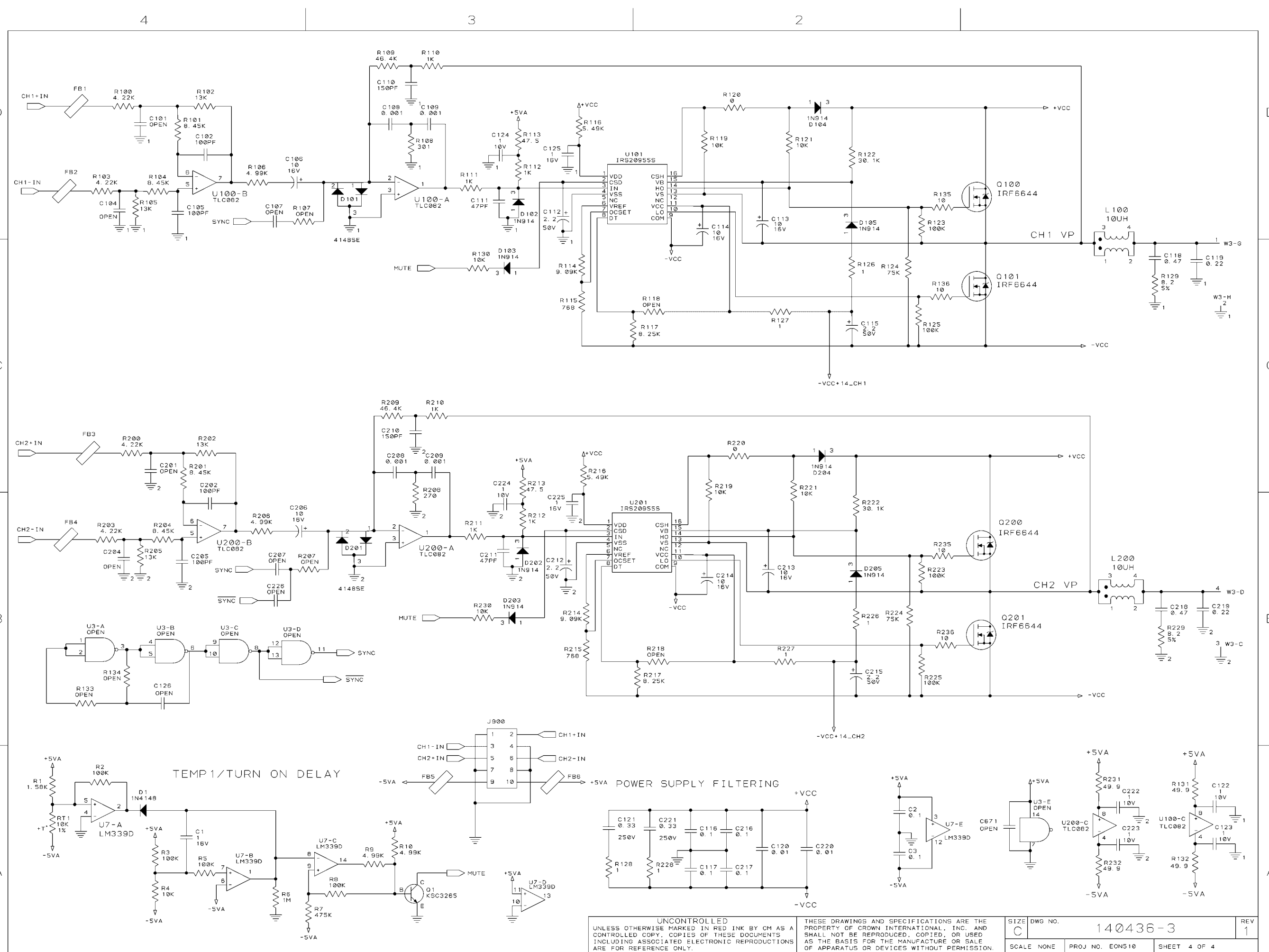


UNCONTROLLED  
 UNLESS OTHERWISE MARKED IN RED INK BY CM AS A  
 CONTROLLED COPY, COPIES OF THESE DOCUMENTS  
 INCLUDING ASSOCIATED ELECTRONIC REPRODUCTIONS  
 ARE FOR REFERENCE ONLY.

THESE DRAWINGS AND SPECIFICATIONS ARE THE  
 PROPERTY OF CROWN INTERNATIONAL, INC. AND  
 SHALL NOT BE REPRODUCED, COPIED, OR USED  
 AS THE BASIS FOR THE MANUFACTURE OR SALE  
 OF APPARATUS OR DEVICES WITHOUT PERMISSION.

SIZE B	DWG NO. 140436-3_1	REV 1
SCALE NONE	PROJ NO. EON510	SHEET 2 OF 4





UNCONTROLLED		THESE DRAWINGS AND SPECIFICATIONS ARE THE PROPERTY OF CROWN INTERNATIONAL, INC. AND SHALL NOT BE REPRODUCED, COPIED, OR USED AS THE BASIS FOR THE MANUFACTURE OR SALE OF APPARATUS OR DEVICES WITHOUT PERMISSION.		SIZE DWG. NO.	140436-3	REV	1
UNLESS OTHERWISE MARKED IN RED INK BY CM AS A CONTROLLED COPY, COPIES OF THESE DOCUMENTS INCLUDING ASSOCIATED ELECTRONIC REPRODUCTIONS ARE FOR REFERENCE ONLY.				SCALE NONE	PROJ. NO. EON510	SHEET 4 OF 4	