

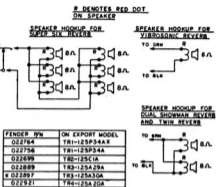
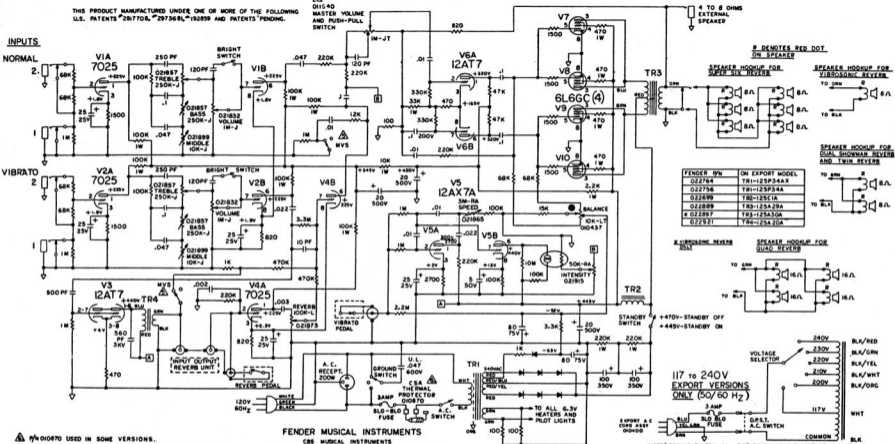
THIS PRODUCT MANUFACTURED UNDER ONE OR MORE OF THE FOLLOWING U.S. PATENTS 2877708, 2973681, 192859 AND PATENTS PENDING.

⚠️ 015-40  
MASTER VOLUME AND PUSH-PULL SWITCH

**INPUTS**

**NORMAL**

**VIBRATO**



- ⚠️ 010470 USED IN SOME VERSIONS.
- MASTER VOLUME PUSH-PULL SWITCH DESIGNATED MVS SHOWN IN 'OUT' POSITION, PUSH IN FOR PURE SOUND. USED IN SOME VERSIONS.
- FENDER #N FOR CONTROLS INDICATED.
- ALL CAPACITORS AT LEAST 600V, W.V.D.C.
- ALL RESISTORS 1/2 WATT ± 10%.
- VOLTAGES READ TO GROUND WITH V.T.V.M. WITH VIBRATO GROUNDING (EXCEPT V5) - NO INPUT SIGNAL.

FENDER MUSICAL INSTRUMENTS  
CBS MUSICAL INSTRUMENTS  
A DIVISION OF COLUMBIA BROADCASTING SYSTEMS INC.  
FULLERTON, CALIFORNIA  
U.S.A.

VIBROSONIC REV. EXP.	125P34AX	11/17/71	CBS	MUSICAL INSTRUMENTS FULLERTON, CALIFORNIA
VIBROSONIC REVERB 1	125P34A	11/17/71		
SUPER SIX REVERB EXP.	125C1A	11/17/71	D	— SCHEMATIC — 100 WATTS RMS AMP W/REVERB AND VIBRATO
QUAD REVERB (EXPORT)	125A-20A	11/17/71		
DUAL SHOWMAN REV. EXP.	125A-30A	11/17/71	F	010182
TWIN REVERB EXPORT	125A-20A	11/17/71		
SUPER SIX REVERB	125A-20A	11/17/71	REV. NO. USED ON	
QUAD REVERB	125A-20A	11/17/71	SCALE	
DUAL SHOWMAN REVERB	125A-30A	11/17/71	FORM SEVERAL	
TWIN REVERB	125A-20A	11/17/71	SHEET 1 OF 1	

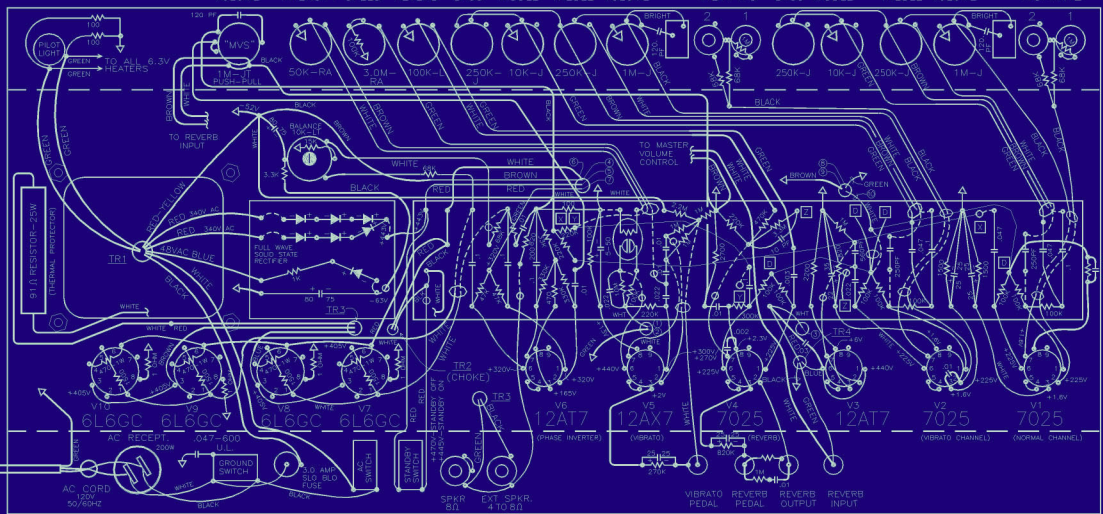
# FENDER "TWIN REVERB-AMP 100W RMS" LAYOUT MODEL WITH REVERB AND VIBRATO NOTICE

VOLTAGES READ TO GROUND WITH V.T.V.M. WITH  
VIBRATO GROUNDED (EXCEPT V5) - NO INPUT SIGNAL

MASTER VOLUME INTENSITY SPEED REVERB BASS MIDDLE TREBLE VOLUME VIBRATO BASS MIDDLE TREBLE VOLUME NORMAL

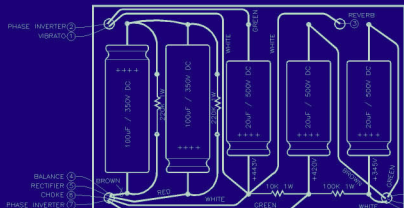
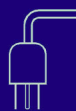


TR1 POWER TRANSFORMER  
TR2 CHOKE  
TR3 OUTPUT TRANSFORMER  
TR4 REVERB TRANSFORMER



NOTE: ALL RESISTORS 1/2 WATT 10% TOLERANCE, IF NOT SPECIFIED.

NOTES: 1. ALL CAPACITORS AT LEAST 400 VOLT RATING, IF NOT SPECIFIED.  
2. MASTER VOLUME PUSH-PULL SWITCH INDICATED AS "MVS".  
PUSH IN FOR PURE SOUND.



FILTER CAPACITOR LAYOUT

### 12AT7/12AX7 SCHEMATIC



① TO GROUND  
② TO GROUND  
③ VIBRATO CONTROLS

### 6L6GC SCHEMATIC



① TO GROUND  
② TO GROUND  
③ VIBRATO CONTROLS

## FENDER MUSICAL INSTRUMENTS

CBS MUSICAL INSTRUMENTS  
A DIVISION OF COLUMBIA BROADCASTING SYSTEMS INC.  
FULLERTON, CALIFORNIA  
U.S.A.

THIS PRODUCT MANUFACTURED UNDER ONE OR MORE  
OF THE FOLLOWING U.S. PATENTS #281708, #297281,  
#192859 AND PATENTS PENDING.

MASTER VOLUME CONTROL WAS ADDED IN NOVEMBER  
1972 AS PER A  
THIS DRAWING BASED ON AS-BUILT OF 1974 EXAMPLE  
ALL VALUES GIVEN ARE TAKEN FROM 100W MASTER  
VOLUME SCHEMATIC

DWN.	P.T.	CHK.	Fender®	MUSICAL INSTRUMENTS	REV.
				SANTA ANA, CALIFORNIA	
CHK.		CHK.	DRG. TITLE		
APPD.		APP.	SCHEMATIC WIRING		
APPD.		APP.	DIAGRAM - TWIN REVERB		
APPD.		APP.	TUBE TYPE		
APPROVAL—	REL. NO.	SIZE	DRG. NO.	REV.	
	D		045377	E	
APPROVAL—	SCALE	DATE	DRG. TITLE	SHEET	2 OF 2
	1/8"	8-28-89	100W TWIN REVERB AMP		

E	INC. ECO 2750 & ECO2053	1-30-79
D	INCORPORATED ECO 1687	10-16-80
A	INCORPORATED ECO 1068	3-29-81