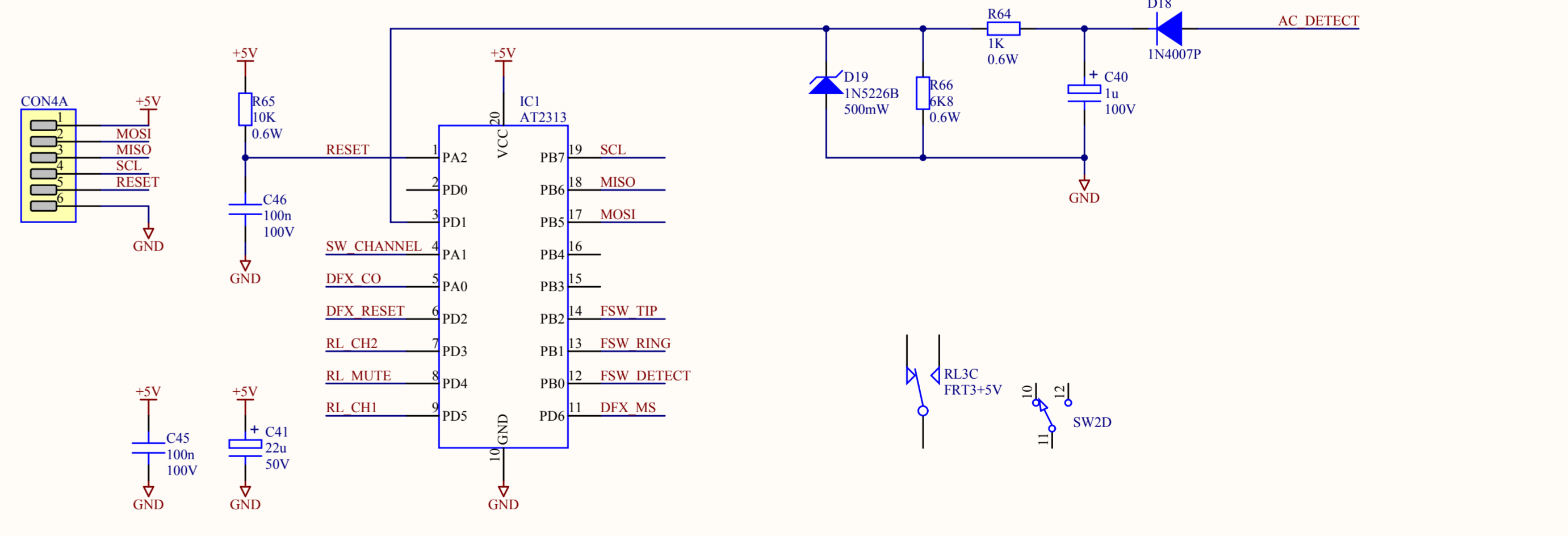
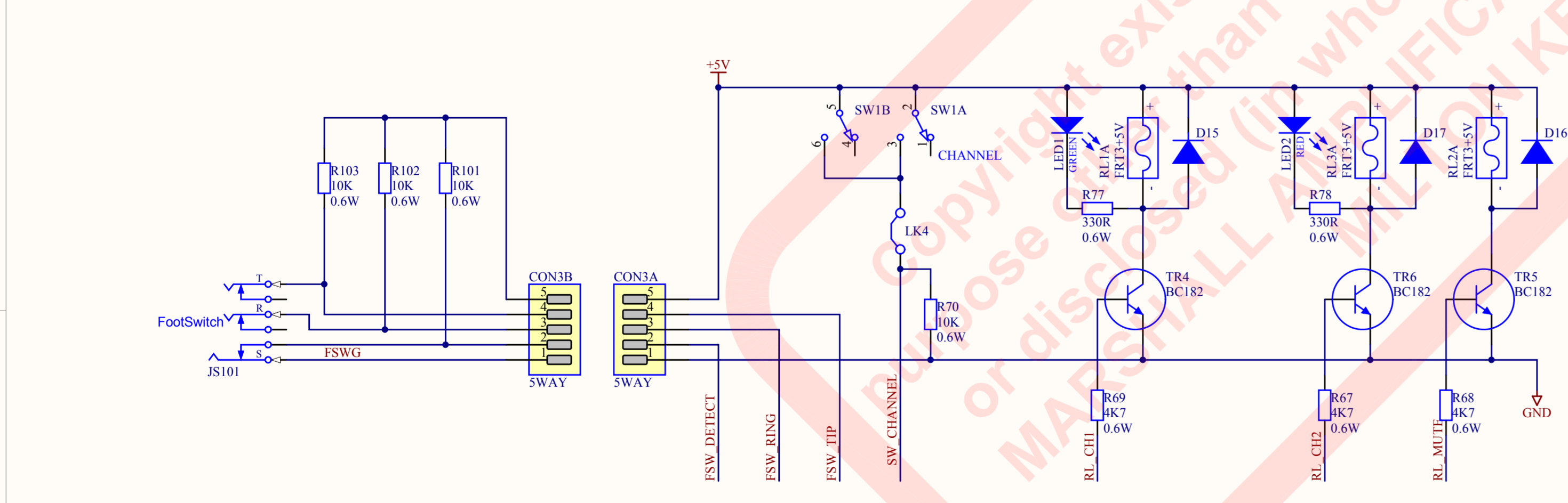
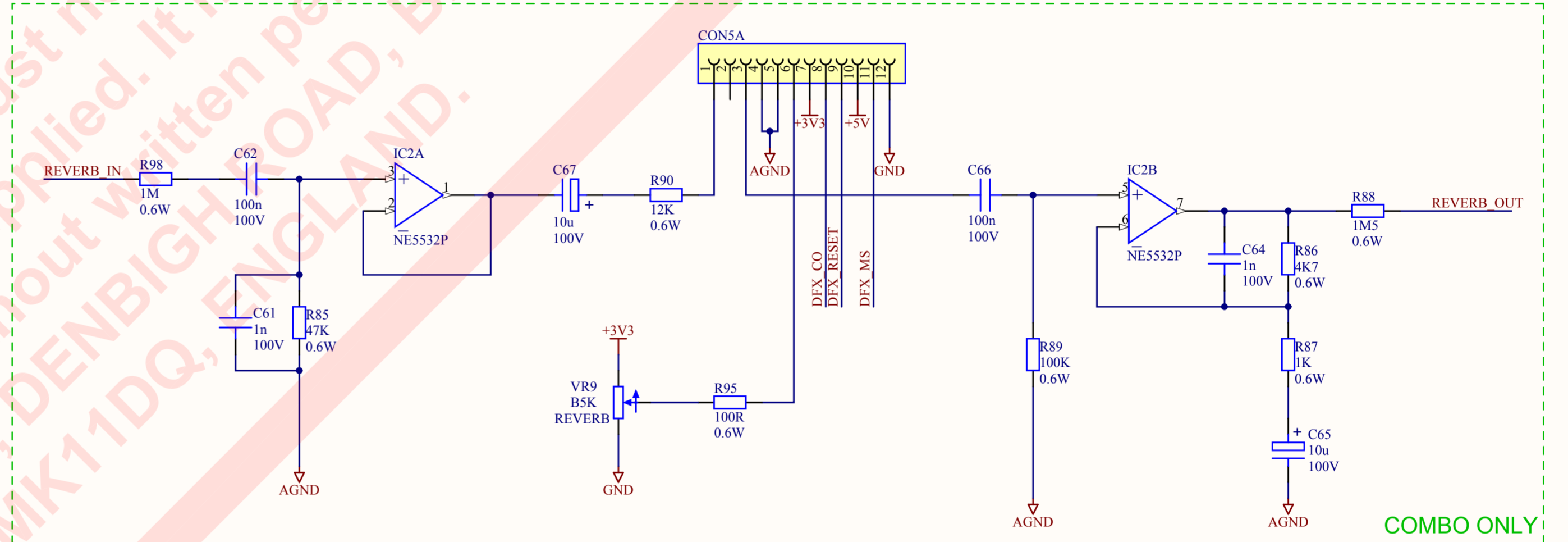
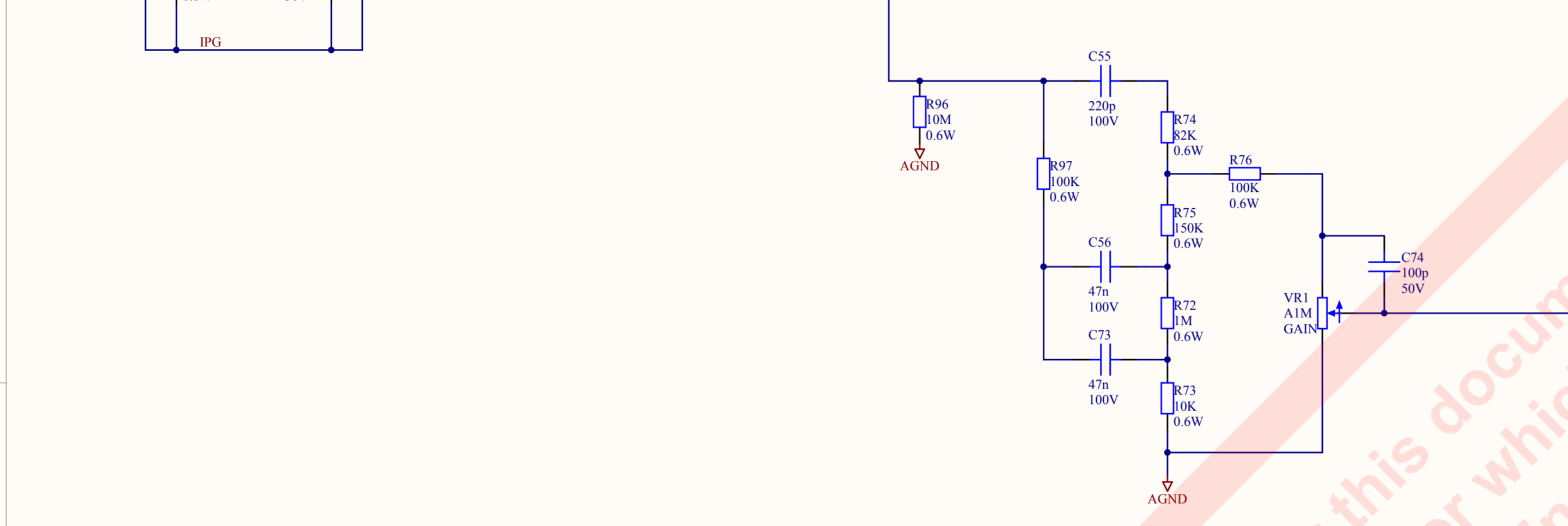
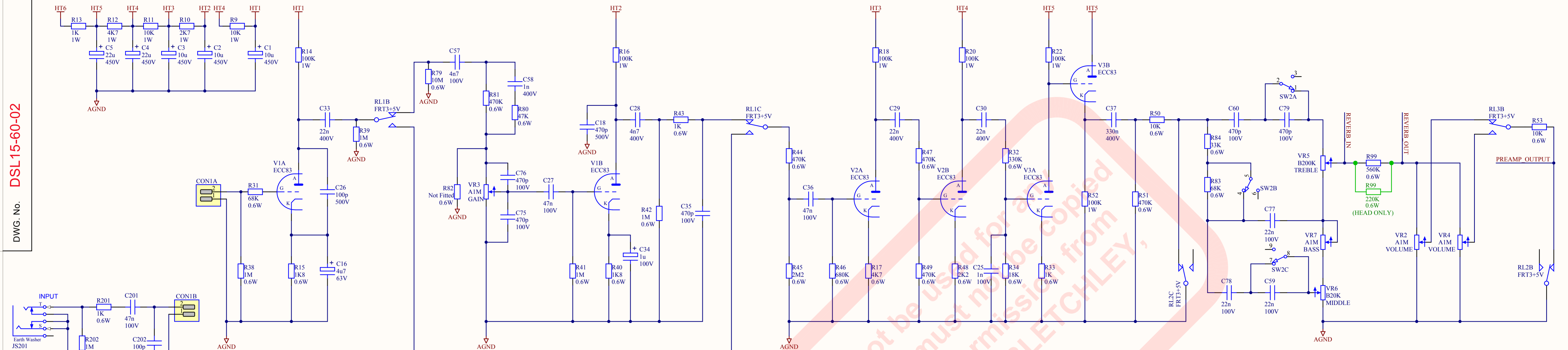
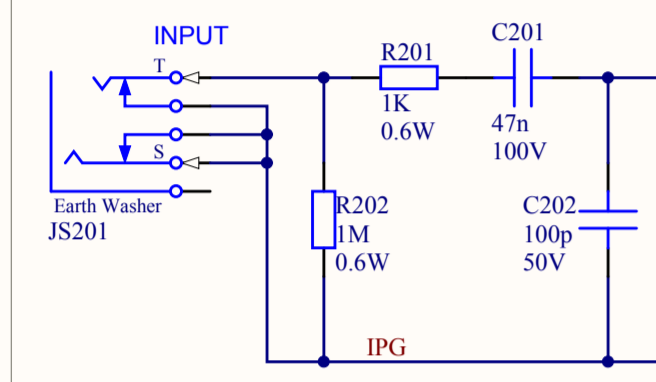


DWG. No. DSL15-60-02



4	NO NUMBER GIVEN	16MAY12
3	3387	12APR12
2	3379	15MAR12
1	PRODUCTION	15DEC11
ISS	ECO NUMBER	DATE

MATERIAL		DIMENSIONS IN mm	
MATERIAL THICKNESS		TOLERANCE (UNLESS OTHERWISE STATED)	
DRAWN J.L.	DATE 17MAR11	HOLE DIA = +/-	
CHECKED	DATE	DIMENSIONAL = +/-	
APPROVED	DATE	MODEL DSL15	

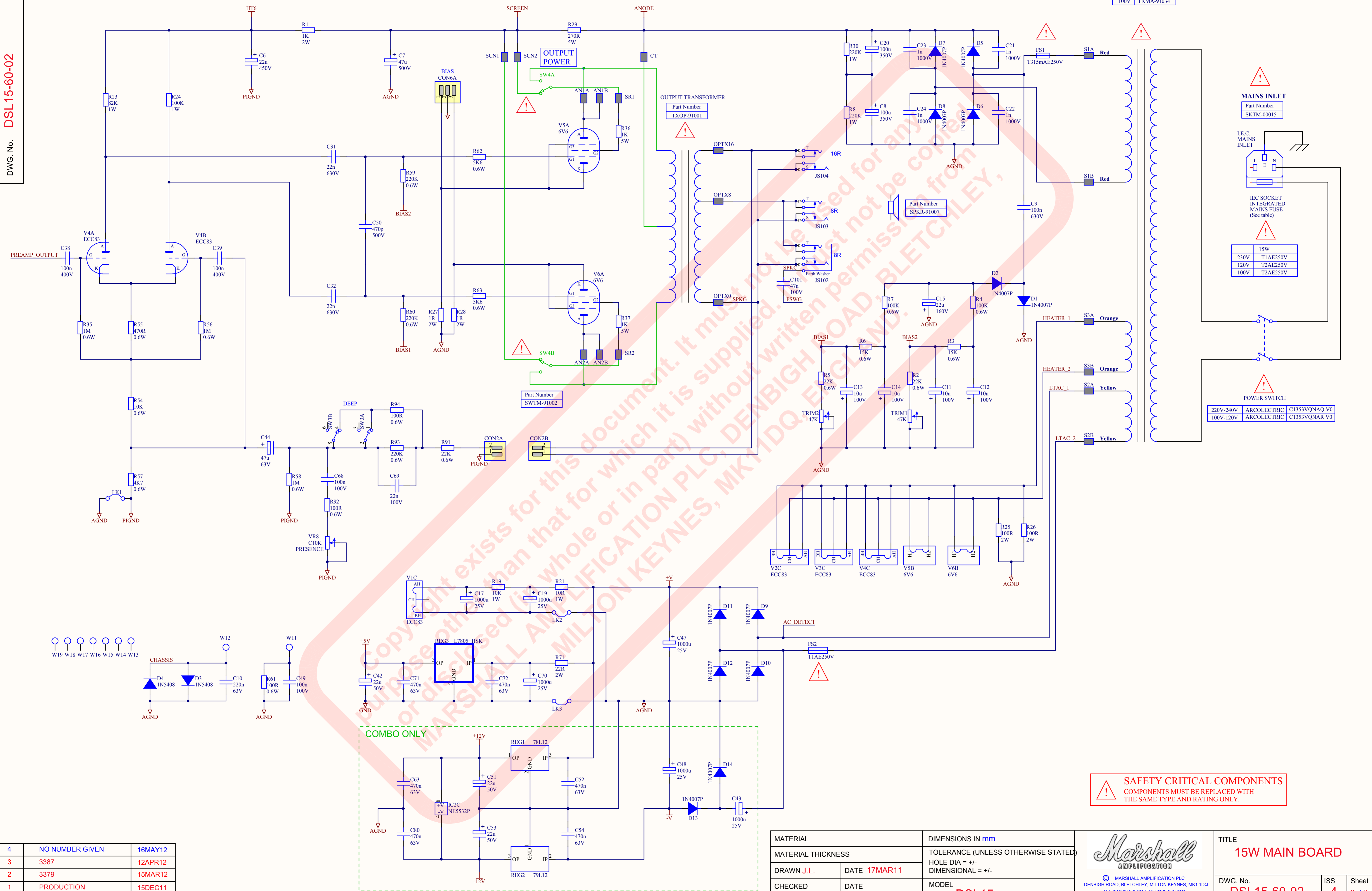


TITLE 15W MAIN BOARD		
DWG. No. DSL15-60-02	ISS 4	Sheet 1 of 2

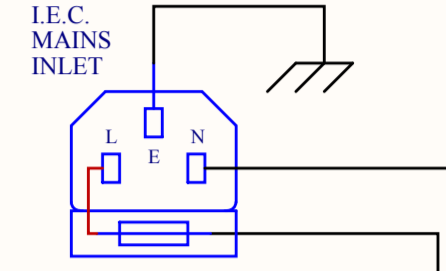
Date: 18/05/2012

MAINS TRANSFORMERS

15W
230V TXMA-91032
120V TXMA-91033
100V TXMA-91034



Part Number SKTM-00015



IEC SOCKET INTEGRATED MAINS FUSE (See table)

15W
230V T1AE250V
120V T2AE250V
100V T2AE250V

POWER SWITCH

220V-240V	ARCOLECTRIC	C1353VQNAQ V0
100V-120V	ARCOLECTRIC	C1353VQNAQ V0

SAFETY CRITICAL COMPONENTS
COMPONENTS MUST BE REPLACED WITH THE SAME TYPE AND RATING ONLY.

4	NO NUMBER GIVEN	16MAY12
3	3387	12APR12
2	3379	15MAR12
1	PRODUCTION	15DEC11
ISS	ECO NUMBER	DATE

MATERIAL		DIMENSIONS IN mm	
MATERIAL THICKNESS		TOLERANCE (UNLESS OTHERWISE STATED)	
DRAWN J.L.		DATE 17MAR11	
CHECKED		DATE	
APPROVED		DATE	
		MODEL DSL15	



TITLE 15W MAIN BOARD		
DWG. No. DSL15-60-02	ISS 4	Sheet 2 of 2
Date: 18/05/2012		