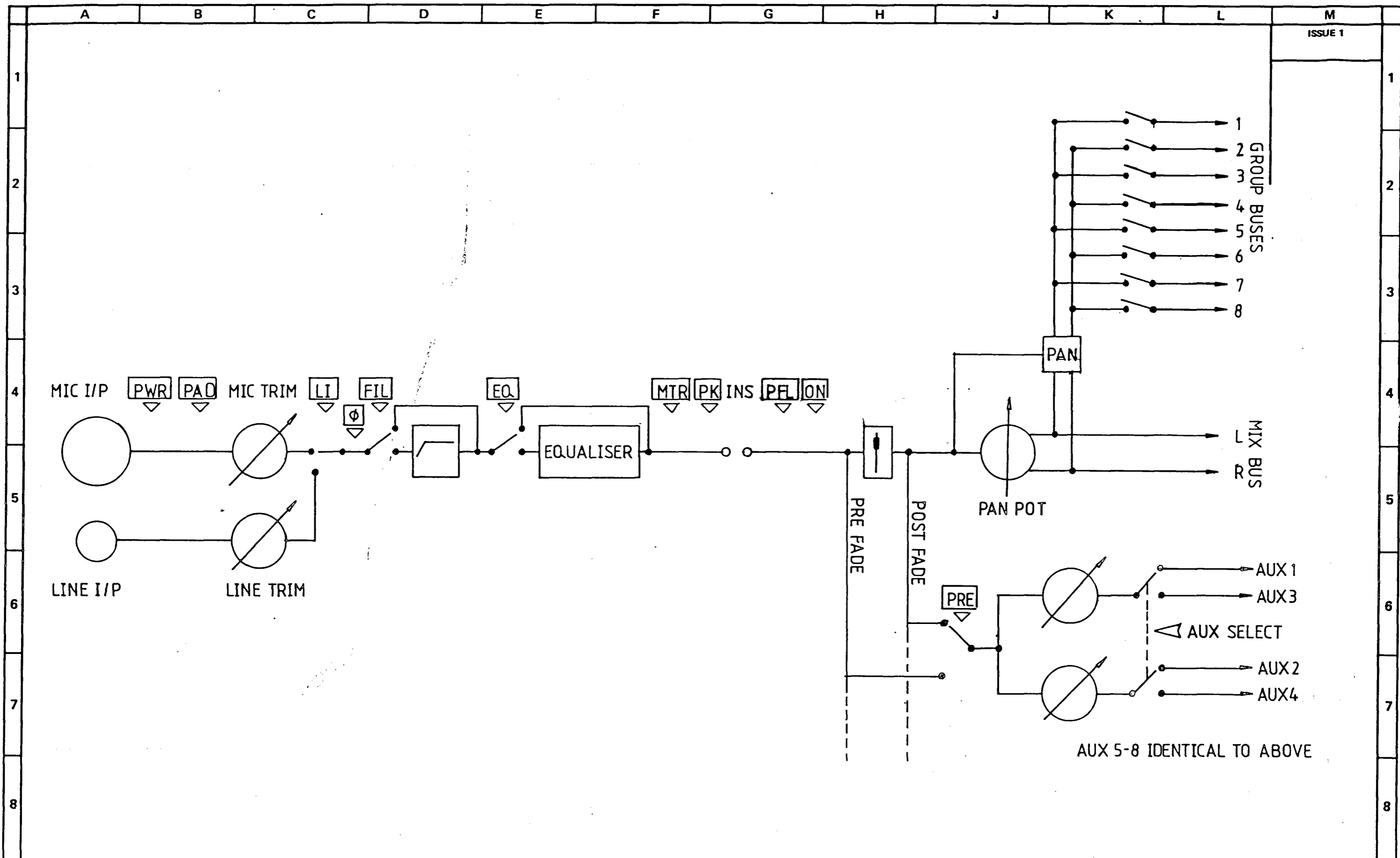


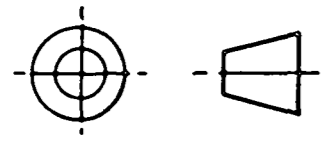
8.00 Schematics for Soundcraft Series 800B - Iss 1

ED2102	8011 STANDARD INPUT MODULE CCT DRG.
ED2103	8010 MONITOR INPUT MODULE CCT DRG.
ED2250	8019 MONITOR INPUT MODULE CCT DRG.
ED2209	8021 THEATRE INPUT MODULE CCT DRG.
ED2146	STEREO INPUT MODULE CCT DRG.
ED2108	8017 PA INPUT MODULE CCT DRG.
ED2107	8013 EFFECTS RETURN O/P MODULE CCT DRG.
ED2106	8016 MATRIX O/P MODULE CCT DRG.
ED2105	8014 AUX MASTER MODULE CCT DRG.
ED2104	8015 MASTER MODULE CCT DRG.
ED2093	STANDARD PSU CCT DRG.
ED2165	LARGE PSU CCT DRG.
ED2208	MEDIUM PSU CCT DRG.
MI2249	8010 MONITOR I/P MODULE BLOCK DRG.
MI2250	8011 STANDARD I/P MODULE LOCK DRG.
MI2255	8013 EFFECTS RETURN OUTPUT BLOCK DIAGRAM.
MI2252	8016 MONITOR OUTPUT BLOCK DIAGRAM.
ED2231	8021 THEATRE INPUT MODULE SIGNAL FLOW DIAGRAM.
ED2243	STEREO INPUT MODULE SIGNAL FLOW DIAGRAM.
MI2253	8014 AUX MASTER BLOCK DIAGRAM
MI2254	8015 MASTER MODULE BLOCK DIAGRAM.



ISSUE 1

THIRD ANGLE PROJECTION



TOLERANCE

All imperial dimensions  $\pm 0.010$   
 All metric dimensions  $\pm 0.25\text{mm}$   
 All angles  $\pm 0.50^\circ$   
 Unless otherwise stated

HOLE INDEX

MATL

FINISH

SCALE

DRN  
AB

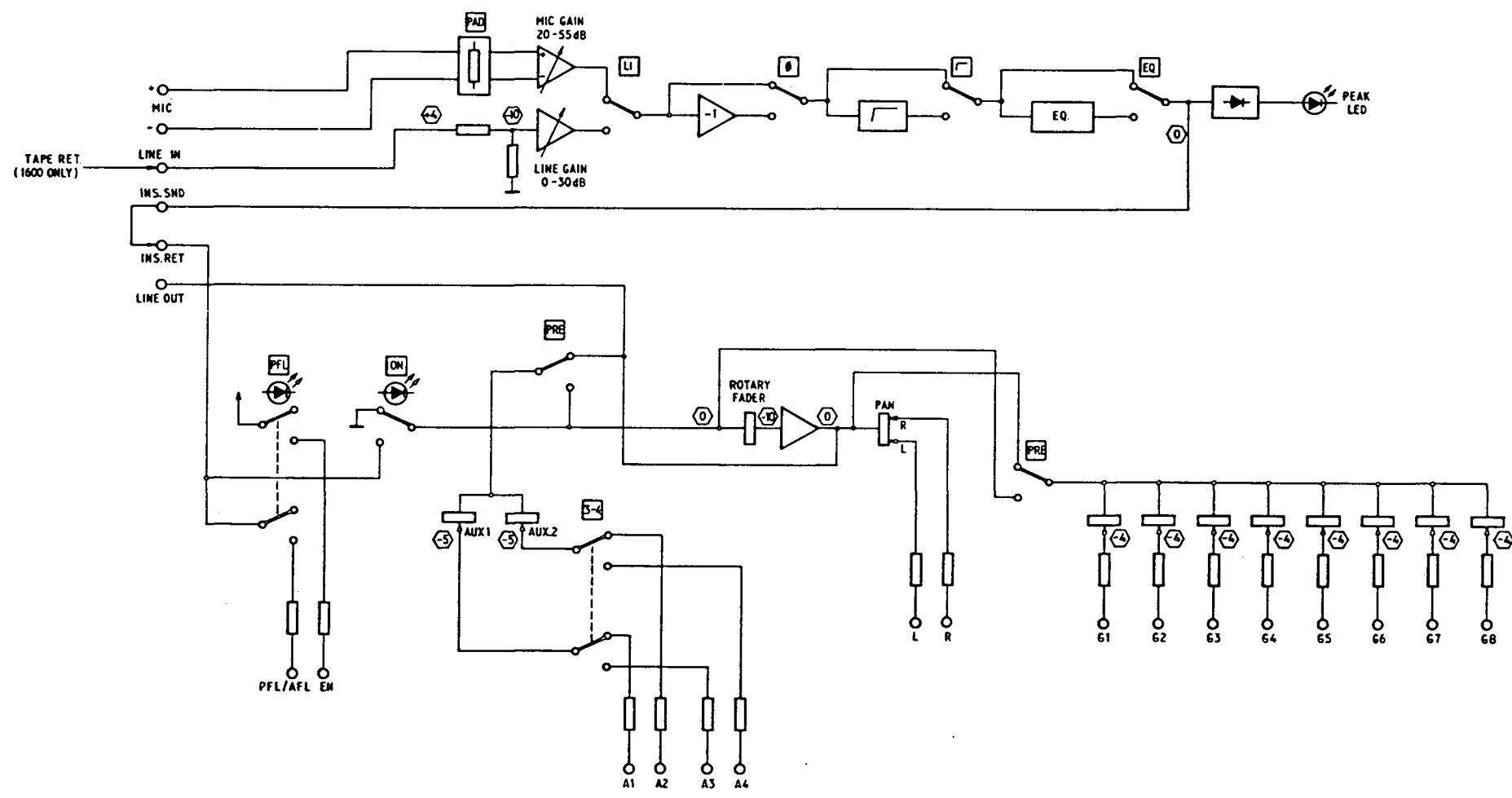
TRCD

CHKD

SOUNDCRAFT ELECTRONICS LTD  
 5-8 GREAT SUTTON STREET  
 LONDON EC1V 0BX.  
 TELEPHONE. 01-251-3831/2/3  
 TELEGRAMS. SOUNDCRAFT LDM EC1  
 TELEX. UK. No. 21198. USA. No. 224408

TITLE 800B  
 THEATRE INPUT MDL  
 SIGNAL FLOW DIAG.

DRG. No. 602231

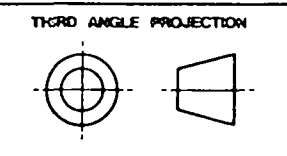


Soundcraft Electronics Limited  
own the copyright of this drawing  
which is not to be copied, reproduced  
or disclosed, in part or whole, to a  
third party without written permission.

NOTES.

HOLE INDEX.

TOLERANCE.  
All imperial dimensions  $\pm 0.010$   
All metric dimensions  $\pm 0.25mm$   
All angles  $\pm 0.50^\circ$   
Unless otherwise stated.

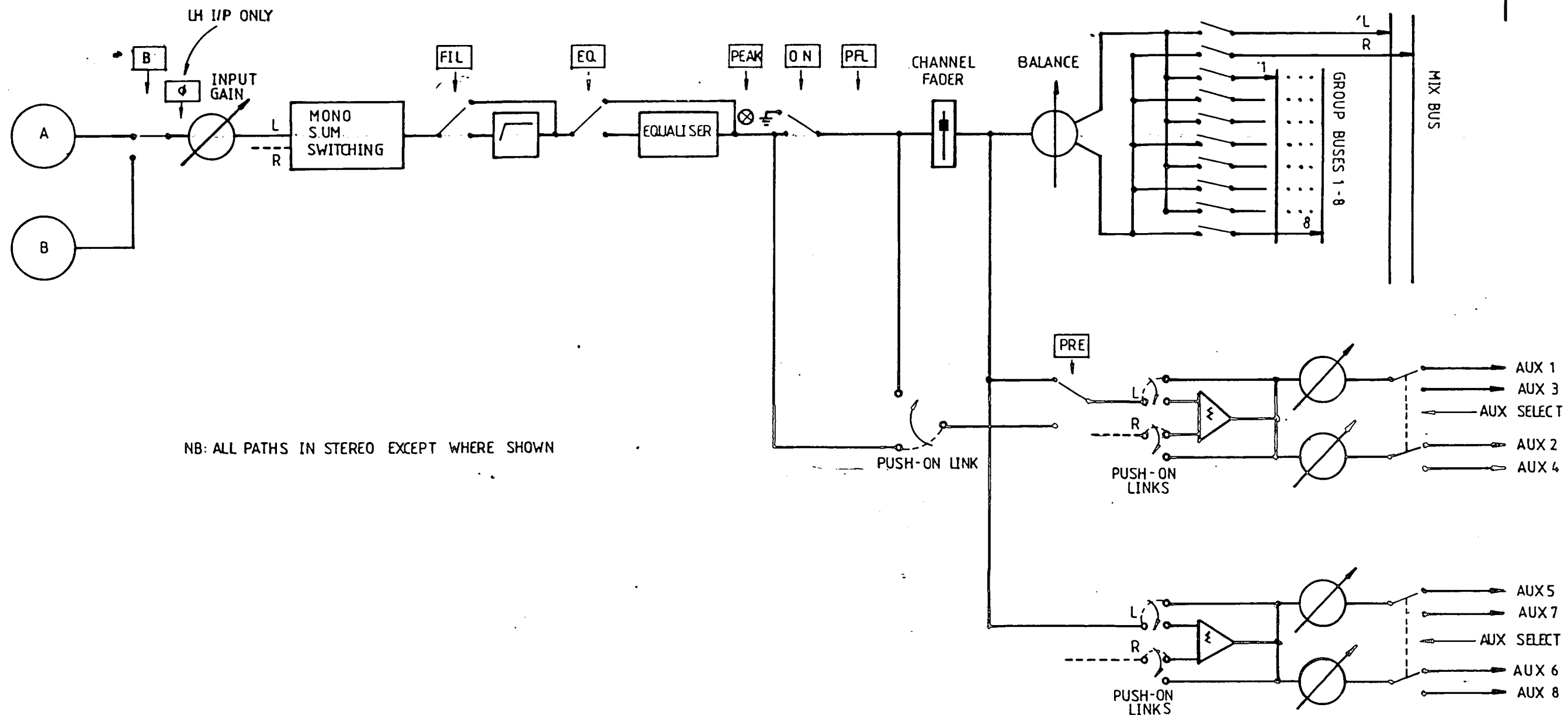


MATL. —  
FINISH. —  
SCALE. —

DRG. Mark  
TRCD.  
CHKD. *HL*

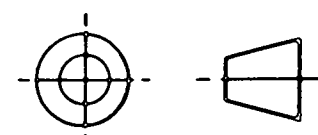
SOUNDCRAFT ELECTRONICS LTD.  
5-8 GREAT SUTTON STREET  
LONDON, EC4V 0BX.  
TELEPHONE. 01-251-3831/2/3  
TELEGRAMS. SOUNDCRAFT LDN. EC1  
TELEX. UK No. 21198. USA No. 01-2203

TITLE. 8010  
MONITOR I/P MODL  
BLOCK DIAGRAM  
DRG No. M12249



NB: ALL PATHS IN STEREO EXCEPT WHERE SHOWN

THIRD ANGLE PROJECTION



TOLERANCE

All imperial dimensions  $\pm 0.010$   
All metric dimensions  $\pm 0.25\text{mm}$   
All angles  $\pm 0.50^\circ$   
Unless otherwise stated

HOLE INDEX

MATL

FINISH

SCALE

DRN AB

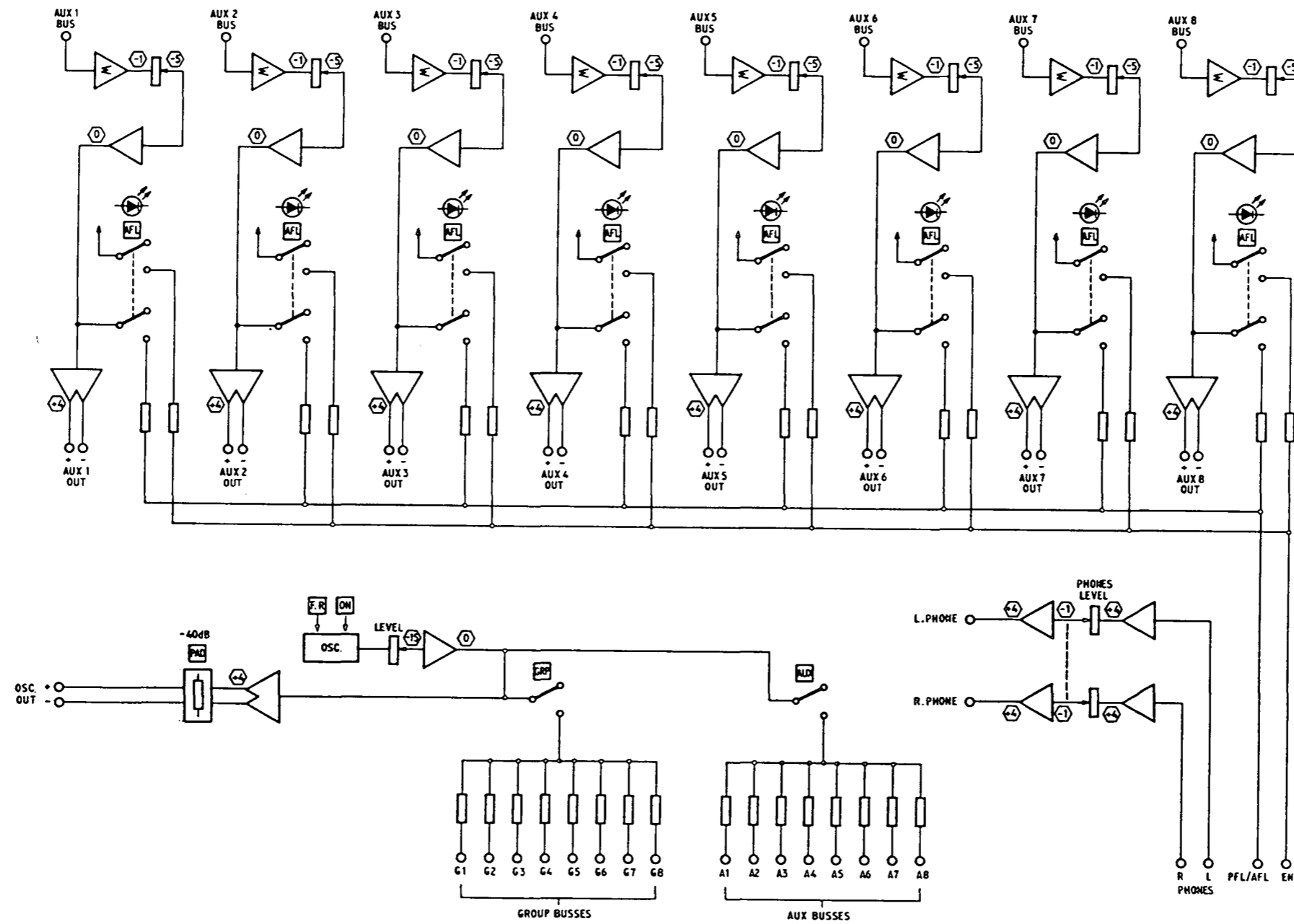
TRCD

CHKD

SOUNDCRAFT ELECTRONICS LTD  
5-8 GREAT SUTTON STREET  
LONDON EC1V 0BX.  
TELEPHONE. 01-251-3631/2/3  
TELEGRAMS. SOUNDCRAFT LDN EC1  
TELEX. UK. No. 21198. USA. No. 224408

TITLE S8008 STEREO I/P MDL  
SIGNAL FLOW DIAGRAM

DRG. No. ED 2243



Soundcraft Electronics Limited  
own the copyright of this drawing  
which is not to be copied, reproduced  
or disclosed, in part or whole, to a  
third party without written permission.

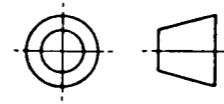
NOTES.

HOLE INDEX.

TOLERANCE.

All imperial dimensions  $\pm 0.010$   
All metric dimensions  $\pm 0.25mm$   
All angles  $\pm 0.50^\circ$   
Unless otherwise stated.

THIRD ANGLE PROJECTION



MATL.

FINISH.

SCALE.

DRG.  
Mark

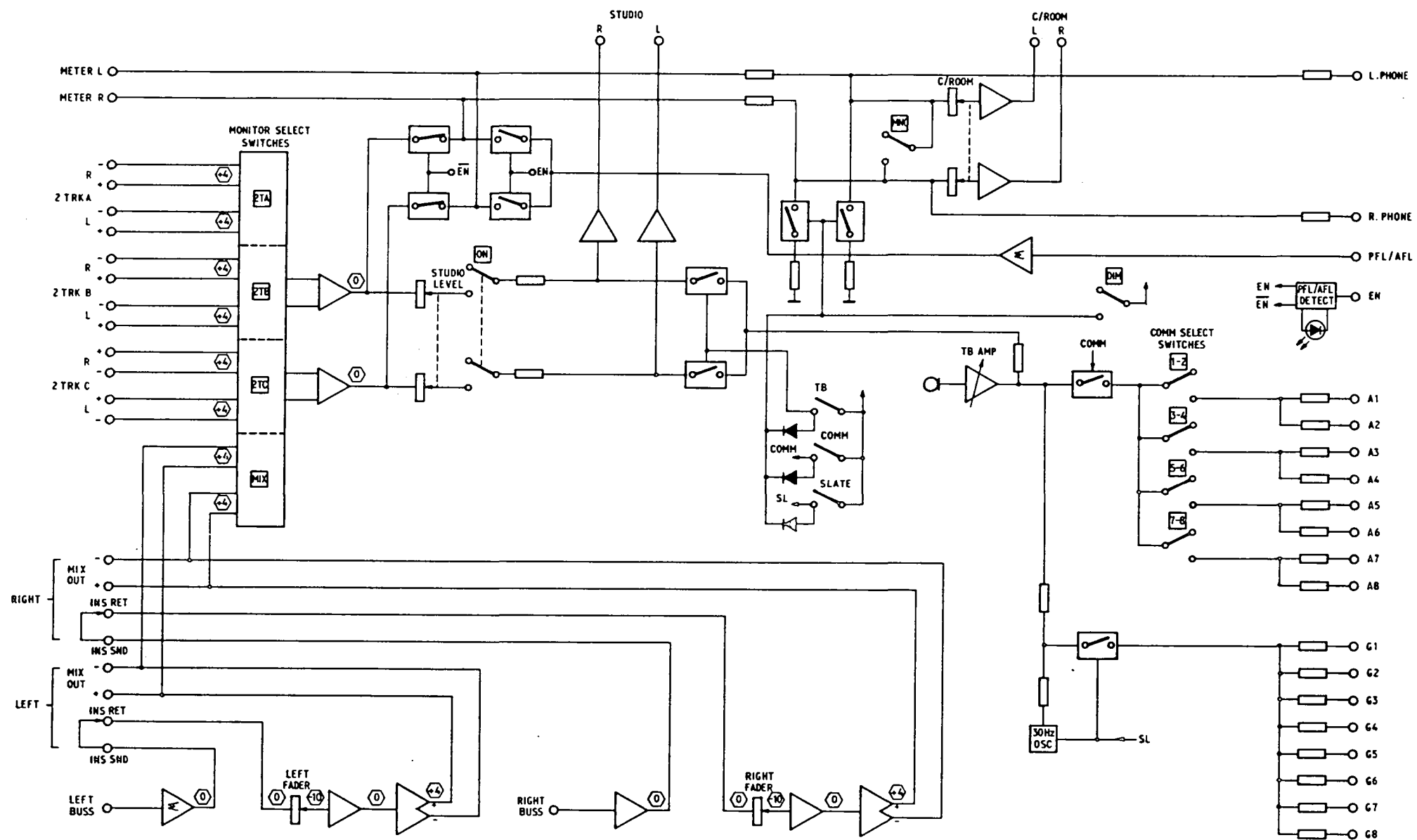
TRCD.

CHKD.

SOUNDRAFT ELECTRONICS LTD.  
5-8 GREAT SUTTON STREET  
LONDON EC4V 0BX.  
TELEPHONE. 01-251-3831/2/3  
TELEGRAMS. SOUNDRAFT LDN. EC1  
TELEX. UK No. 21198. USA No. 01-2203

TITLE. 8014  
AUX/MASTER  
BLOCK DIAGRAM

DRG No. MI 2253

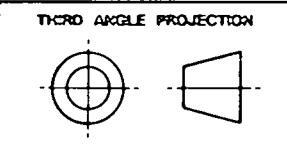


Soundcraft Electronics Limited  
own the copyright of this drawing  
which is not to be copied, reproduced  
or disclosed, in part or whole, to a  
third party without written permission.

NOTES.

HOLE INDEX.

TOLERANCE.  
All imperial dimensions  $\pm 0.010$   
All metric dimensions  $\pm 0.25mm$   
All angles  $\pm 0.50^\circ$   
Unless otherwise stated.

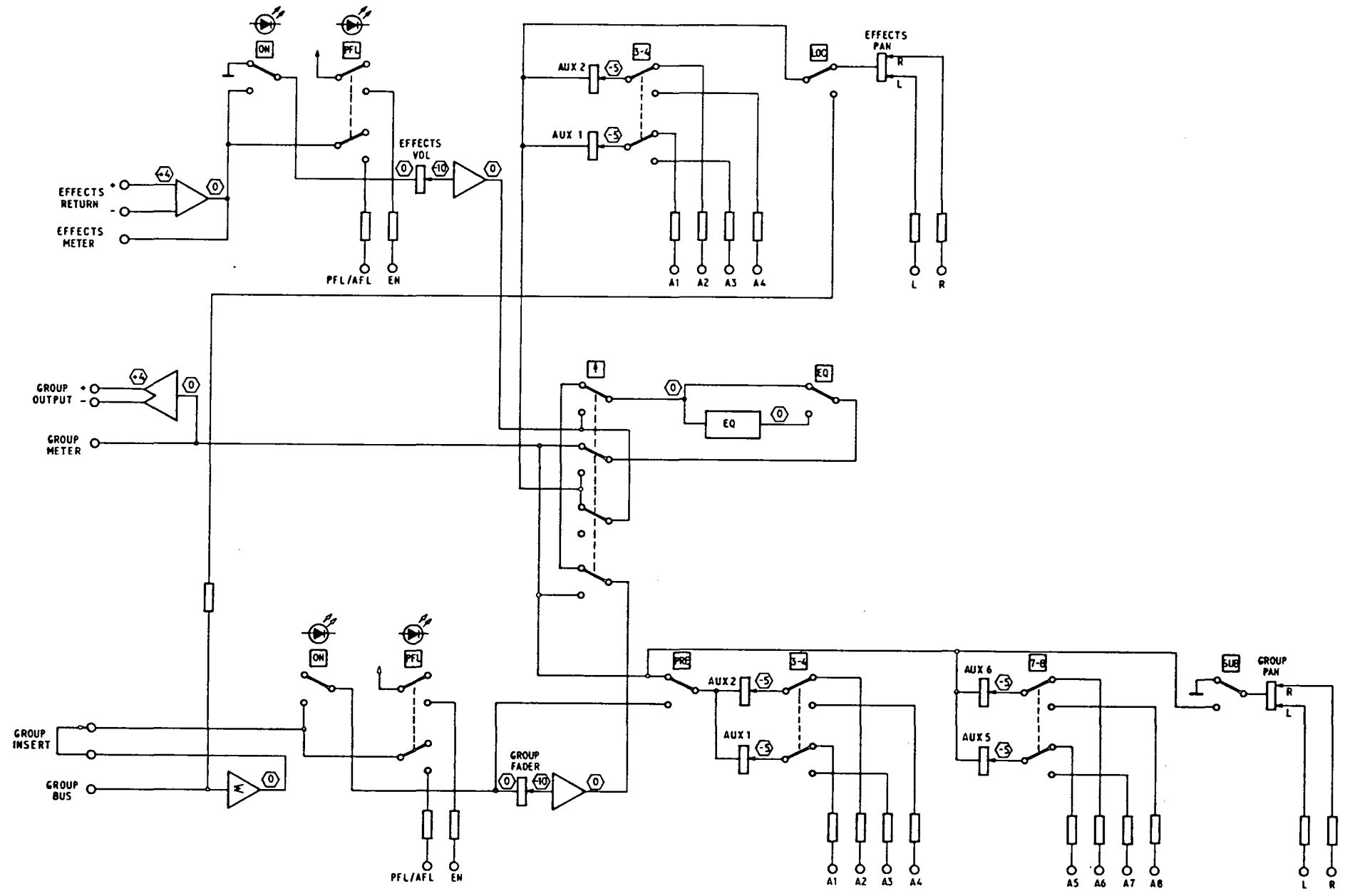


MATL. —  
FINISH. —  
SCALE. —

DRG. Mark  
TRCD.  
CHKD.

8015  
MASTER MODL  
BLOCK DIAGRAM  
DRG No. M12254

BOULDCRAFT ELECTRONICS LTD.  
5-8 GREAT BUTTON STREET  
LONDON, EC4V 0BX.  
TELEPHONE. 01-251-3831/2/3  
TELEGRAMS. BOUNDRAFT LON. EC1  
TELEX. UK No. 21188. USA No. 01-2203



Soundcraft Electronics Limited  
own the copyright of this drawing  
which is not to be copied, reproduced  
or disclosed, in part or whole, to a  
third party without written permission.

NOTES:  
  
HOLE INDEX:

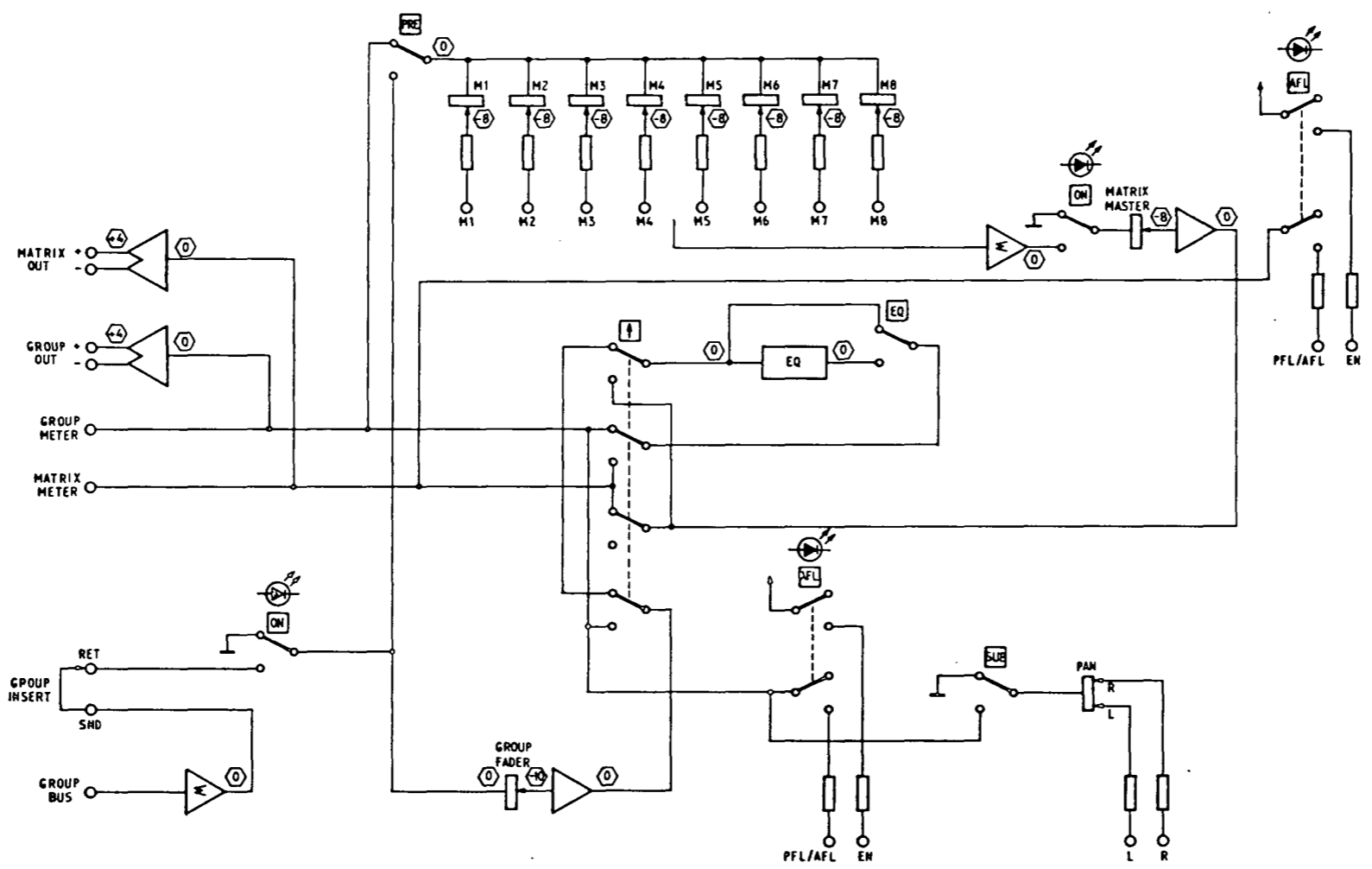
TOLERANCE:  
All imperial dimensions  $\pm 0.010$   
All metric dimensions  $\pm 0.25mm$   
All angles  $\pm 0.50^\circ$   
Unless otherwise stated.

THIRD ANGLE PROJECTION

MATL.	---
FINISH.	---
SCALE.	---

DRG. Mark	SOUNDCRAFT ELECTRONICS LTD. 5-8 GREAT SUTTON STREET LONDON. EC 4V. OBX. TELEPHONE. 01-251-3831/2/3 TELEGRAMS. SOUNDCRAFT LDN. EC1 TELEX. UK No. 21198. USA No. 01-2203
TRCD.	
CHKD.	

TITLE	8013 EFFECTS RETURN OUTPUT BLOCK DIAGRAM
DRG No.	M12255

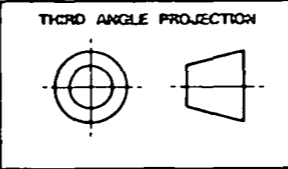


Soundcraft Electronics Limited  
own the copyright of this drawing  
which is not to be copied, reproduced  
or disclosed, in part or whole, to a  
third party without written permission.

NOTES.

HOLE INDEX.

TOLERANCE.  
All imperial dimensions  $\pm 0.010$   
All metric dimensions  $\pm 0.25mm$   
All angles  $\pm 0.5^\circ$   
Unless otherwise stated.



MATL. —  
FINISH. —  
SCALE. —

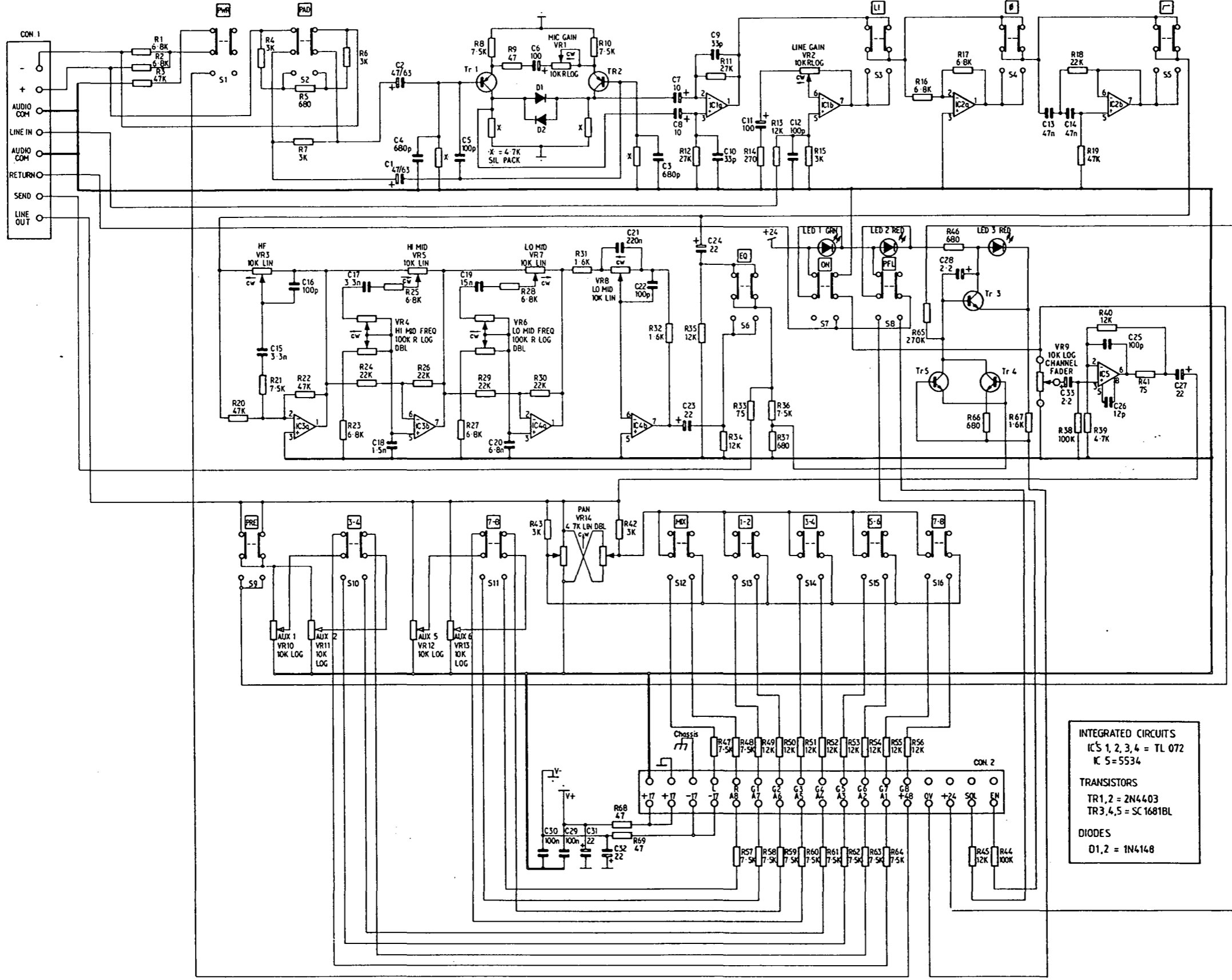
DRG. Mark  
TRCD.  
CHKD.

SOUNDCRAFT ELECTRONICS LTD.  
5-8 GREAT SUTTON STREET  
LONDON, EC4V 0BX.  
TELEPHONE. 01-251-3831/2/3  
TELEGRAMS. SOUNDCRAFT LDN. EC1  
TELEX. UK No. 21198. USA No. 01-2203

TITLE. 8016  
MATRIX OUTPUT  
BLOCK DIAGRAM  
DRG No. MI 2252



Issue 1	3-6-82
Issue 2	7-9-84
Issue 3	8-8-86



**NOTES**

- ① C33 not fitted before Issue 3 PCB Retrofit recommended.
- ② C27 reversed before Issue 3.
- ③ On early consoles R68 and R69 may be 75R.

**INTEGRATED CIRCUITS**  
 IC'S 1, 2, 3, 4 = TL 072  
 IC 5 = 5534

**TRANSISTORS**  
 TR1, 2 = 2N4403  
 TR3, 4, 5 = SC 1681BL

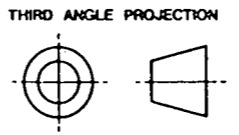
**DIODES**  
 D1, 2 = 1N4148

Soundcraft Electronics Limited own the copyright of this drawing which is not to be copied, reproduced or disclosed, in part or whole, to a third party without written permission.

**NOTES.** Capacitors in micro farads Resistors in ohms Unless otherwise stated  
 PART No. RA0240, RB0204

**HOLE INDEX.**

**TOLERANCE.**  
 All imperial dimensions  $\pm 0.010$   
 All metric dimensions  $\pm 0.25mm$   
 All angles  $\pm 0.50^\circ$   
 Unless otherwise stated.

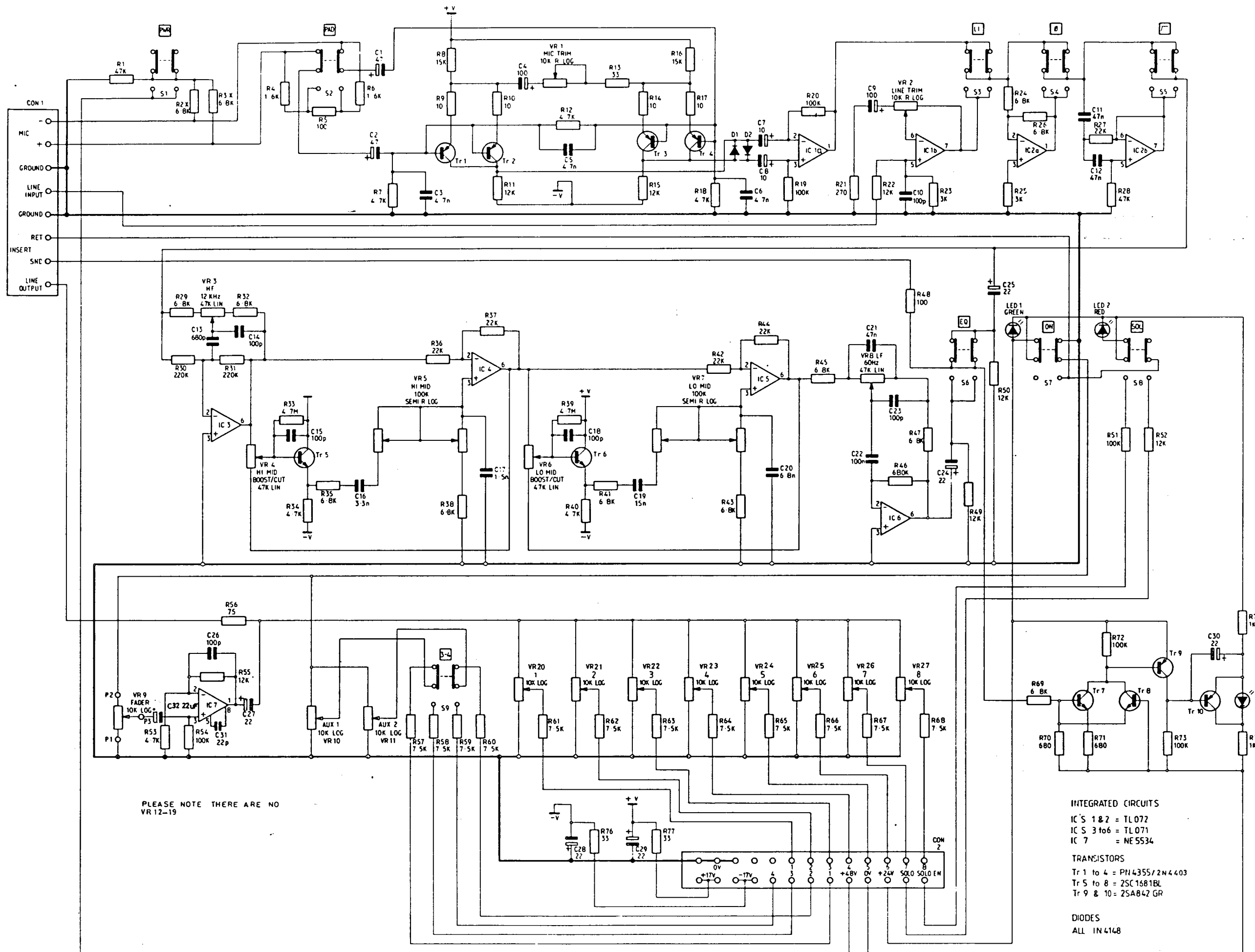


**MATL.** —  
**FINISH.** —  
**SCALE.** —

**DRG.** Barry  
**TRCD.**  
**CHKD.**

**SOUNDCRAFT ELECTRONICS LTD.**  
 5-8 GREAT SUTTON STREET  
 LONDON. EC 4V. 08X.  
 TELEPHONE. 01-251-3831/2/3  
 TELEGRAMS. SOUNDCRAFT LDN. EC1  
 TELEX. UK No. 21198. USA No. 01-2203

**TITLE.** 8011  
 STANDARD INPUT  
 MODULE  
 (FOR SC1276)  
**DRG No.** ED 2102



PLEASE NOTE THERE ARE NO VR 12-19

INTEGRATED CIRCUITS

IC'S 1 & 2 = TL072  
 IC'S 3 to 6 = TL071  
 IC 7 = NE5534

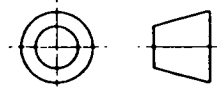
TRANSISTORS

Tr 1 to 4 = PH4355/2N4403  
 Tr 5 to 8 = 2SC1681BL  
 Tr 9 & 10 = 2SA842 GR

DIODES

ALL IN 4148

THIRD ANGLE PROJECTION



NOTES

Resistors in ohms  
 Capacitors in micro farads  
 Unless otherwise stated  
 Resistors marked X are 1%  
 For part no RA 0162, RB0177

TOLERANCE

All imperial dimensions  $\pm 0.01$   
 All metric dimensions  $\pm 0.25\text{mm}$   
 All angles  $\pm 0.50^\circ$   
 Unless otherwise stated

HOLE INDEX

MATL

---

FINISH

---

SCALE

---

DRN

Barry

TRCD

---

CHKD

---

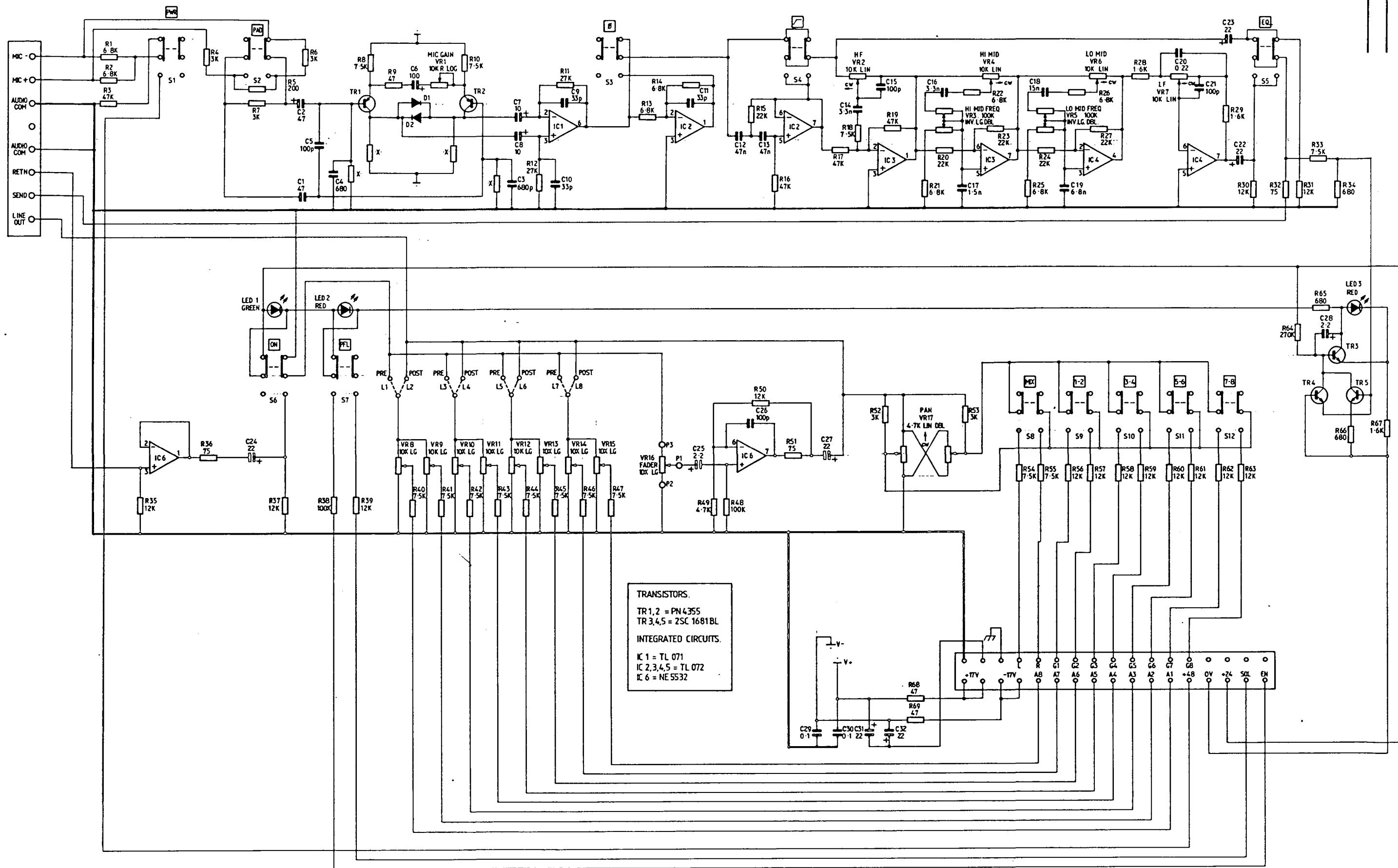
SOUNDCRAFT ELECTRONICS LTD

5-8 GREAT SUTTON STREET  
 LONDON EC1V 0BX.  
 TELEPHONE: 01-251-3631/2/3  
 TELEGRAMS SOUNDCRAFT LDN EC1  
 TELEX: UK No 21198, USA No 224408

TITLE

S800B  
 MONITOR INPUT & FADER PCB  
 (SC1305)

DRG. No. ED2250



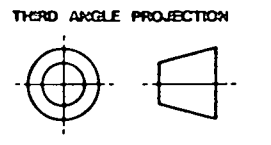
TRANSISTORS.  
 TR 1, 2 = PN 4355  
 TR 3, 4, 5 = 2SC 1681BL  
 INTEGRATED CIRCUITS.  
 IC 1 = TL 071  
 IC 2, 3, 4, 5 = TL 072  
 IC 6 = NE 5532

Soundcraft Electronics Limited  
 own the copyright of this drawing  
 which is not to be copied, reproduced  
 or disclosed, in part or whole, to a  
 third party without written permission.

NOTES.  
 Resistors in ohms  
 Capacitors in micro farads  
 Unless otherwise stated  
 For Part no. RA0298

HOLE INDEX.

TOLERANCE.  
 All imperial dimensions  $\pm 0.010$   
 All metric dimensions  $\pm 0.25mm$   
 All angles  $\pm 0.50^\circ$   
 Unless otherwise stated.



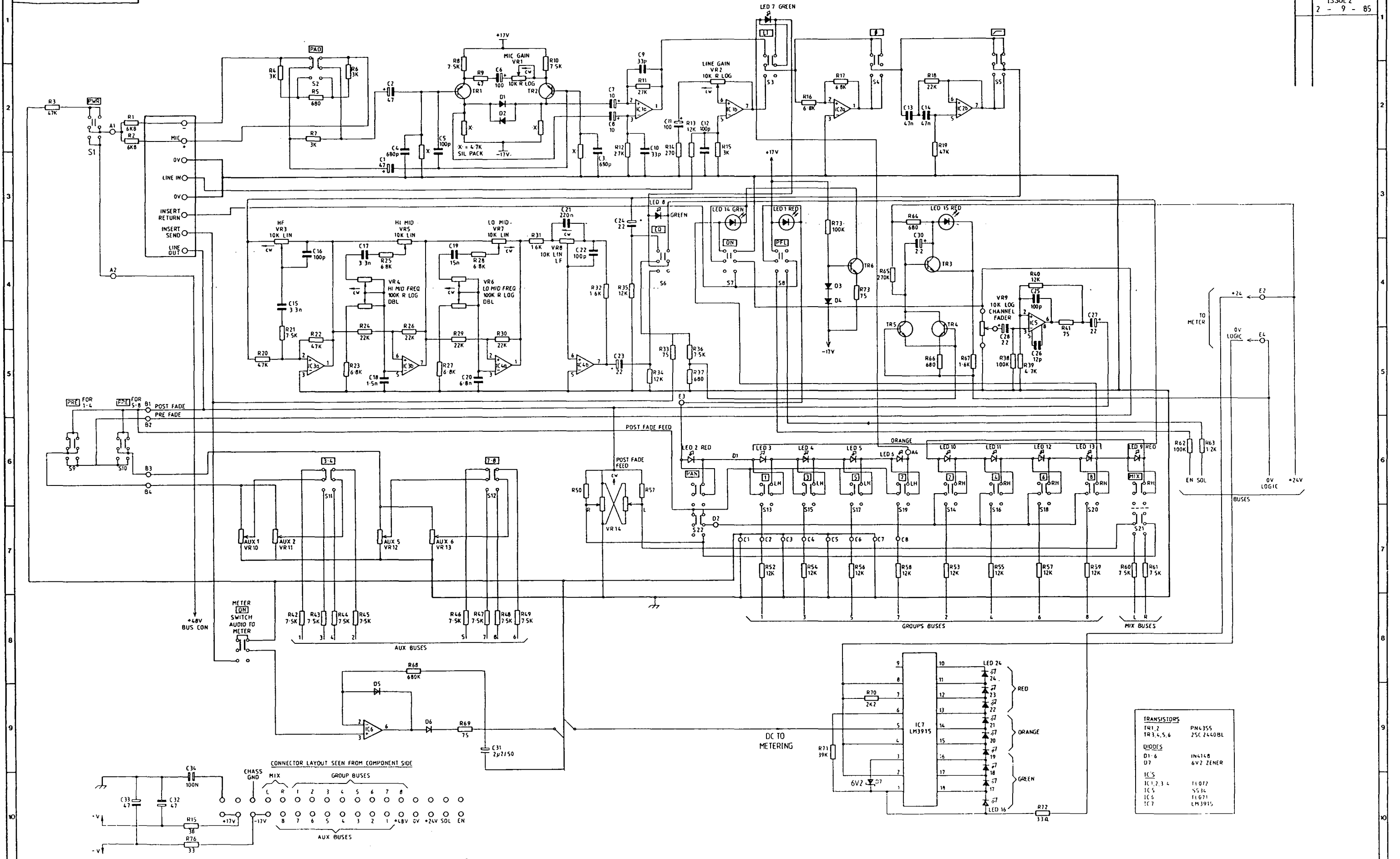
MATL. —  
 FINISH. —  
 SCALE. —

DRG. Barry  
 TRCD.  
 CHKD.

SOUNDRAFT ELECTRONICS LTD.  
 5-8 GREAT SUTTON STREET  
 LONDON. EC 4V. OBX.  
 TELEPHONE. 01-251-3831/2/3  
 TELEGRAMS. SOUNDRAFT LDN EC 4  
 TELEX. UK No. 21198. USA No. 01-2203

TITLE  
 8017  
 PA INPUT MODULE  
 (FOR SC 1294)

DRG No. ED 2108



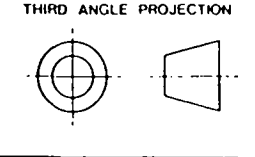
TRANSISTORS	
TR1, 2	PN4355
TR3, 4, 5, 6	2SC2440BL
DIODES	
D1-6	1N4148
D7	6V2 ZENER
IC'S	
IC1, 2, 3, 4	11072
IC5	5534
IC6	11071
IC7	LM3915

Soundcraft Electronics Limited own the copyright of this drawing which is not to be copied, reproduced or disclosed, in part or whole, to a third party without written permission.

NOTES.

HOLE INDEX.

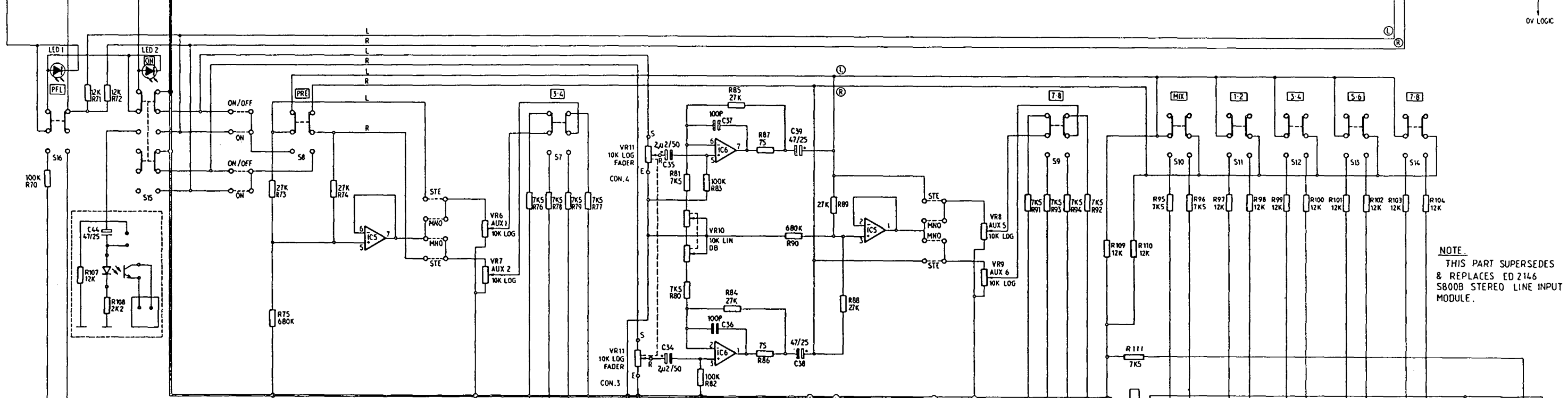
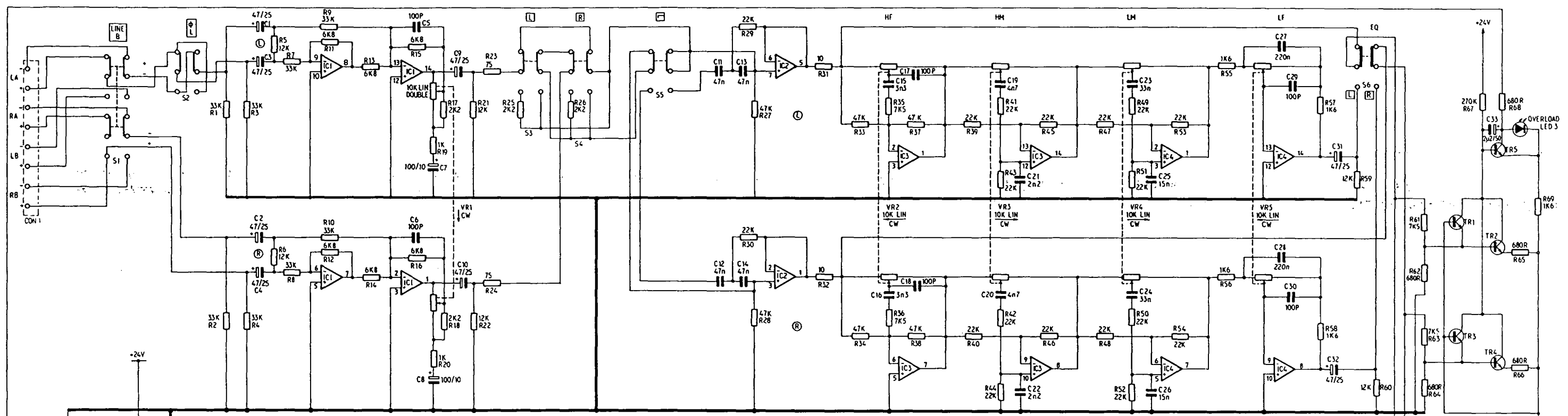
TOLERANCE.  
All imperial dimensions  $\pm 0.010$   
All metric dimensions  $\pm 0.25mm$   
All angles  $\pm 0.50^\circ$   
Unless otherwise stated.



MATL.  
FINISH.  
SCALE.

DRG. SOUNDSCRAFT ELECTRONICS LTD.  
5-8 GREAT SUTTON STREET  
LONDON. EC4V. OBX.  
TELEPHONE. 01-251-3631/2/3  
TELEGRAMS. SOUNDSCRAFT LON. EC1  
TELEX. UK No. 21198 USA No. 01-2203

TITLE.  
S300B  
THEATRE INPUT  
MODULE  
DRG No. ED 2209



COMPONENT	VALUE	PART N°
IC2,5	TLO72	BE0413
IC1,3,4	TLO74	BE0403
IC6	NE5532	BE0428
TR1-5	2SC2240BL	B00302
LED 2	TLG102	JA0001
LED1,3	TLR102	JA0002

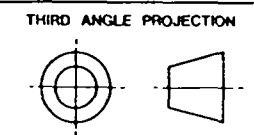
NOTE  
THIS PART SUPERSEDES  
& REPLACES ED 2146  
S800B STEREO LINE INPUT  
MODULE.

Soundcraft Electronics Limited  
own the copyright of this drawing  
which is not to be copied, reproduced  
or disclosed, in part or whole, to a  
third party without written permission.

NOTES.  
Resistors in ohms  
Capacitors in micro farads  
Unless otherwise stated

HOLE INDEX.

TOLERANCE.  
All imperial dimensions ±0.010  
All metric dimensions ±0.25mm  
All angles ±0.50°  
Unless otherwise stated.

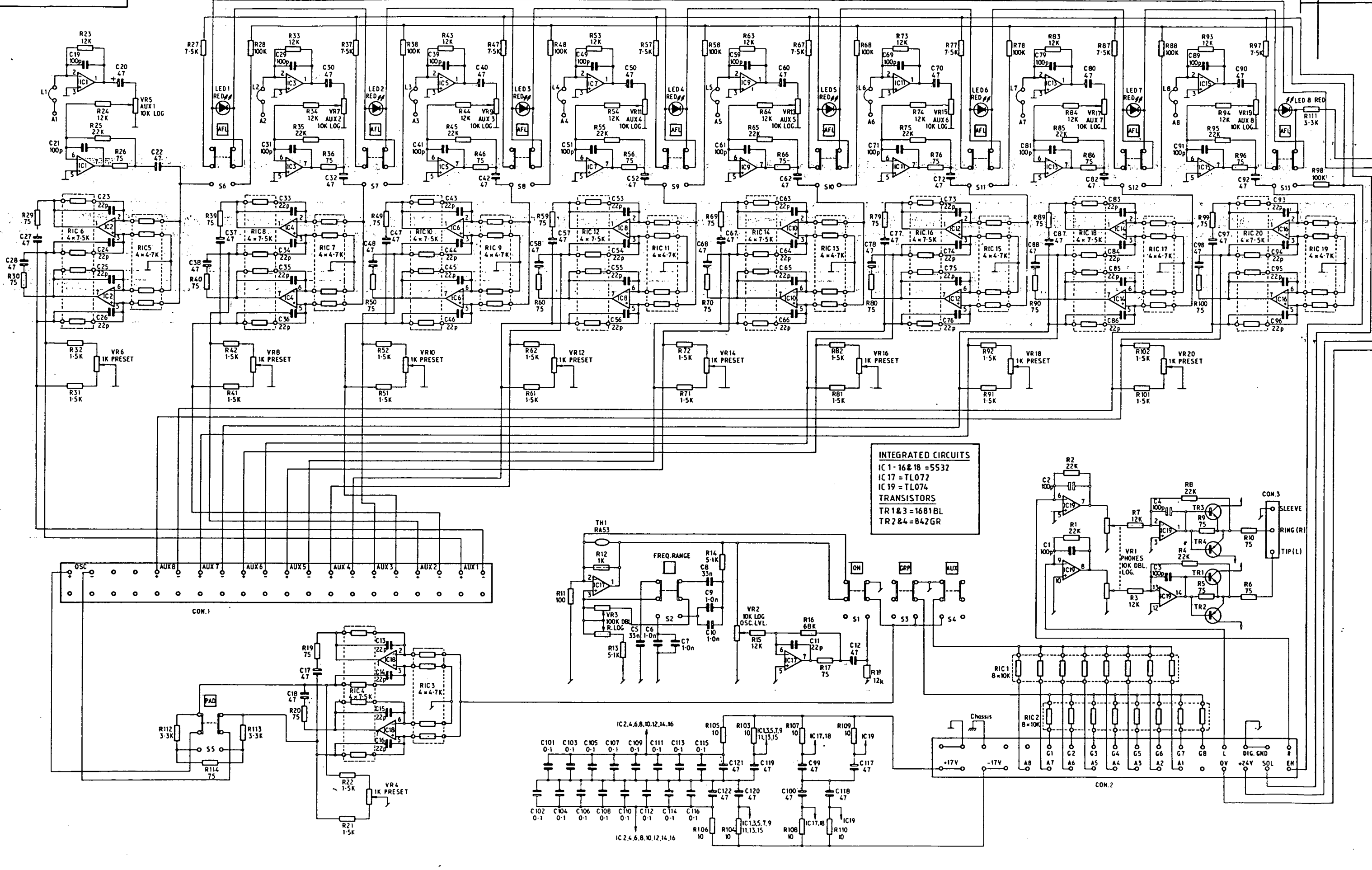


MATL. \_\_\_\_\_  
FINISH. \_\_\_\_\_  
SCALE. \_\_\_\_\_

DRG. \_\_\_\_\_  
TRCD. \_\_\_\_\_  
CHKD. \_\_\_\_\_  
G C 5/12/83

SOUNDRAFT ELECTRONICS LTD.  
5-8 GREAT SUTTON STREET  
LONDON, EC IV, OBX.  
TELEPHONE. 01-251-3631/2/3  
TELEGRAMS. SOUNDRAFT LDN. EC1  
TELEX. UK No. 21198. USA No. 01-2203

TITLE.  
S8000  
STEREO LINE (8200)  
INPUT MODULE  
(FOR SC 2615)  
DRG No. ED 2600



**INTEGRATED CIRCUITS**  
 IC 1-16 & 18 = 5532  
 IC 17 = TL072  
 IC 19 = TL074

**TRANSISTORS**  
 TR 1 & 3 = 1681BL  
 TR 2 & 4 = 842GR

Soundcraft Electronics Limited  
 own the copyright of this drawing  
 which is not to be copied, reproduced  
 or disclosed, in part or whole, to a  
 third party without written permission.

**NOTES.**  
 All resistors in ohms  
 All capacitors in microfarads  
 Unless otherwise stated.  
 PART No. RA0261

**HOLE INDEX.**

**TOLERANCE.**  
 All imperial dimensions  $\pm 0.010$   
 All metric dimensions  $\pm 0.25mm$   
 All angles  $\pm 0.50^\circ$   
 Unless otherwise stated.

**THIRD ANGLE PROJECTION**

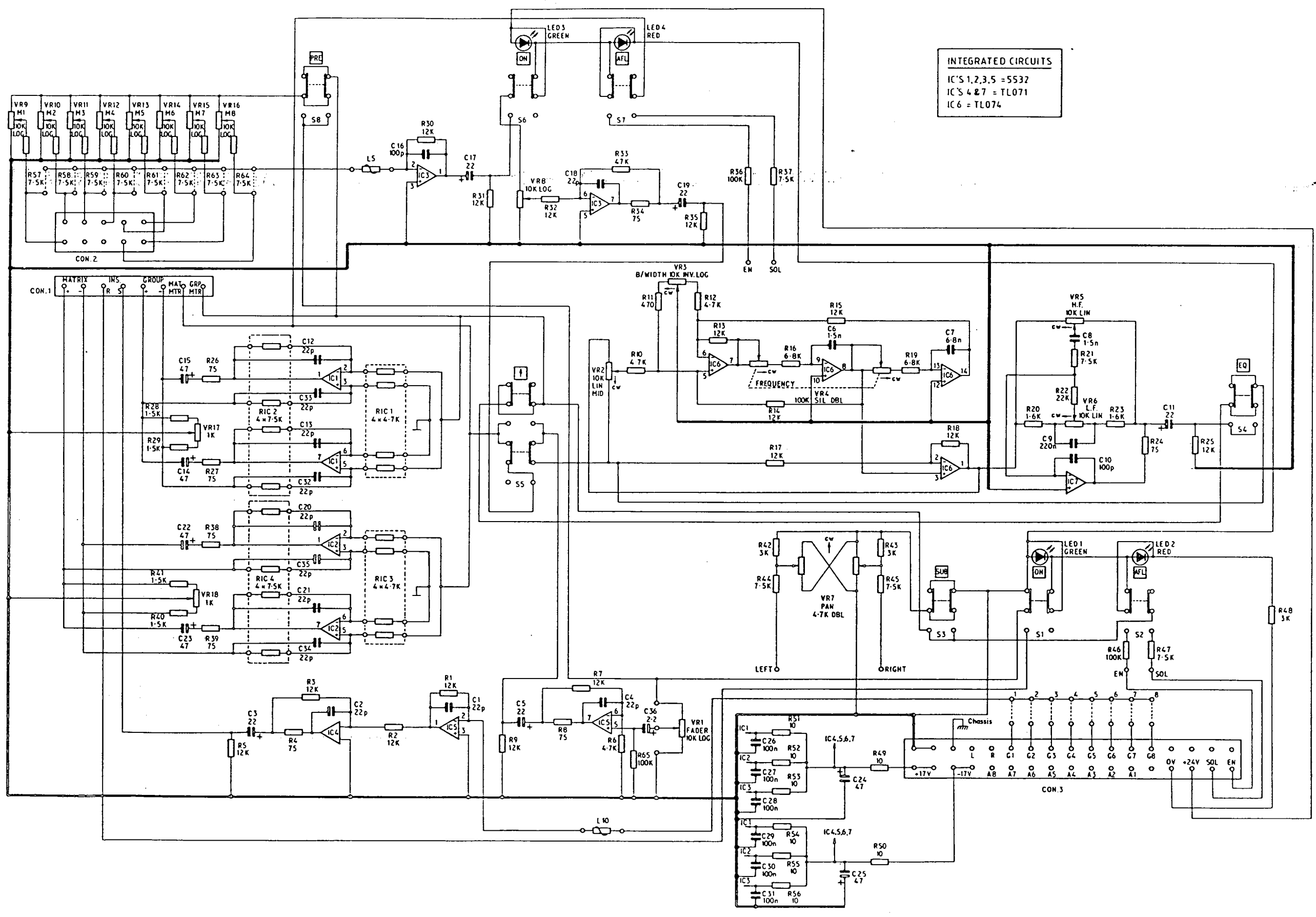
**MATL.** —  
**FINISH.** —  
**SCALE.** —

**DRG.** Mark  
**TRCD.**  
**CHGD.**

**SOUNDRAFT ELECTRONICS LTD.**  
 6-8 GREAT SUTTON STREET  
 LONDON, EC4V 0BX.  
 TELEPHONE. 01-251-3831/2/3  
 TELEGRAMS. SOUNDRAFT LDN. EC1  
 TELEX. UK No. 21198. USA No. 01-2203

**TITLE.** 8014  
 AUX / MASTER  
 MODULE  
 (FOR SC1247)

DRG No. ED 2105



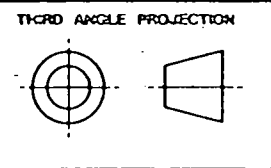
INTEGRATED CIRCUITS  
 IC'S 1,2,3,5 = 5532  
 IC'S 4 & 7 = TL071  
 IC6 = TL074

Soundcraft Electronics Limited  
 is the copyright of this drawing  
 which is not to be copied, reproduced  
 or disclosed, in part or whole, to a  
 third party without written permission.

NOTES.  
 All resistors in ohms  
 All capacitors in microfarads  
 Unless otherwise stated  
 FOR PART No. RA0246

HOLE INDEX.

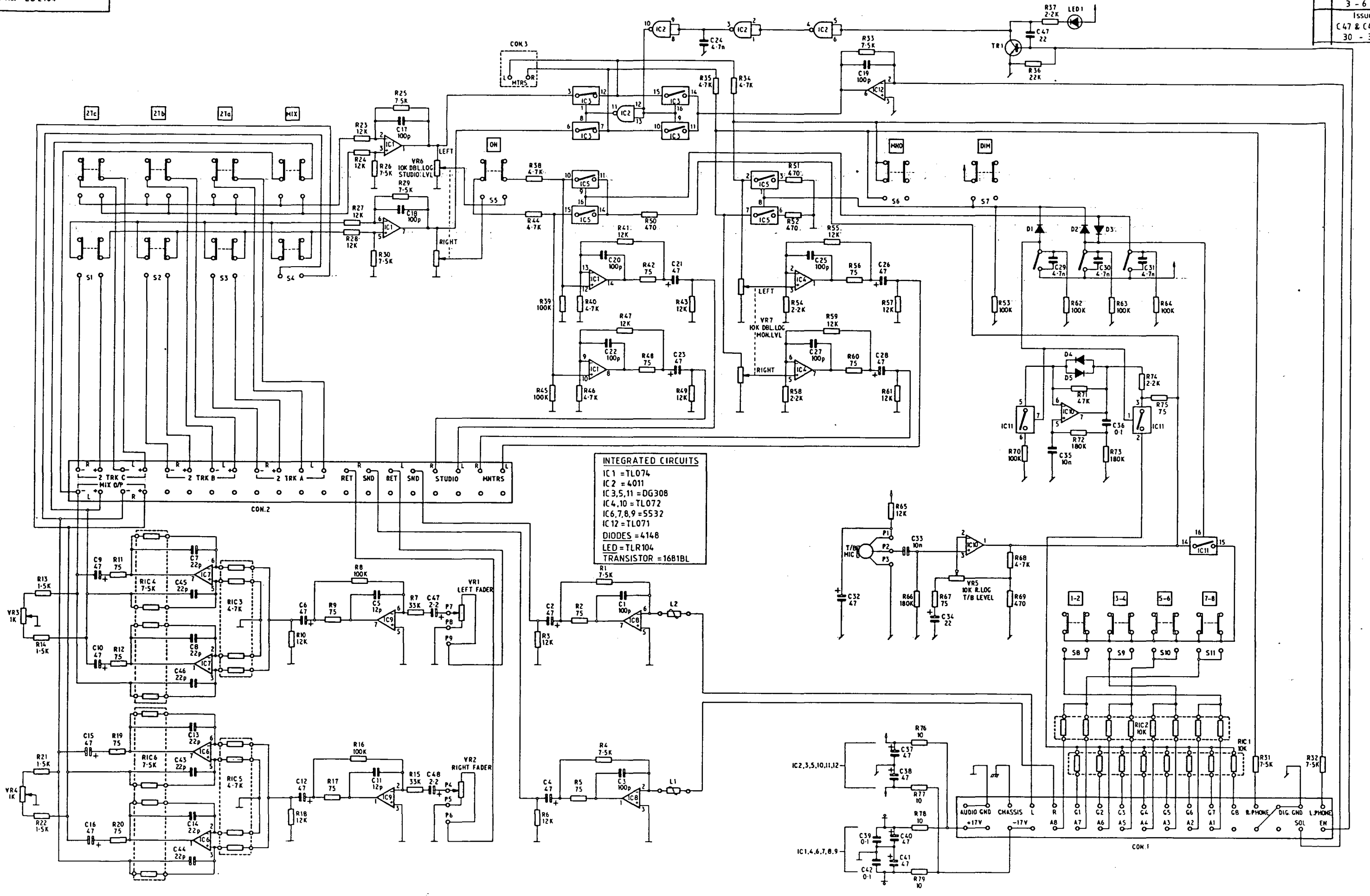
TOLERANCE.  
 All imperial dimensions  $\pm 0.010$   
 All metric dimensions  $\pm 0.25mm$   
 All angles  $\pm 0.50^\circ$   
 Unless otherwise stated.



MATL. —  
 FINISH. —  
 SCALE. —

DRG. Mark  
 TRCD.  
 CHKD.  
 SOUNDRAFT ELECTRONICS LTD.  
 6-8 GREAT SUTTON STREET  
 LONDON, EC4V 0BX.  
 TELEPHONE. 01-251-3831/2/3  
 TELEGRAMS. SOUNDRAFT LON. EC1  
 TELEX. UK No. 21198, USA No. 01-2203

TITLE. 8016  
 MATRIX OUTPUT  
 MODULE  
 (FOR SC1246)  
 DRG No. ED 2106



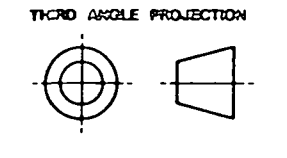
**INTEGRATED CIRCUITS**  
 IC 1 = TL074  
 IC 2 = 4011  
 IC 3, 5, 11 = DG308  
 IC 4, 10 = TL072  
 IC 6, 7, 8, 9 = 5532  
 IC 12 = TL071  
 DIODES = 4148  
 LED = TLR104  
 TRANSISTOR = 16B1BL

Soundcraft Electronics Limited  
 own the copyright of this drawing  
 which is not to be copied, reproduced  
 or disclosed, in part or whole, to a  
 third party without written permission.

**NOTES.**  
 Capacitors in microfarads.  
 Resistors in ohms  
 Unless otherwise stated.  
 PART No. RA0260

**HOLE INDEX.**

**TOLERANCE.**  
 All Imperial dimensions  $\pm 0.010$   
 All metric dimensions  $\pm 0.25mm$   
 All angles  $\pm 0.50^\circ$   
 Unless otherwise stated.



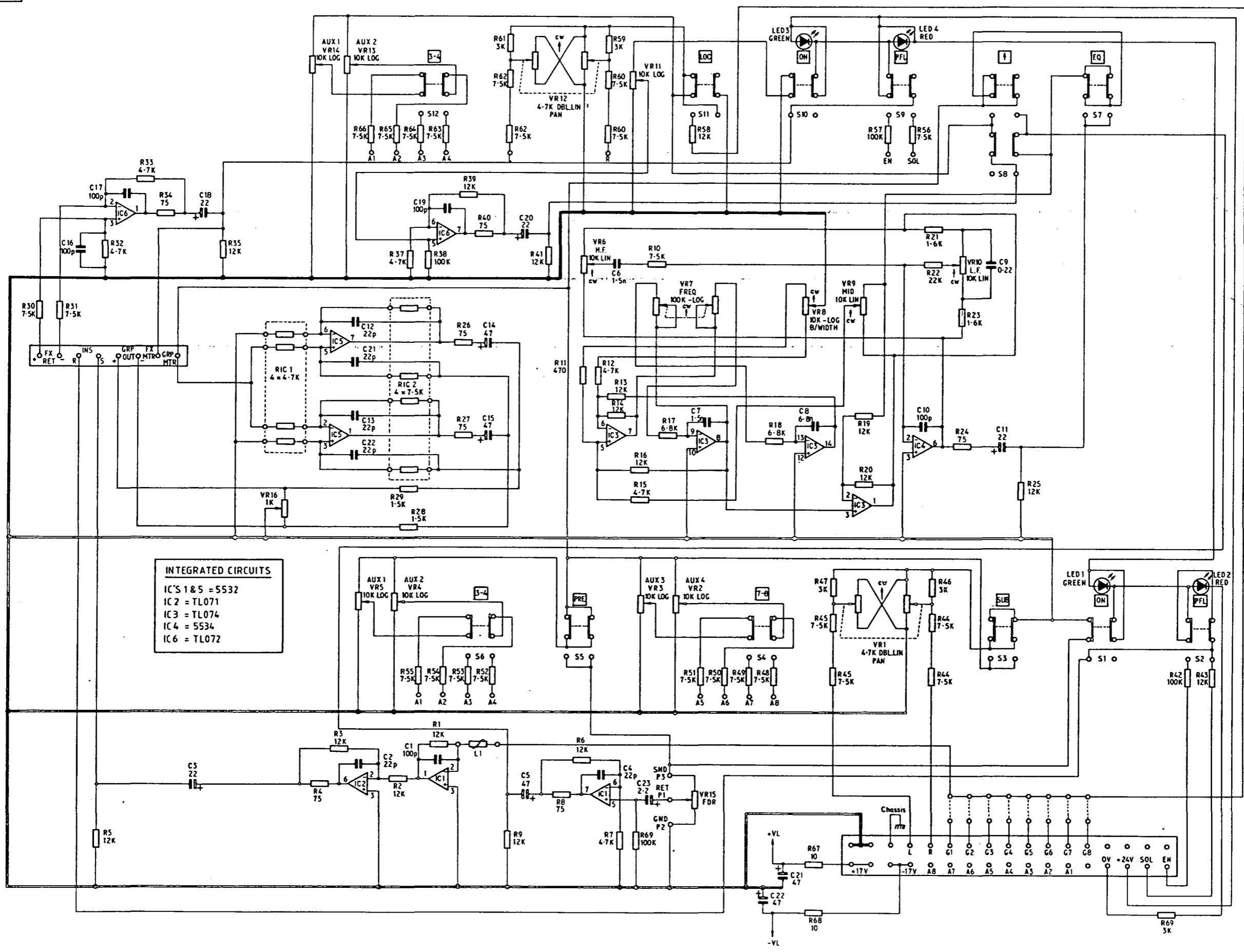
**MATL.** —  
**FINISH.** —  
**SCALE.** —

**DRG. Mark**  
**TRCD.**  
**CHGD.**

**SOUNDRAFT ELECTRONICS LTD.**  
 5-8 GREAT SUTTON STREET  
 LONDON, EC4V 0BX.  
 TELEPHONE 01-251-3831/2/3  
 TELEGRAMS: SOUNDRAFT LON. EC1  
 TELEX: UK No. 21198. USA No. 01-2203

**TITLE** 8015  
**MASTER MODULE**  
 (SC1245)  
 DRG No. ED 2104





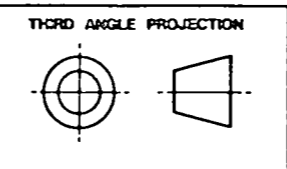
**INTEGRATED CIRCUITS**  
 IC'S 1 & 5 = 5532  
 IC 2 = TL071  
 IC 3 = TL074  
 IC 4 = 5534  
 IC 6 = TL072

Soundcraft Electronics Limited  
 own the copyright of this drawing  
 which is not to be copied, reproduced  
 or disclosed, in part or whole, to a  
 third party without written permission.

**NOTES.**  
 Capacitors in microfarads.  
 Resistors in ohms.  
 Unless otherwise stated.  
 PART No. RA0245

**HOLE INDEX.**

**TOLERANCE.**  
 All imperial dimensions  $\pm 0.010$   
 All metric dimensions  $\pm 0.25mm$   
 All angles  $\pm 0.50^\circ$   
 Unless otherwise stated.



**MATL.** —  
**FINISH.** —  
**SCALE.** —

**DRG. Mark**  
**TRCD.**  
**CHKD.**

**SOUNDCRAFT ELECTRONICS LTD.**  
 5-8 GREAT BUTTON STREET  
 LONDON, EC IV, 0BX.  
 TELEPHONE: 01-251-3831/2/3  
 TELEGRAMS: SOUNDCRAFT LDX, EC1  
 TELEX: UK No. 21198, USA No. 01-2203

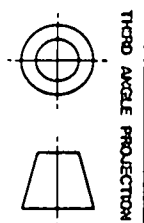
**TITLE.** 8013  
 EFFECTS RETURN O/P  
 MODULE  
 (FOR SC1234)  
**DRG No.** ED 2107

Soundcraft Electronics Limited  
 can be copyright of this drawing  
 which is not to be copied, reproduced  
 or disclosed in part or whole, to a  
 third party without written permission.

NOTES:  
 All resistors in ohms  
 All capacitors in microfarads unless otherwise stated

SCALE: 1:1

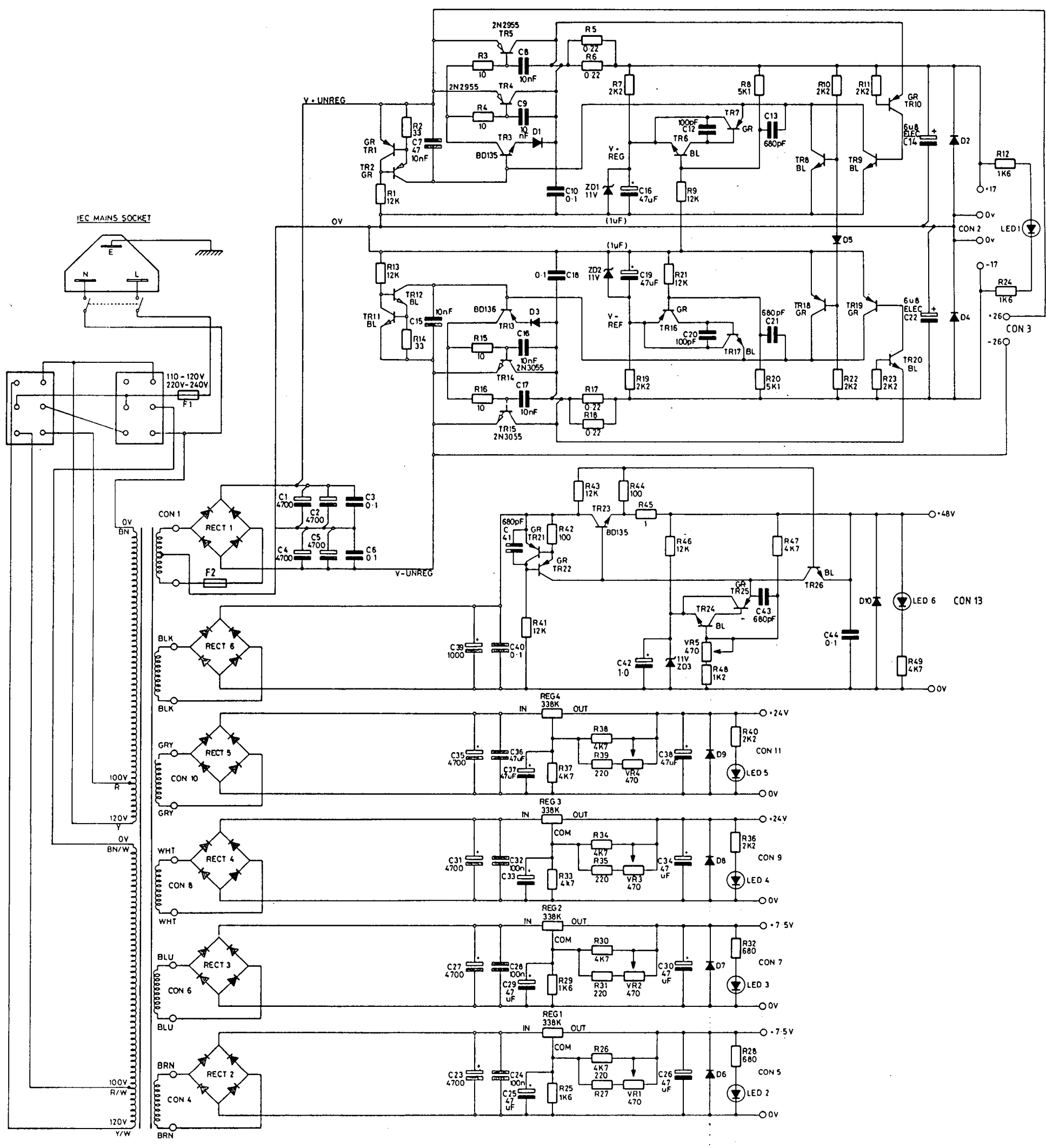
TOLERANCE:  
 All imperial dimensions  $\pm 0.010$   
 All metric dimensions  $\pm 0.25mm$   
 All angles  $\pm 0.5^\circ$   
 Unless otherwise stated.



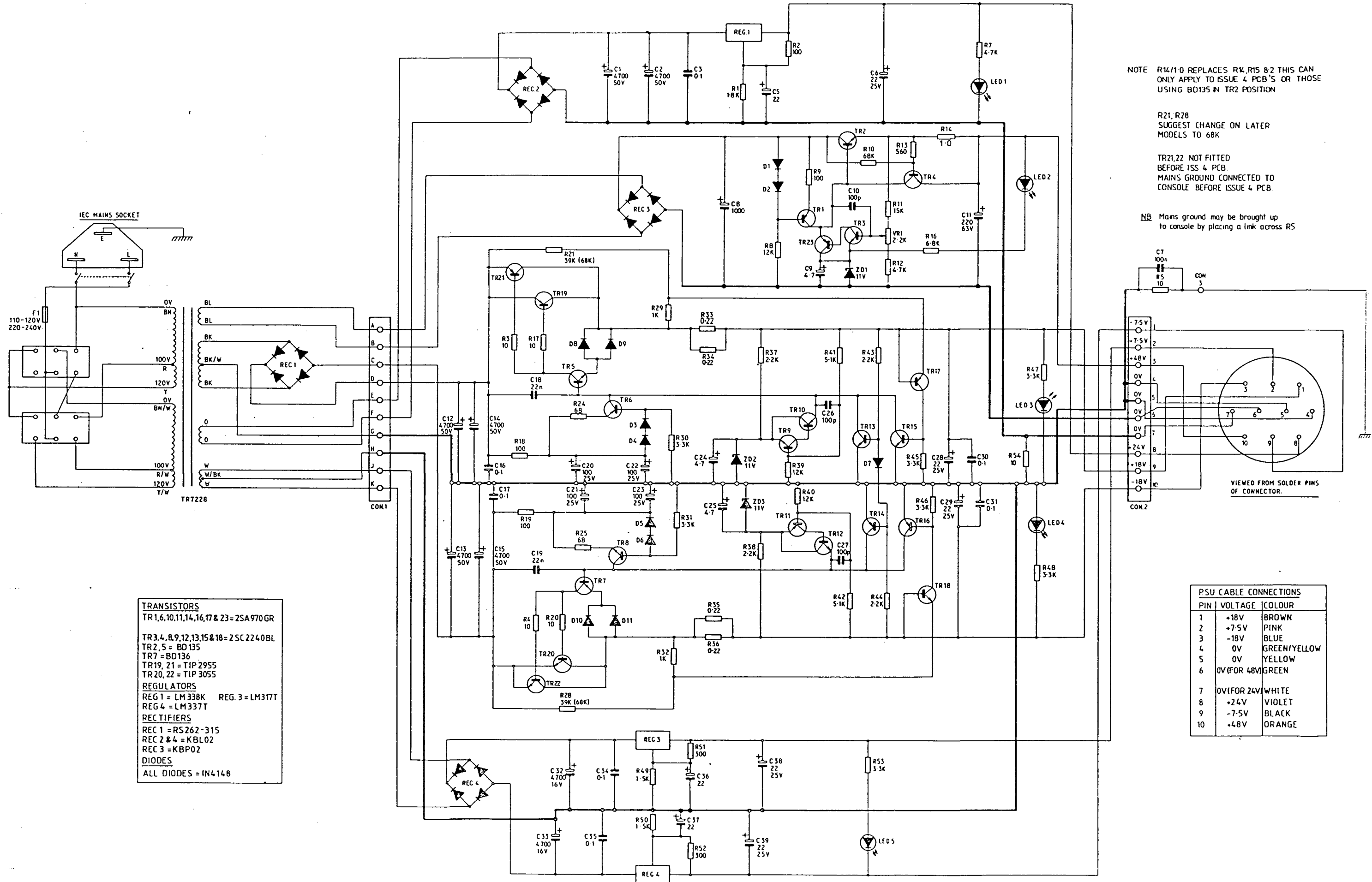
DRG.	MATL.
Denise	FRESH
TRCD	

SOUNDSCRAFT ELECTROXCS LTD.  
 5-8 GREAT SUTTON STREET  
 LONDON, EC 4V 0BX  
 TELEPHONE: 01-251-3631/2/3  
 TELEGRAMS: SOUNDSCRAFT LON ECT

TITLE: LARGE CONSOLE P.S.U.  
 SC 1448  
 ISSUE 2



REV	DATE	DESCRIPTION
1	27.6.84	ISSUE 1
2	28.8.84	ISSUE 2 (4.7 was 4.7uF)
3	8.10.86	ISSUE 3 (C14 & C22 are now polarised)
4	23.7.87	ISSUE 4 FUSE 2 ADDED
5	29.7.88	ISSUE 5 TR15 WAS 2N3055



NOTE R14/10 REPLACES R14, R15 8.2 THIS CAN ONLY APPLY TO ISSUE 4 PCB'S OR THOSE USING BD135 IN TR2 POSITION

R21, R28 SUGGEST CHANGE ON LATER MODELS TO 68K

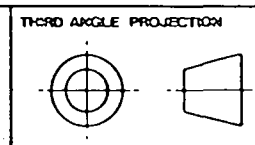
TR21, 22 NOT FITTED BEFORE ISS 4 PCB MAINS GROUND CONNECTED TO CONSOLE BEFORE ISSUE 4 PCB

NB Mains ground may be brought up to console by placing a link across R5

- TRANSISTORS**  
 TR1, 6, 10, 11, 14, 16, 17 & 23 = 2SA970GR  
 TR3, 4, 8, 9, 12, 13, 15 & 18 = 2SC2240BL  
 TR2, 5 = BD135  
 TR7 = BD136  
 TR19, 21 = TIP2955  
 TR20, 22 = TIP3055
- REGULATORS**  
 REG1 = LM338K REG. 3 = LM317T  
 REG4 = LM337T
- RECTIFIERS**  
 REC1 = RS262-315  
 REC2 & 4 = KBL02  
 REC3 = KBP02
- DIODES**  
 ALL DIODES = IN4148

PSU CABLE CONNECTIONS		
PIN	VOLTAGE	COLOUR
1	+18V	BROWN
2	+7.5V	PINK
3	-18V	BLUE
4	0V	GREEN/YELLOW
5	0V	YELLOW
6	0V (FOR 48V)	GREEN
7	0V (FOR 24V)	WHITE
8	+24V	VIOLET
9	-7.5V	BLACK
10	+48V	ORANGE

- Issue 1 12-11-81
- Issue 2 19-1-82
- Issue 3 3-3-82
- Issue 4 9-7-82
- Issue 5 16-11-83
- Issue 6 10-9-84



**NOTES**  
 All resistors in ohms.  
 All capacitors in microfarads, unless otherwise stated.  
 R33, 34, 35, 36 all 2.5W wirewound  
 FOR F.P. No. G00336

**TOLERANCE**  
 All imperial dimensions ±0.01  
 All metric dimensions ±0.25mm  
 All angles ±0.50°  
 Unless otherwise stated

**HOLE INDEX**

**MATL** —  
**FINISH** —  
**SCALE** —

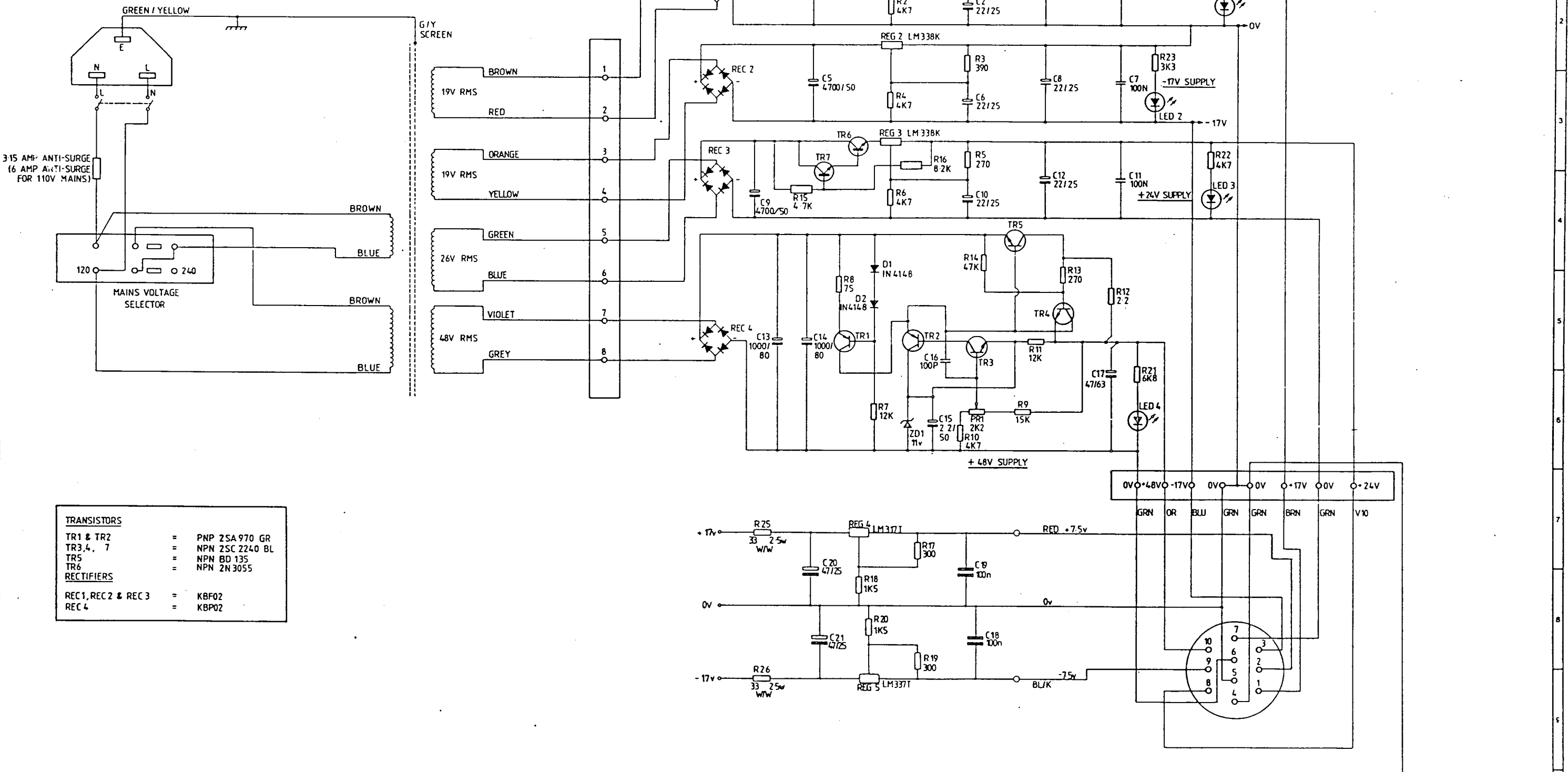
**DRN MARK**  
**TRCD**  
**CHKD**

**SOUNDCRAFT ELECTRONICS LTD**  
 5-8 GREAT SUTTON STREET  
 LONDON EC1V 0BX.  
 TELEPHONE 01-251-3631/2/3  
 TELEGRAMS SOUNDCRAFT LON EC1  
 FAX, UK, No. 21198. USA No. 224408

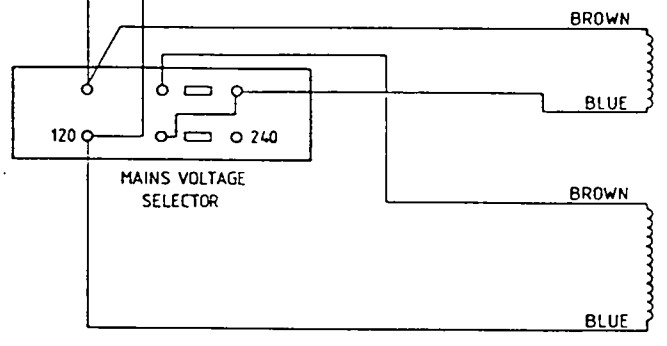
**TITLE**  
 POWER SUPPLY  
 CIRCUIT DIAGRAM  
 (SC1218 Iss.4)

**DRG. No. ED 2093**

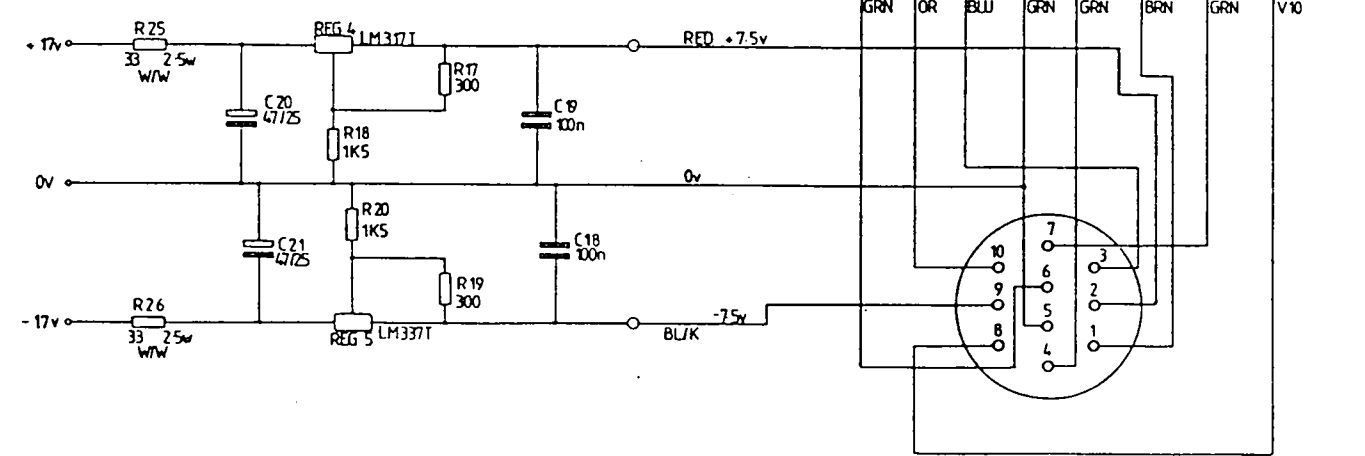
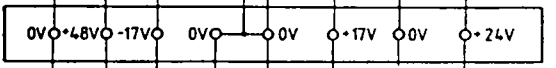
Issue 1	25-10-84
Issue 2	7-1-85
Issue 3	22/1/85
Issue 4	31-1-85



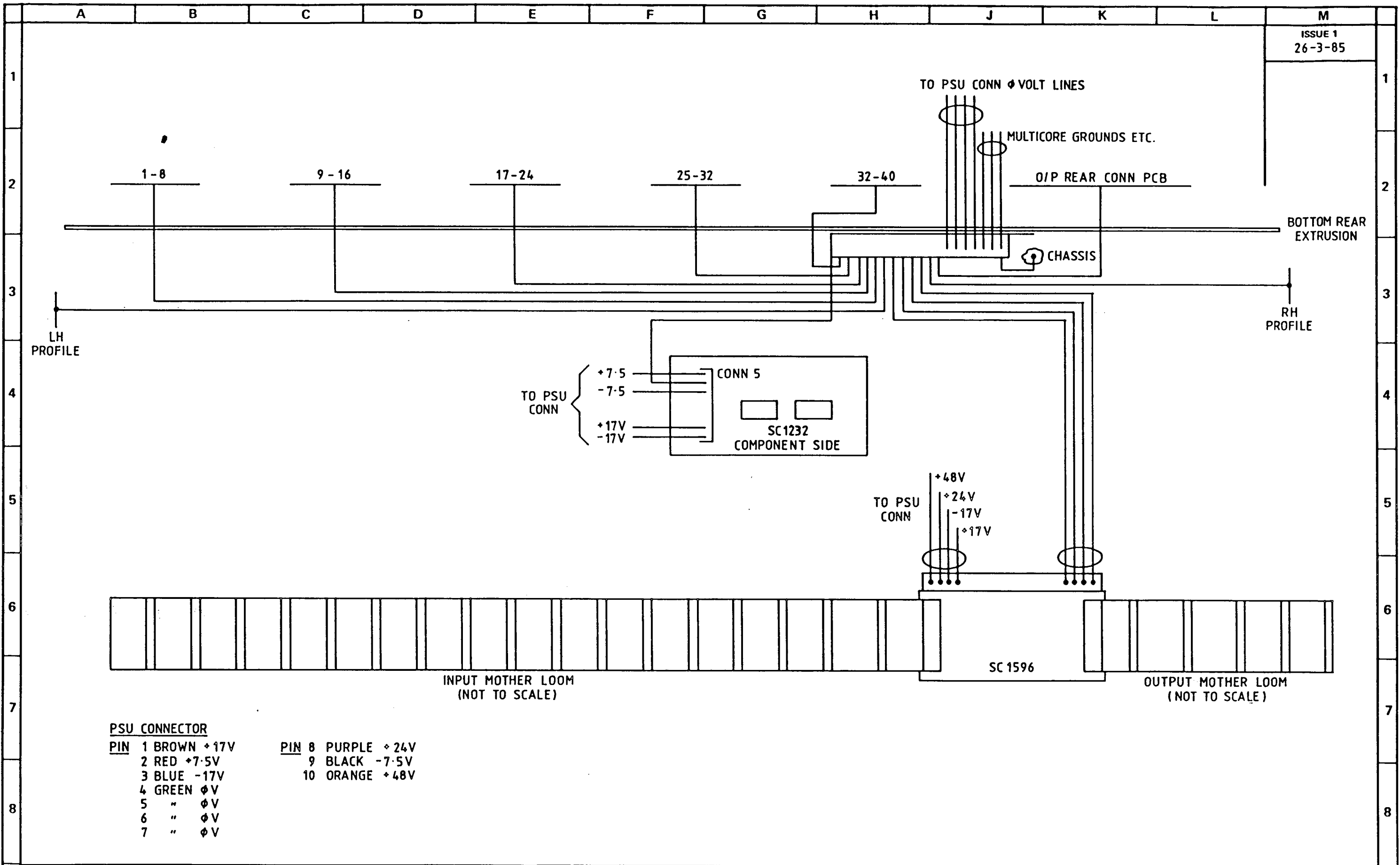
3.15 AMP ANTI-SURGE  
(6 AMP ANTI-SURGE FOR 110V MAINS)



TRANSISTORS	
TR1 & TR2	= PNP 2SA970 GR
TR3, 4, 7	= NPN 2SC2240 BL
TR5	= NPN BD135
TR6	= NPN 2N3055
RECTIFIERS	
REC1, REC2 & REC3	= KBP02
REC4	= KBP02



VIEWED FROM SOLDER PINS OF SRC CONNECTOR

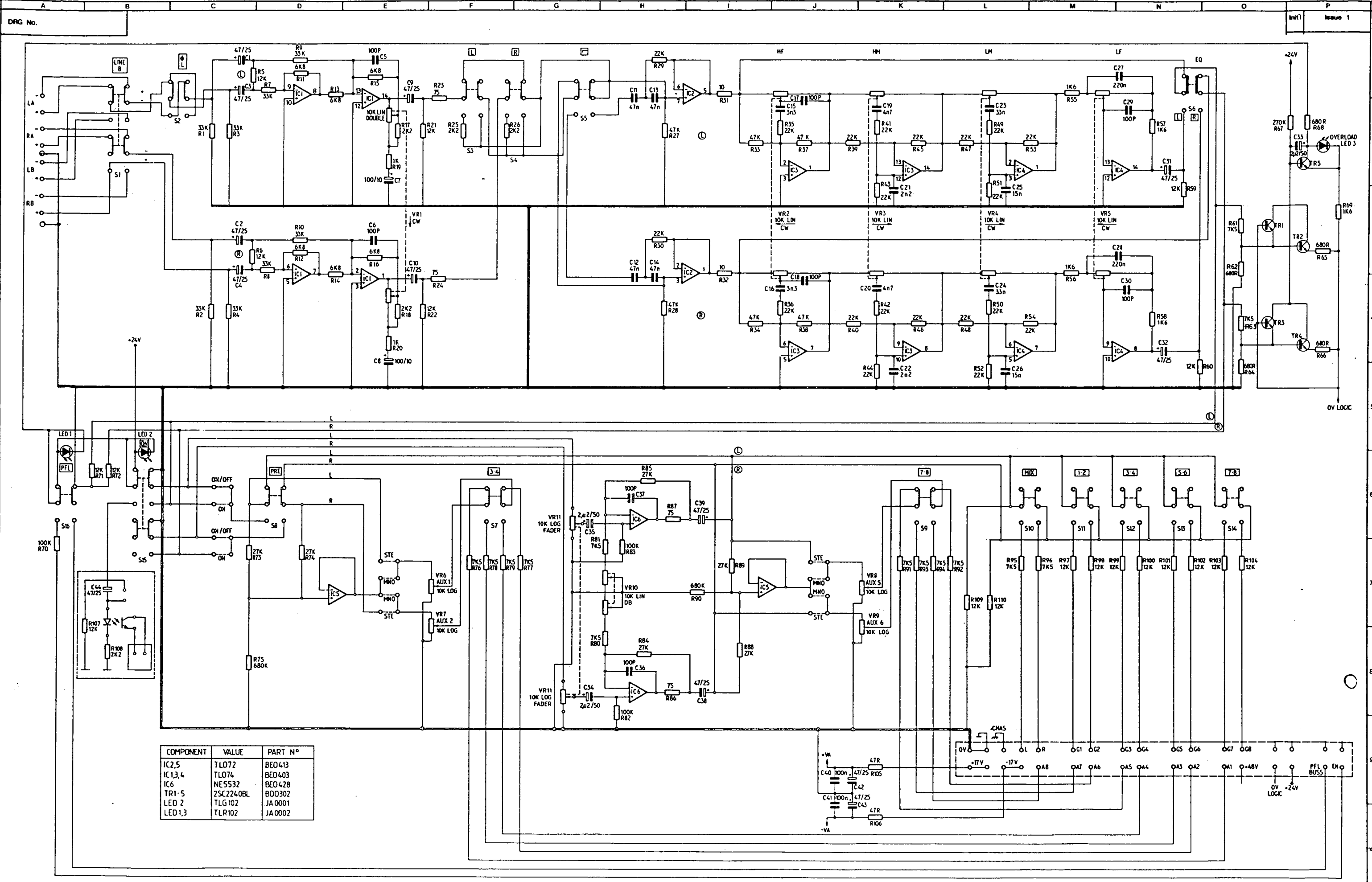


ISSUE 1  
26-3-85

**PSU CONNECTOR**

- |                  |                   |
|------------------|-------------------|
| PIN 1 BROWN +17V | PIN 8 PURPLE +24V |
| 2 RED +7.5V      | 9 BLACK -7.5V     |
| 3 BLUE -17V      | 10 ORANGE +48V    |
| 4 GREEN φV       |                   |
| 5 " φV           |                   |
| 6 " φV           |                   |
| 7 " φV           |                   |

<p>THIRD ANGLE PROJECTION</p>	<p>TOLERANCE</p> <p>All Imperial dimensions ± 0.010 All metric dimensions ± 0.25mm All angles ± 0.50° Unless otherwise stated</p>	<p>HOLE INDEX</p>	MATL	DRN	<p>SOUNDCRAFT ELECTRONICS LTD 6-8 GREAT SUTTON STREET LONDON EC1V 0BX. TELEPHONE. 01-251-3631/2/3 TELEGRAMS. SOUNDCRAFT LDN EC1 TELEX. UK. No. 21198. USA. No. 224408</p>	TITLE
			FINISH	TRCD		<p>S800B CONSOLE WIRING DIAGRAM</p>
			SCALE	CHKD		

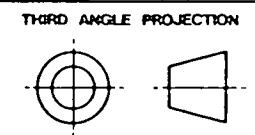


COMPONENT	VALUE	PART N°
IC2,5	TL072	BE0413
IC1,3,4	TL074	BE0403
IC6	NE5532	BE0428
TR1-5	2SC2240BL	BO0302
LED 2	TLG102	JA0001
LED1,3	TLR102	JA0002

NOTES.  
Resistors in ohms  
Capacitors in micro farads  
Unless otherwise stated

HOLE INDEX.

TOLERANCE.  
All imperial dimensions  $\pm 0.010$   
All metric dimensions  $\pm 0.25\text{mm}$   
All angles  $\pm 0.50^\circ$   
Unless otherwise stated.

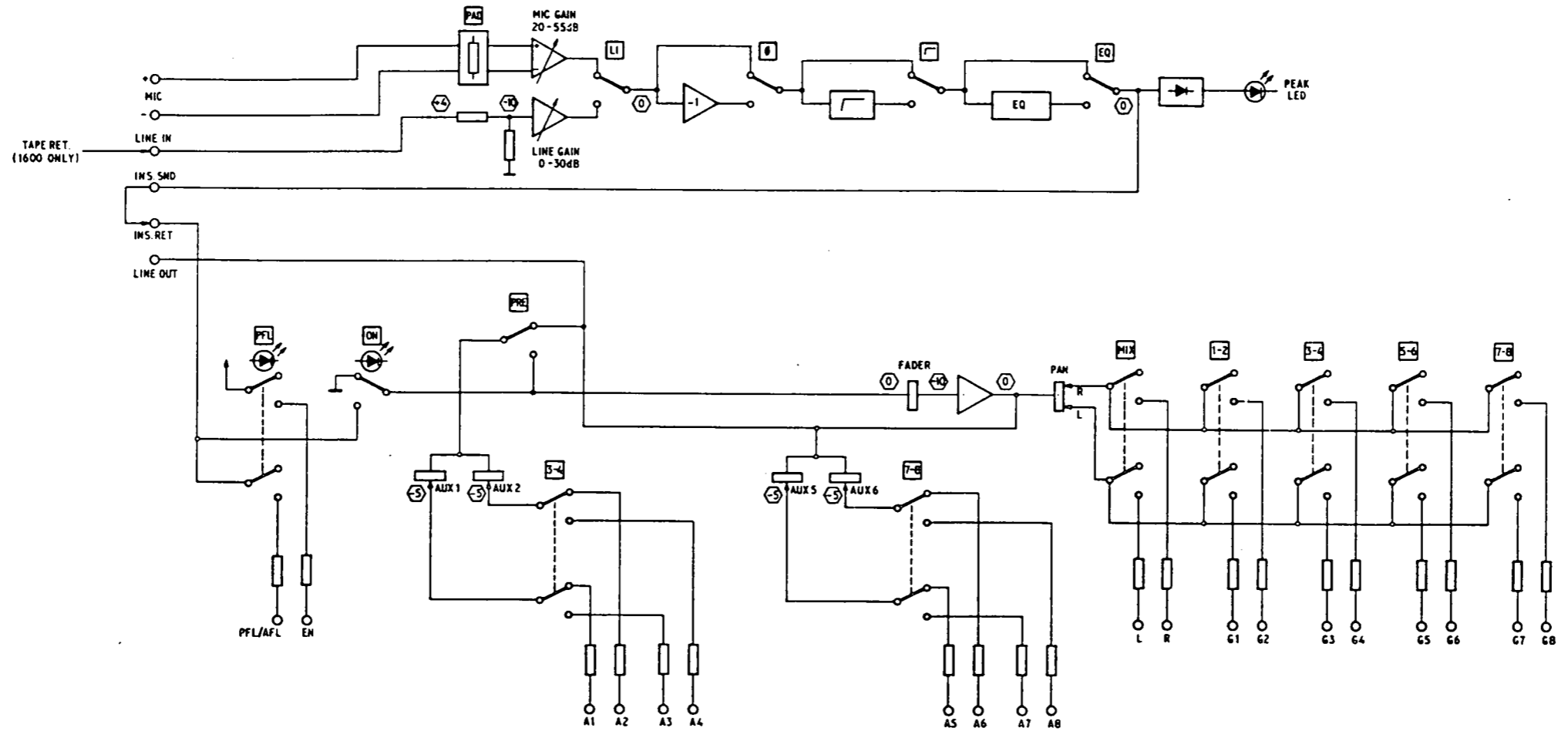


MATL.  
FINISH.  
SCALE.

DRG. SOUND CRAFT ELECTRONICS LTD.  
5-8 GREAT SUTTON STREET  
LONDON, EC TV. OBX.  
TELEPHONE. 01-251-3631/2/3  
TELEGRAMS. SOUND CRAFT LONDON, EC1  
TELEX. UK No. 21198. USA No. 01-2203

TITLE. S800B  
STEREO LINE  
INPUT MODULE  
DRG No. ED 2146

Soundcraft Electronics Limited  
own the copyright of this drawing  
which is not to be copied, reproduced  
or disclosed, in part or whole, to a  
third party without written permission.



Soundcraft Electronics Limited  
own the copyright of this drawing  
which is not to be copied, reproduced  
or disclosed, in part or whole, to a  
third party without written permission.

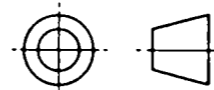
NOTES.

HOLE INDEX.

TOLERANCE.

All imperial dimensions  $\pm 0.010$   
All metric dimensions  $\pm 0.25\text{mm}$   
All angles  $\pm 0.50^\circ$   
Unless otherwise stated.

THIRD ANGLE PROJECTION



MATL.

FINISH.

SCALE.

DRG.  
Mark

TRCD.

CHKD.  
C.F.C.

SOUNDCRAFT ELECTRONICS LTD.  
5-8 GREAT BUTTON STREET  
LONDON, E.C.1V. 0BX.  
TELEPHONE. 01-251-3631/2/3  
TELEGRAMS. SOUNDCRAFT LDN. EC1  
TELEX. UK No. 21198. USA No. 01-2203

TITLE 8011  
STANDARD INPUT  
BLOCK DIAGRAM

DRG No. MI 2250