

# **TRACE ELLIOT**

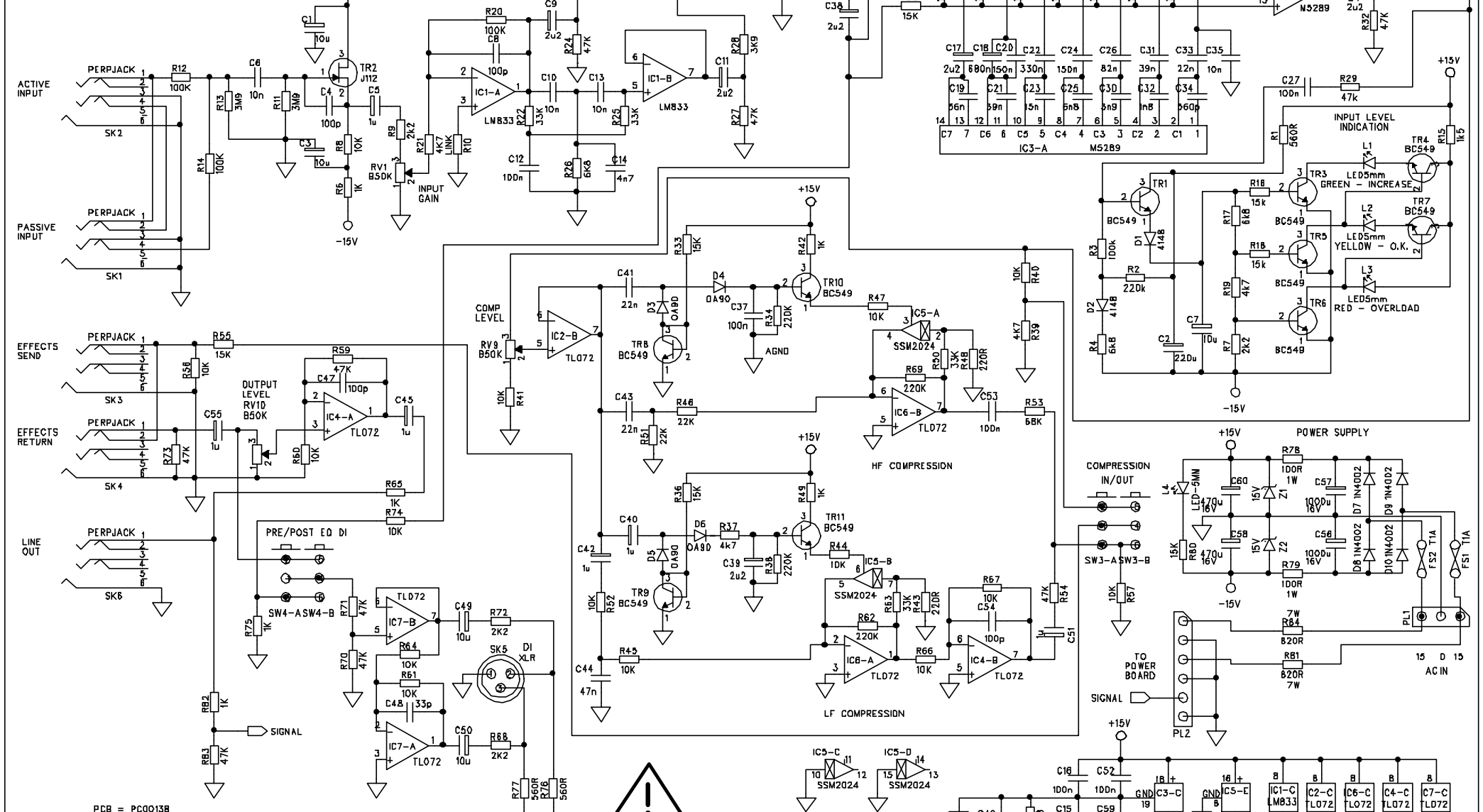
## **SERVICE MANUAL**

**DATE :** December 29, 1999  
**Product Code:** T0432/T0477/T0506  
**Model Number :** GP7 150 WATT 7 band series

Issued by:  
**Trace Elliot Limited**  
**Blackwater Trading Estate**  
**The Causeway**  
**Maldon**  
**Essex**  
**England**  
**CM4 4GG**

ISSUE CHANGE NOTE DATE	ISSUE CHANGE NOTE DATE	ISSUE CHANGE NOTE DATE
ISSUE CHANGE NOTE DATE	ISSUE CHANGE NOTE DATE	ISSUE CHANGE NOTE DATE

ISSUE CHANGE NOTE DATE	ISSUE CHANGE NOTE DATE	ISSUE CHANGE NOTE DATE
ISSUE CHANGE NOTE DATE	ISSUE CHANGE NOTE DATE	ISSUE CHANGE NOTE DATE



PCB = PC0013B

TITLE: GP7 BASS PREAMPLIFIER  
 PROJECT: 1999 UPDATE  
 DRAWING No: C00007  
 ISSUE: 10  
 DATE: 18/11/99  
 DRAWN BY: CLIVE BUTTON

**TRACE ELLIOT**  
 TRACE ELLIOT LIMITED  
 WALDON ESSEX CM9 7XD  
 ENGLAND  
 TEL (01621) 851851  
 FAX (01621) 851932

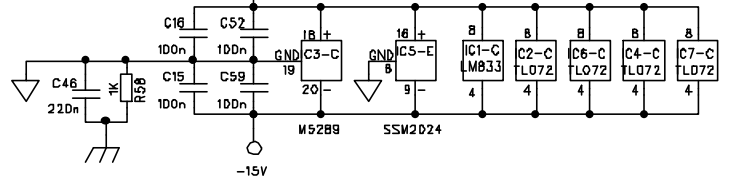
**!**

COMPONENTS USED ARE OF AN APPROVED TYPE AND MUST BE REPLACED ACCORDINGLY

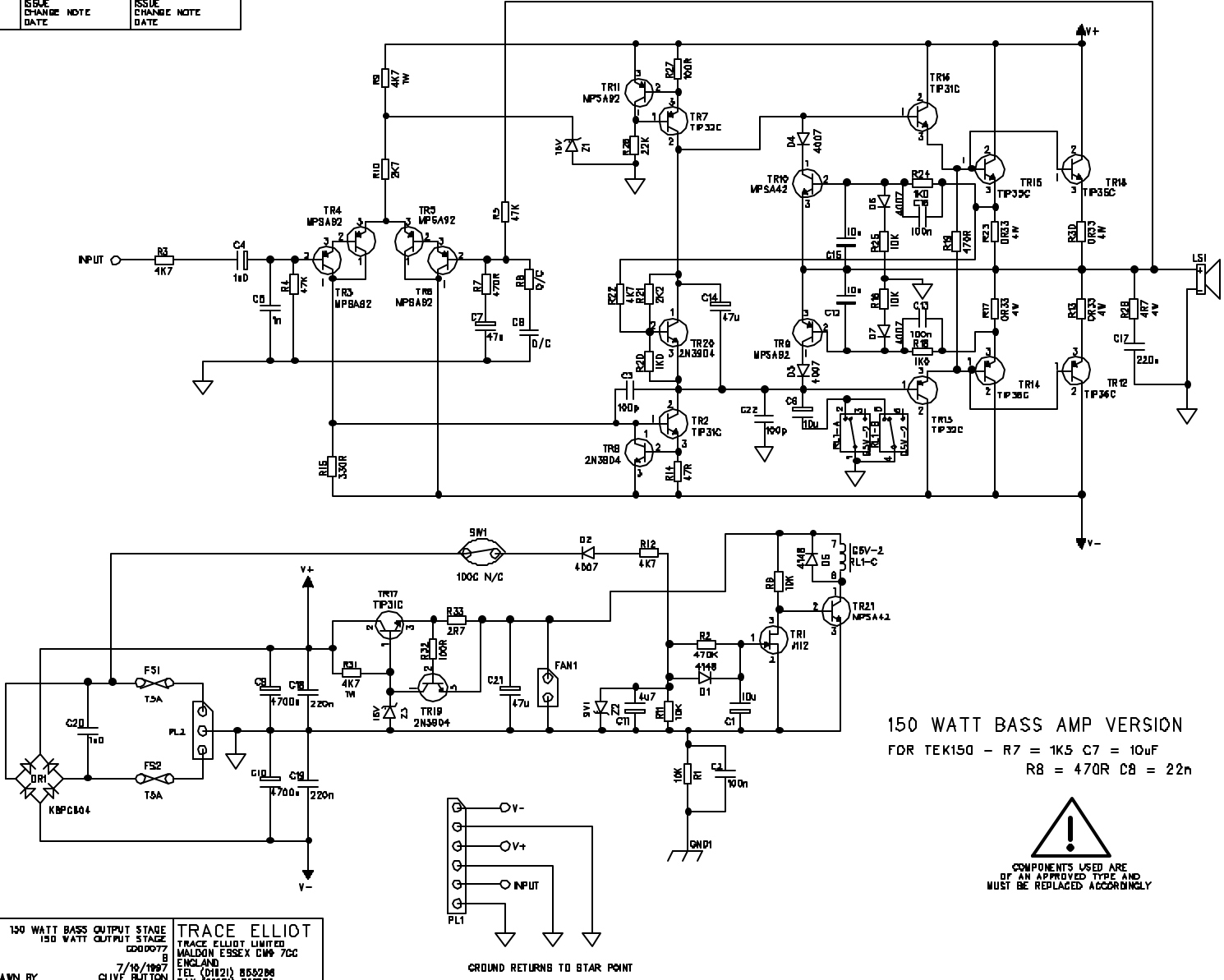
IC5-C 11  
 SSM2024

IC5-D 14  
 SSM2024

UNUSED GATES



ISSUE CHANGE NOTE DATE	ISSUE CHANGE NOTE DATE	ISSUE CHANGE NOTE DATE
ISSUE CHANGE NOTE DATE	ISSUE CHANGE NOTE DATE	ISSUE CHANGE NOTE DATE



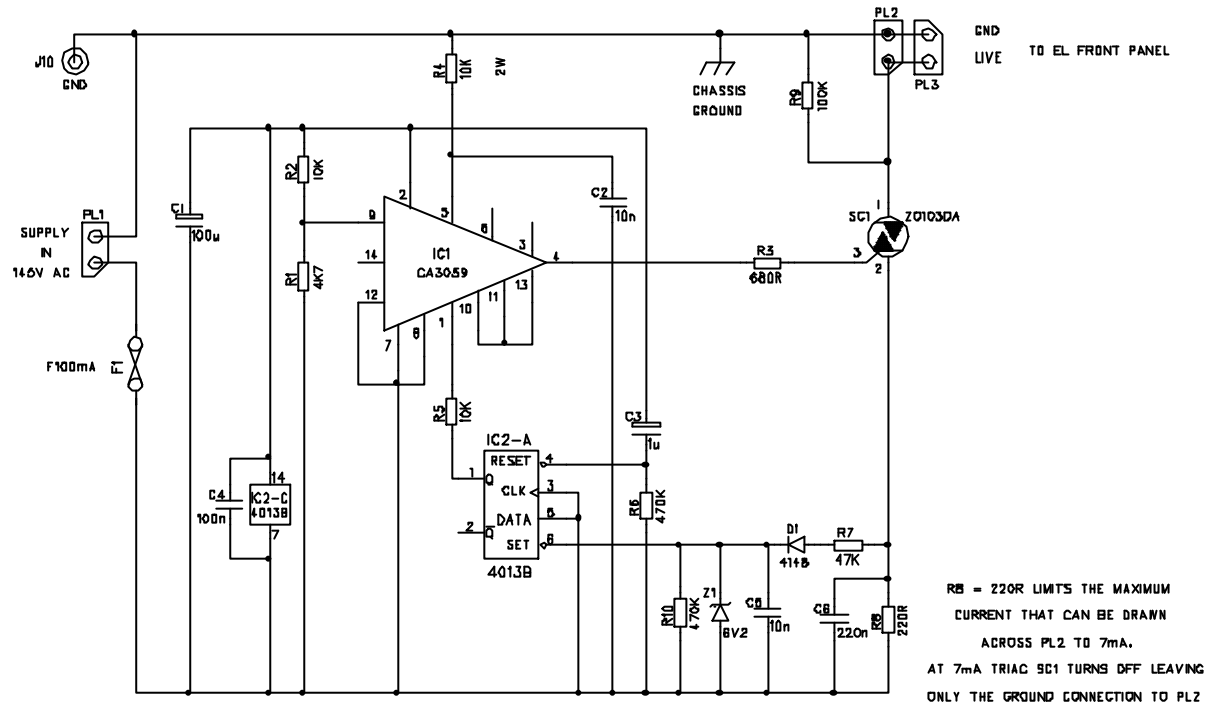
150 WATT BASS AMP VERSION  
 FOR TEK150 - R7 = 1K5 C7 = 10uF  
 R8 = 470R C8 = 22n



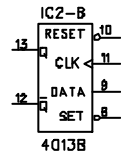
TITLE	150 WATT BASS OUTPUT STAGE	TRACE ELLIOT
PROJECT	150 WATT OUTPUT STAGE	TRACE ELLIOT LIMITED
DRAWING No	CD00077B	MALDON ESSEX CM9 7DC
ISSUE		ENGLAND
DATE	7/10/1997	TEL (0121) 853206
DESIGNED AND DRAWN BY	CLIVE BUTTON	FAX (02121) 851873

GROUND RETURNS TO STAR POINT

ISSUE CHANGE NOTE DATE	ISSUE CHANGE NOTE DATE	ISSUE CHANGE NOTE DATE
ISSUE CHANGE NOTE DATE	ISSUE CHANGE NOTE DATE	ISSUE CHANGE NOTE DATE



NOT USED



PCB = PC001B

TITLE EL PANEL AC CURRENT TRIP  
 PROJECT CP7/12 PRODUCT RANGE  
 DRAWING No C000123  
 ISSUE 2  
 DATE 18/11/99  
 DRAWN BY CLIVE BUTTON

**TRACE ELLIOT**  
 TRACE ELLIOT LIMITED  
 WALTON ESSEX CM9 7CC  
 ENGLAND  
 TEL (01821) 855288  
 FAX (01821) 851975

  
 COMPONENTS USED ARE  
 OF AN APPROVED TYPE AND  
 MUST BE REPLACED ACCORDINGLY

## C12-PC00138x3.

### PARTS INSERTION LIST FOR PC0070x7 – GP7 PRE-AMP FOR 7-BAND NOT SMC.

Clive Button – 22/11/99

Version 3

Part Name	Part Code	Qty	Reference
DIODE 1N4002	72-D-IN4002	4	D7-10
DIODE 1N4148	72-D-IN4148	2	D1-2
DIODE OA90	72-D-OA90-05	4	D3-6
ZENER 15V	72-D-BZX85C15	2	Z1-2
R1/4W,100K	72-RM100K	4	R3 R12 R14 R20
R1/4W,10K	72-RM10K	15	R8 R40-41 R44-45 R47 R52 R56-57 R60-61 R64 R66-67 R74
R1/4W,15K	72-RM15K	9	R16 R18 R23 R30-31 R33 R36 R55 R80
R1/4W,1K	72-RM1K	8	R5-6 R42 R49 R58 R65 R75 R82
R1/4W,1k5	72-RM1K5	1	R15
R1/4W,220K	72-RM220K	5	R2 R34 R38 R62 R69
R1/4W,220R	72-RM220R	2	R43 R48
R1/4W,22K	72-RM22K	2	R46 R51
R1/4W,2K2	72-RM2K2	4	R7 R9 R68 R72
R1/4W,33K	72-RM33K	5	R22 R25 R35 R50 R63
R1/4W,3K9	72-RM3K9	1	R28
R1/4W,3M9	72-RM3M9	2	R11 R13
R1/4W,47K	72-RM47K	10	R24 R27 R29 R32 R54 R59 R70-71 R73 R83
R1/4W,4K7	72-RM4K7	4	R19 R21 R37 R39
R1/4W,560R	72-RM560R	3	R1 R76-77
R1/4W,68K	72-RM68K	1	R53
R1/4W,6K8	72-RM6K8	3	R4 R17 R26
R1W,100R	72-RM100R-1WATT	2	R78-79
R7W,470R	72-RWW470R-7W	2	R81 R84 ONLY FOR 150 WATT UNIT
ZERO OHM LINK	72-RCZERO	31	POSITIONS SHOWN + R10
CAPCA,33p	72-C33P-100VCA	1	C48
CAPCA,100p	72-C100P-100VCA	4	C4 C8 C47 C54
CAPCA,220p	72-C220P-100VCA	1	C28
CAPCA,330p	72-C330P-100VCA	1	C36
CAPCA,100n	72-C100N-100VCA	8	C12 C15-16 C27 C37 C52- 53 C59
CAPCA,10n	72-C10N-100VCA	4	C6 C10 C13 C35
CAPCA,150n	72-C150N-100VCA	2	C20 C24

CAPCA,15n	72-C15N-100VCA	1	C23
CAPCA,1n8	72-C1N8-100VCA	1	C32
CAPCA,220n	72-C220N-50VCA	1	C46
CAPCA,22n	72-C22N-100VCA	3	C33 C41 C43
CAPCA,330n	72-C330N-50VCA	1	C22
CAPCA,39n	72-C39N-100VCA	2	C21 C31
CAPCA,3n9	72-C3N9-100VCA	1	C30
CAPCA,47n	72-C47N-100VCA	1	C44
CAPCA,4n7	72-C4N7-100VCA	1	C14
CAPCA,560p	72-C560P-100VCA	1	C34
CAPCA,56n	72-C56N-100VCA	1	C19
CAPCA,6n8	72-C6N8-100VCA	1	C25
CAPCA,82n	72-C82N-100VCA	1	C26
CAPTANT,1u	72-C1-35VT	6	C5 C40 C42 C45 C51 C55
CAPTANT,2u2	72-C2.2-35VT	6	C9 C11 C17 C29 C38-39
CAPTANT,680n	72-C0.68-35VT	1	C18
CAPE1,10u	72-C10-63VER	5	C1 C3 C7 C49-50
PCBFUSE,T1A	72-FUS-1A-PCB	2	FS1-2
BC549	72-TBC549C	10	TR1 TR3-11
J112	72-FET-J-112	1	TR2
M5289	72-IC-M5289P	1	IC3
SSM2024	72-IC-SSM2024	1	IC5
TL072	72-IC-TL072	4	IC2 IC4 IC6-7
LM833	72-IC-LM833	1	IC1
CON03	72-HEAD-3W-2	1	PL1
CON06	72-HEAD-6W-2	1	PL2
CAPE3,220u	72-C220-35VER	1	C2
CAPE3,470u	72-C470-16VER	2	C58 C60
CAPE3,1000u	72-C1000-25VER	2	C56-57
PCB FIXING	73-TERM-SCREW-M3	1	
PERPJACK	72-SKT-JCK-PERP-2	5	SK1-4 SK6 NEW TW JACK
LED5MM RED	72-LED-RED	2	L3 LED2
LED5MM GREEN	72-LED-GREEN	1	L1
LED5MM AMBER	72-LED-YELLOW	1	L2
SPACER FOR LED 20MM	71-SPA-20MM	4	
POTSINGLEVERT B50K	73-POT-B50K-41	3	RV1 RV9-10
SLIDER30MM,B100K	73-SLIDER-30MM-2	7	RV2-8
SWPUSHDPT	73-SWT-PUSH	4	SW1-4
XLR VERT MALE	73-XLR-PCB-V-M	1	SK5

N.B. A modification is required on these boards:- Cut the track leading to the lower end of R29 and reconnect the bottom end of R29 with a wire link to the centre contact of the switch below it. We have 500 PCBs in stock unfortunately, then we will go to PC00138 issue2.

# GP7

C12-PC00118-7x2.

**PARTS INSERTION LIST FOR PC00118 ISSUE 2  
GP7 EL PANEL AC SUPPLY CURRENT LIMITER PCB  
CLIVE BUTTON – 18/11/99 –  
ANDY EWEN-28/01/00 Fuse code amended.**

Part Name	Part Code	Qty	Reference
DIODE 1N4148	72-D-IN4148	1	D1
ZENER1,6V2	72-D-BZX55C6V2	1	Z1
R1/4W,100K	72-RM100K	1	R9
R1/4W,10K	72-RM10K	2	R2 R5
R1/4W,680R	72-RM680R	1	R3
R1/4W,150R	72-RM150R	1	R8
R1/4W,470K	72-RM470K	2	R6 R10
R1/4W,47K	72-RM47K	1	R7
R1/4W,4K7	72-RM4K7	1	R1
R2.5W,10K	72-RWW10K-2.5W	1	R4
4013B	72-IC-4013B	1	IC2
CA3059	72-IC-CA3059	1	IC1
TRIAC,Z0103DA	72-TRIAC-Z0103DA	1	SC1
CAPP1,100n 100V	72-C100N-100VP	1	C4
CAPP1,10n 100V	72-C10N-100VP	2	C2 C5
CAPP1,220n 100V	72-C220N-100VP	1	C6
CAPTANT,1u 35V	72-C1-35VT	1	C3
0.1" 2 WAY HEADER	72-HEAD-2W	1	PL1
CONNECTION TO FRONT PANEL FOR GP7	72-HEAD-2W	1	PL3
0.1" 2 WAY HEADER			
PCBFUSECLIP	72-FUS-HLD-PCB-4	2	F1
20MM FUSE F100mA	72-FUS-100MA-20	1	F1
CAPE2,100u 16V	72-C100-16VER	1	C1
	NOT USED		PL2

# ISSUE 2 PARTS LIST FOR PC00077x1 CB 22/11/1997

Qty	Part Code	Value	Reference							
<b>Axial Capacitors</b>										
10	72-C100N-100VCA	100n	C5 C39	C10 C40	C11 C41	C13	C16	C22	C25	
5	72-C10N-100VCA	10n	C30	C32	C35	C42	C48			
2	72-C1N-100VCA	1n0	C27	C15						
2	72-C330N-50VCA	330n	C43	C34						
1	72-C330P-100VCA	330p	C9							
9	72-C33P-100VCA	33p	C6 C38	C19 C44	C20	C7	C29	C33	C36	
3	72-C4N7-100VCA	4n7	C14	C28	C45					
2	72-C560P-100VCA	560p	C12	C26						
<b>Axial Diodes</b>										
1	72-D-BZX85C4V7	4V7	Z1							
<b>Axial Resistors</b>										
25	72-RM100K	100K	R1 R12 R32 R57	R2 R19 R33 R58	R3 R25 R34 R59	R4 R40 R42 R63	R9	R10 R27 R46	R11 R28 R55	
8	72-RM10K	10K	R7 R60	R15	R44	R45	R48	R51	R52	
1	72-RM120K	120K	R54							
4	72-RM15K	15K	R16	R6	R8	R14				
2	72-RM1K	1K0	R23	R49						
3	72-RM1M	1M0	R21	R24	R47					
2	72-RM220R	220R	R62	R64						
4	72-RM2K2	2K2	R30	R31	R37	R38				
2	72-RM22K	22K	R5	R13						
2	72-RM-220K	220K	R17	R41						
1	72-RM2K7	2K7	R20							
2	72-RM330K	330K	R18	R43						
1	72-RM47R	47R	R61							
1	72-RM470K	470K	R53							
4	72-RM47K	47K	R35	R36	R39	R56				
2	72-RM82K	82K	R22	R50						
<b>Non Axial Components</b>										
6	72-C100-16VER	100u	C1	C2	C3	C4	C23	C24		
1	72-C1-35VT	1u0	C31							
1	72-C10-63VER	10u	C50							
2	72-C4.7-35VT	4u7	C8	C21						
2	72-C470N-63VP	470n	C17	C18						
4	72-C47-63VER	47u	C37	C46	C47	C49				
2	72-FET-J-175	J175	TR1	TR2						
1	72-HEAD-15W		PL1							
1	72-HEAD-8W-2		PL2							
7	72-IC-RC4558P	RC4558P	IC3	IC4	IC5	IC6	IC8	IC9	IC10	
1	72-IC-74LS629N	74LS629	IC1							
1	72-SOCKET-24W		IC2							
1	72-IC-M50198P	M50198P	IC2 (FIT INTO 24 PIN DIL SOCKET)							



1	72-IC-TL074	TL074	IC7
3	72-LED-RED-3MM		LED1 LED2 LED3 (FIT OVER EDGE OF PCB)
<b>Second Stage Components</b>			
1	SEE DRAWING	REVERB	SP1 (1.5m LEADS, SOLDERED INTO PCB)
3	72-SKT-JCKBNBS		SK1 SK2 SK3
3	73-POT-50K-DG	B50K	RV1 RV4 RV5
2	73-POT-50KB	B50K	RV2 RV3
1	73-SWT-F2UEE	DPCO	SW1 (FIT UNDERNEATH PCB)
1	73-PCB-PC00077x1		