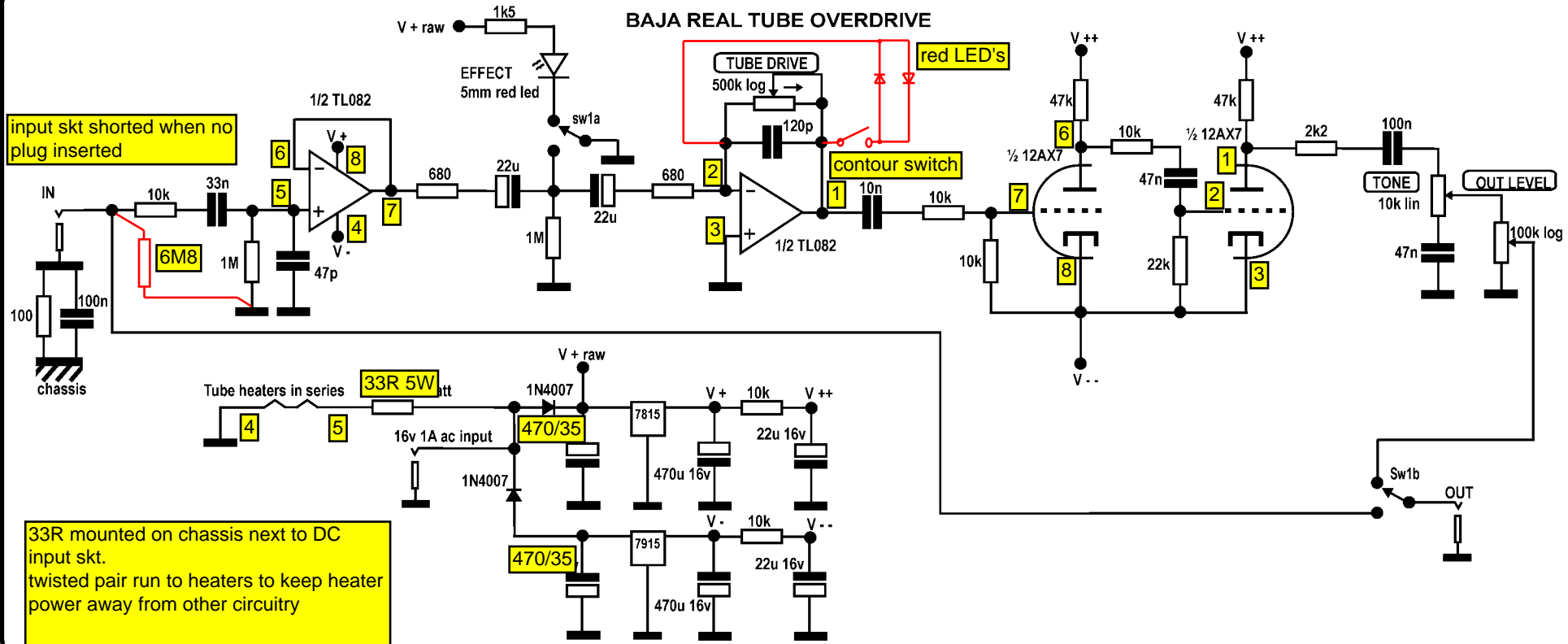


# BAJA REAL TUBE OVERDRIVE

input skt shorted when no plug inserted



33R mounted on chassis next to DC input skt. twisted pair run to heaters to keep heater power away from other circuitry

Sw1b  
OUT