

6

5

4

3

2

1

REVISION RECORD			
LTR	ECO NO:	APPROVED:	DATE:

D

D

C

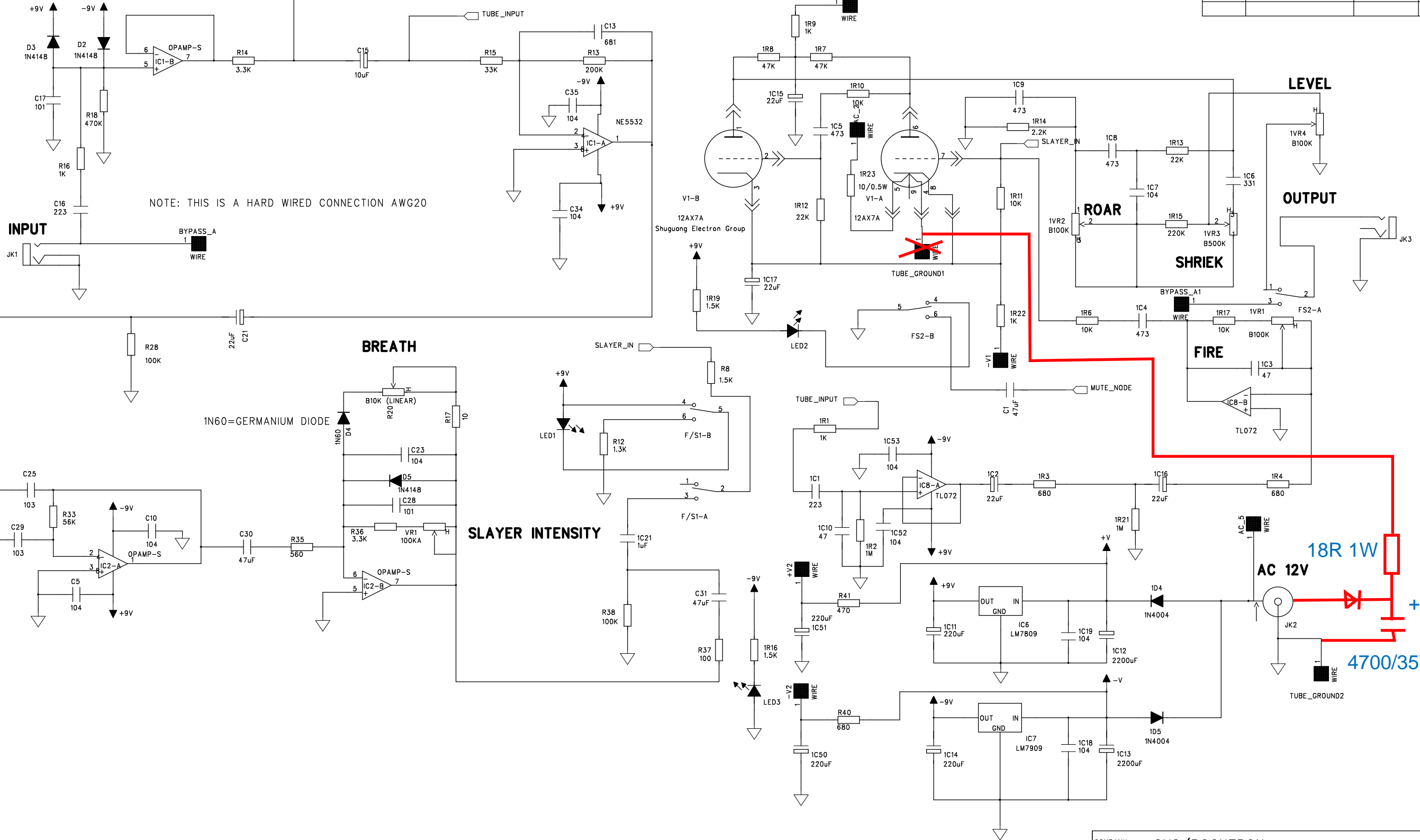
C

B

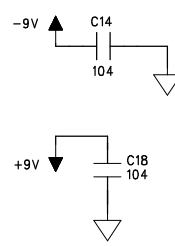
B

A

A



NOTE: THIS IS A HARD WIRED CONNECTION AWG20



REVISION NOTES:  
FIXED FLOATING PIN 3 OF IC1A

DRAWN:	DATED:
CHECKED: BP	DATED: 12-10-2003
QUALITY CONTROL:	DATED:
RELEASED:	DATED:

COMPANY: GHS/ROCKTRON			
TITLE: SILVER DRAGON			
CODE:	SIZE:	DRAWING NO:	REV: 3.00
SCALE:			SHEET: OF