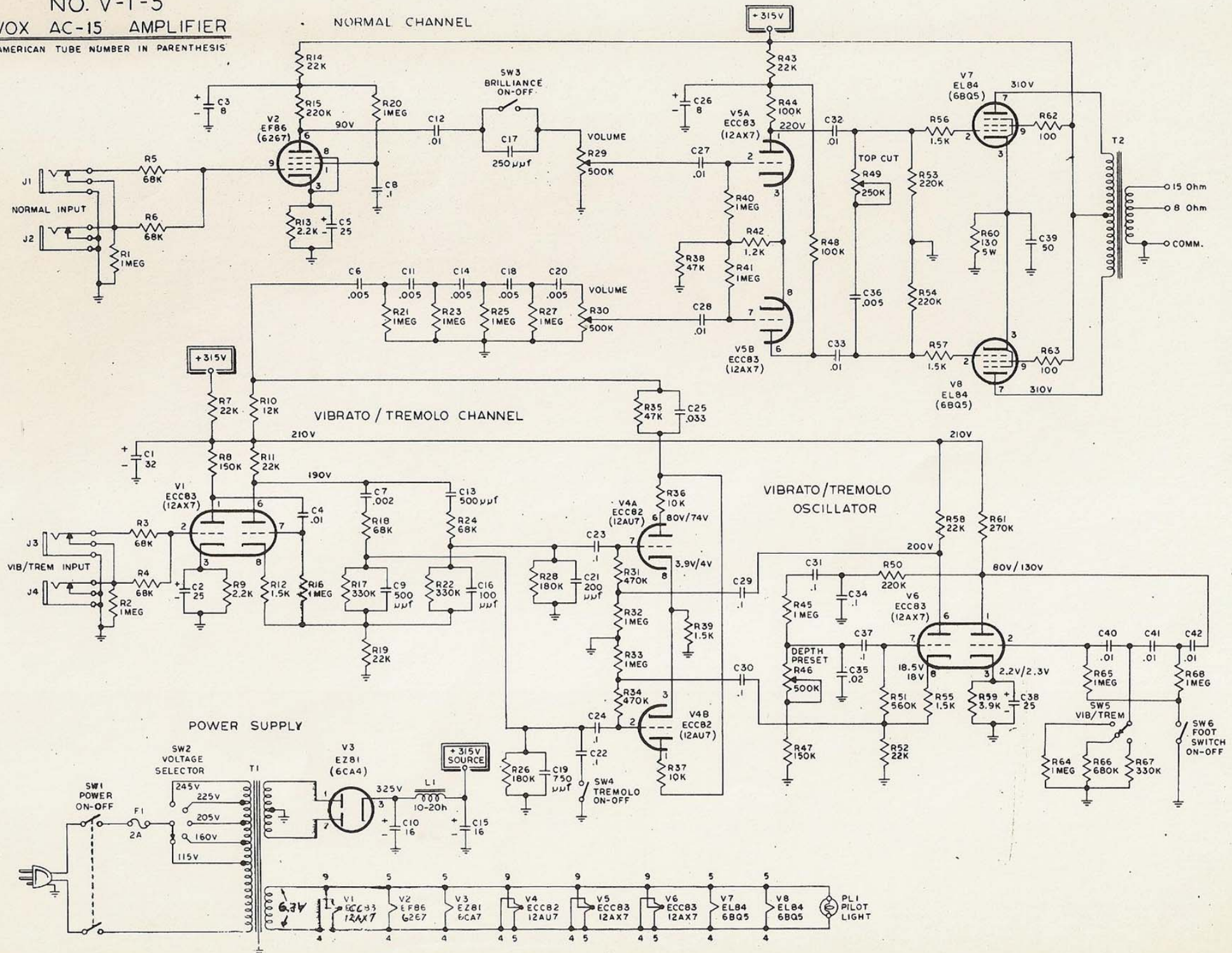


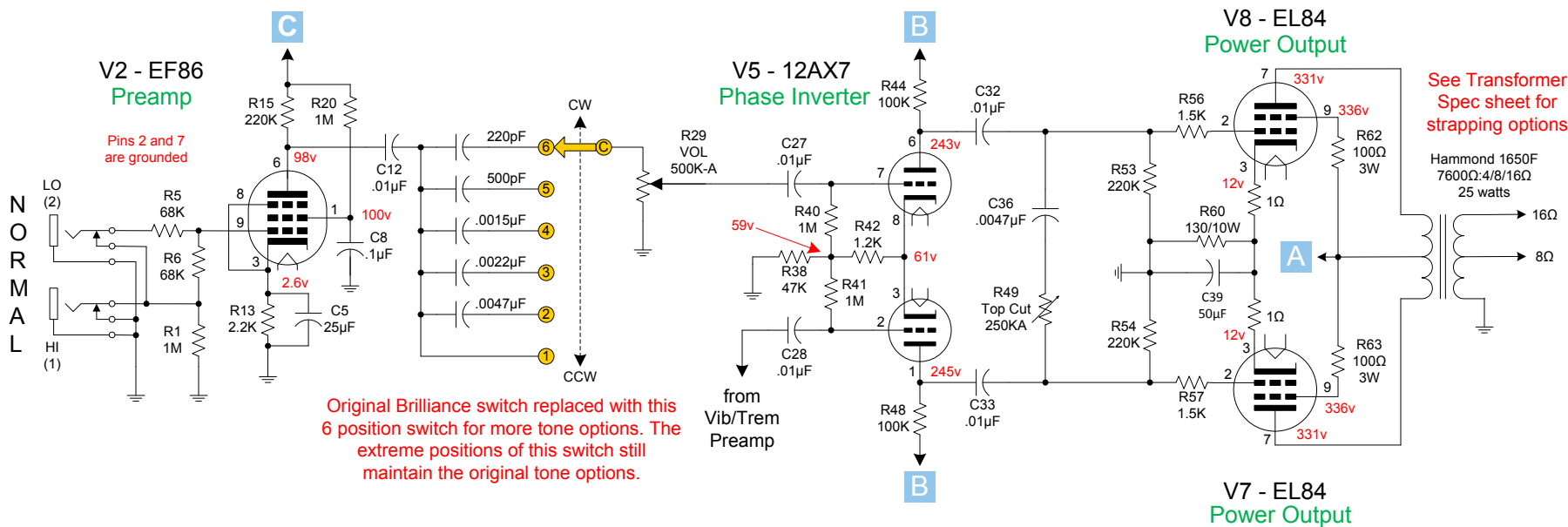
# VOX

## NO. V-1-5

### VOX AC-15 AMPLIFIER

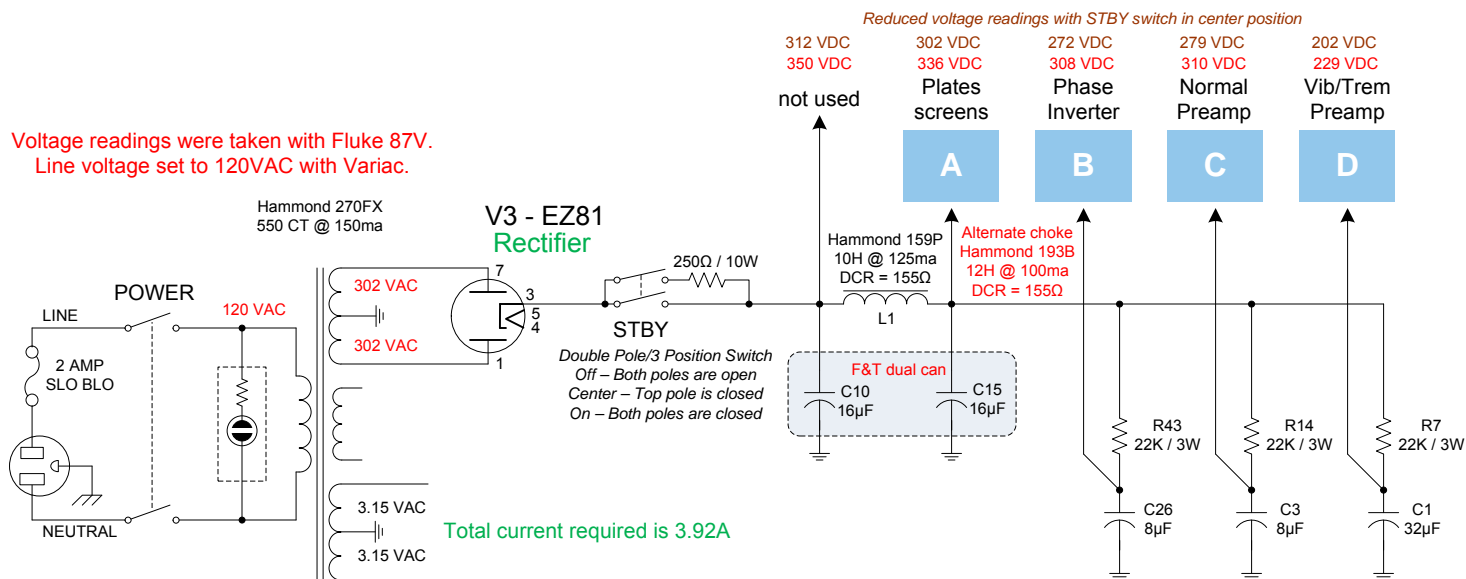
AMERICAN TUBE NUMBER IN PARENTHESIS

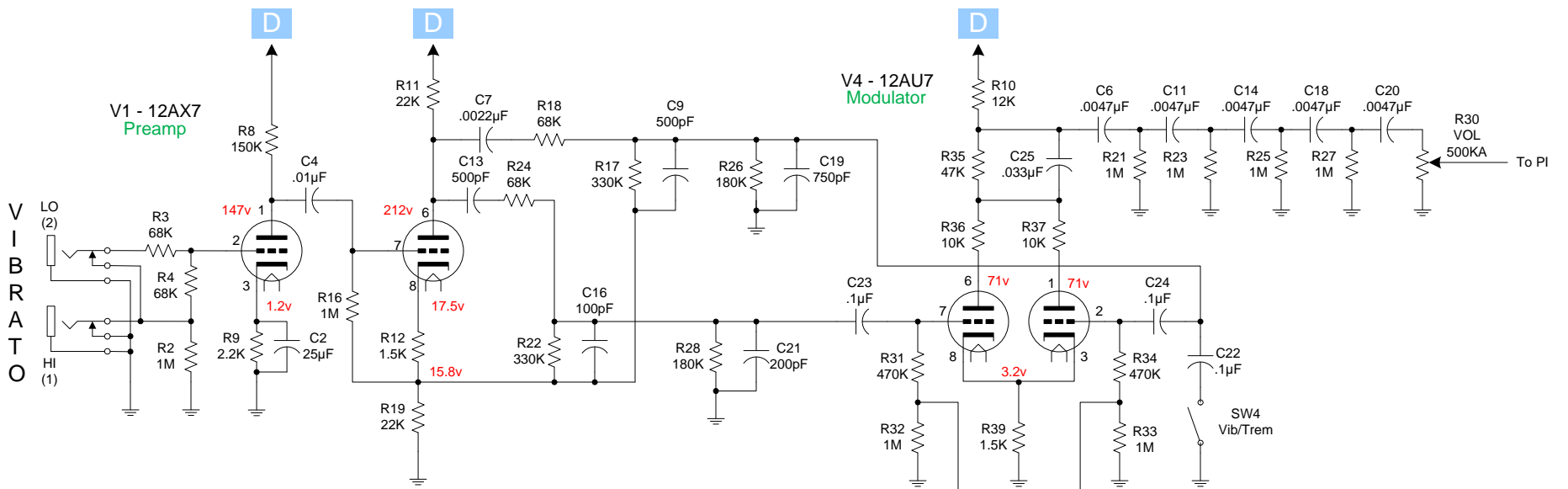




Original Brilliance switch replaced with this 6 position switch for more tone options. The extreme positions of this switch still maintain the original tone options.

Voltage readings were taken with Fluke 87V.  
Line voltage set to 120VAC with Variac.



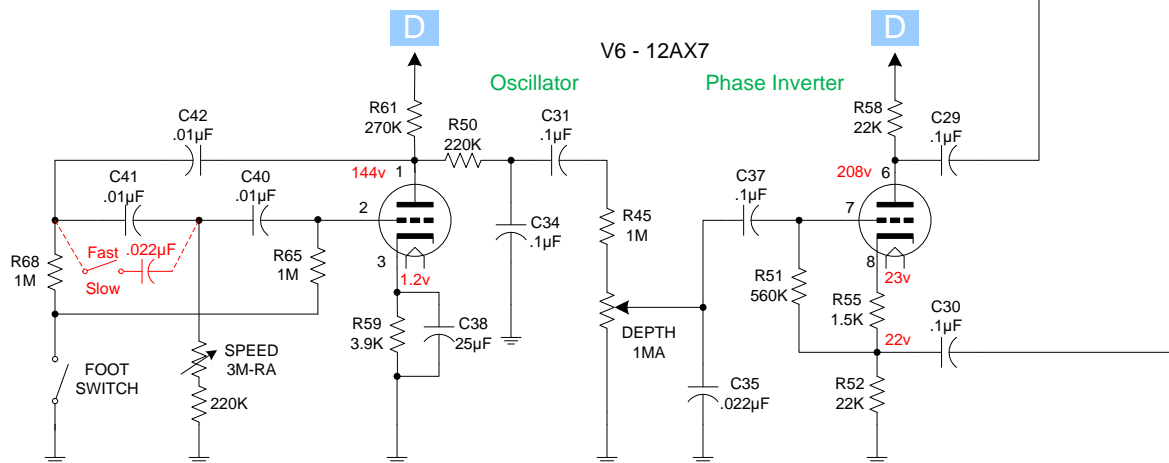


NOTE 1: Oscillator voltages taken with oscillator disabled.

NOTE 2: Speed switch, R64, R66, and R67 replaced with 3M-RA pot and 220K. (See original schematic)

NOTE 3: Depth Preset and R47 replaced with front panel Depth pot. (See original schematic)

NOTE 4: Fast/Slow switch can be a push/pull switch on the DEPTH control.





⊕ Turret --- drill size is 3/32"

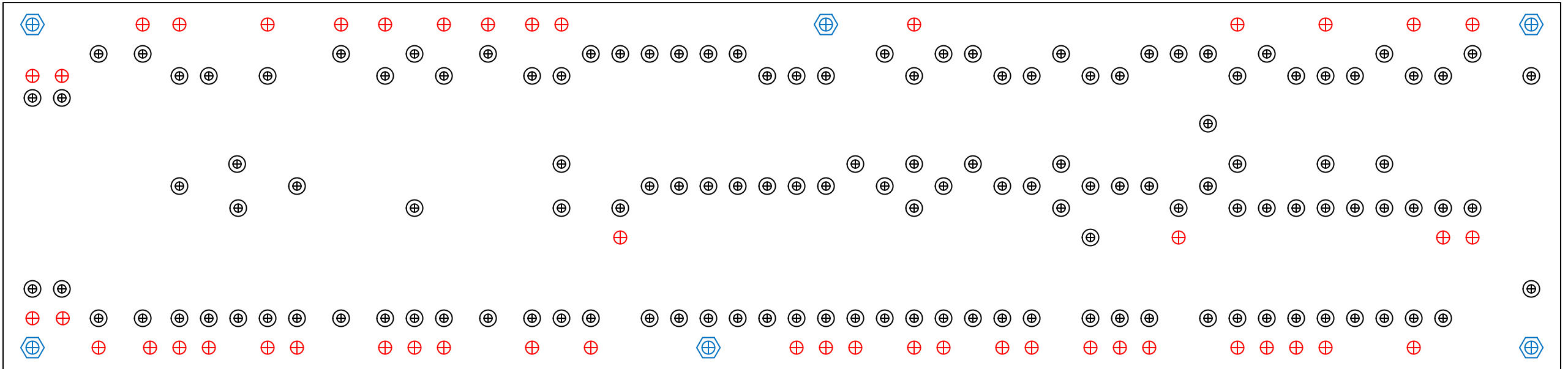
⊕ Standoff – drill size to fit

⊕ Hole for wire pass thru – drill size to fit

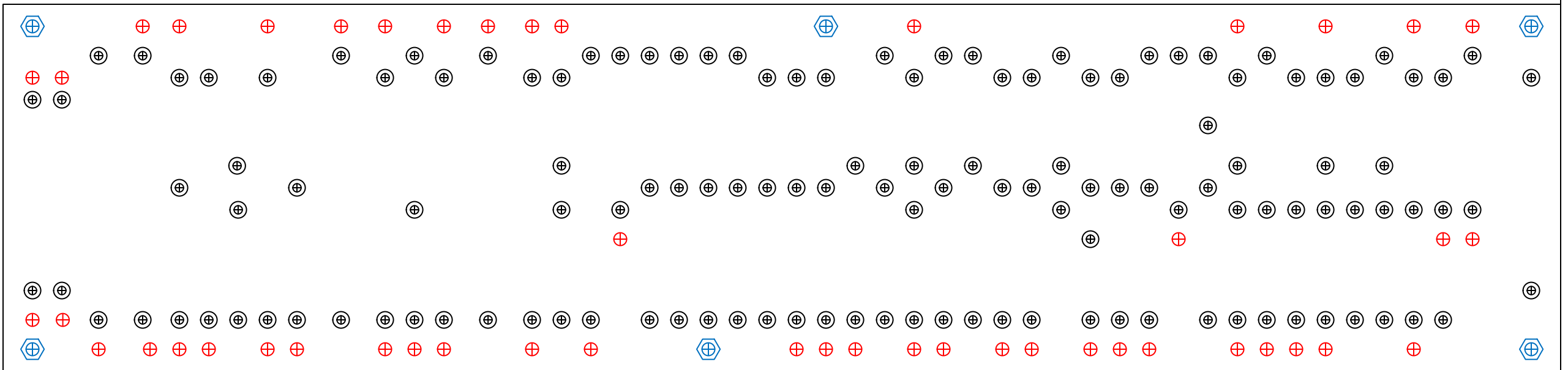
----- Dashed lines are underboard jumpers

### INSTRUCTIONS

Board size is 3 1/8" X 13 1/4". Print this drill guide FULL SIZE on 8 1/2" X 14" paper. Measure the board length of the printout to verify it is 13 1/4". Attach to blank board using double sided carpet tape. Use a center punch to put a mark at the cross hairs of each turret, standoff, and hole. Use a 3/32" drill bit to drill all holes. Then enlarge holes as needed for standoffs and wire pass thru.

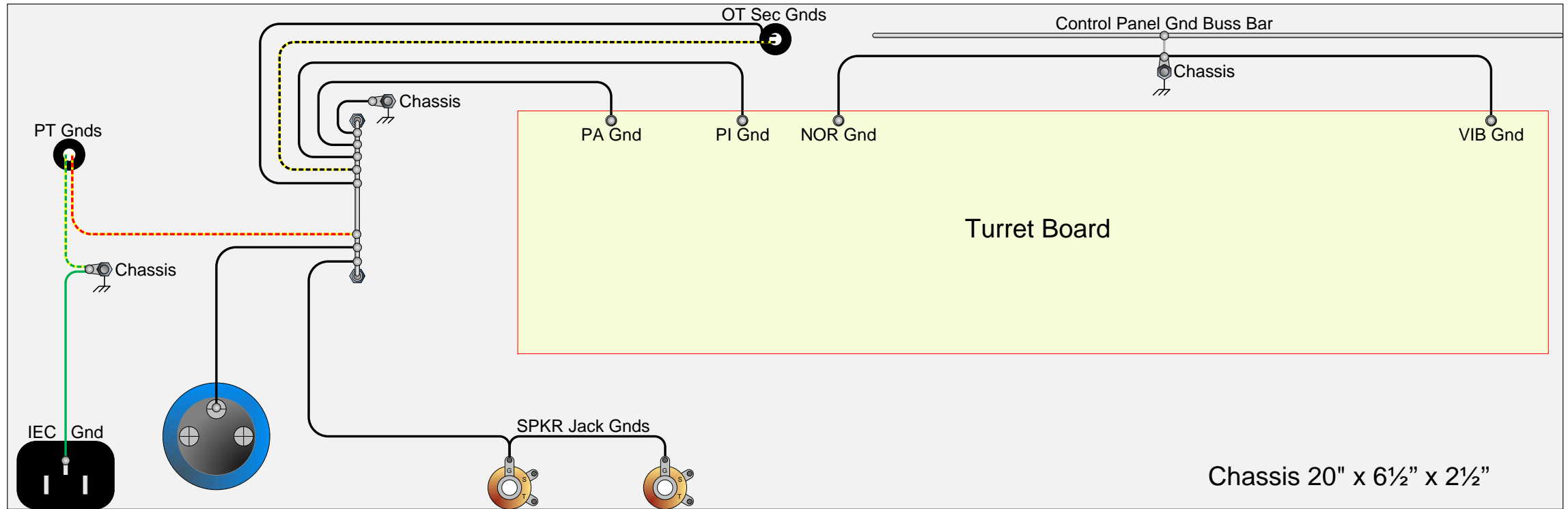


13.25

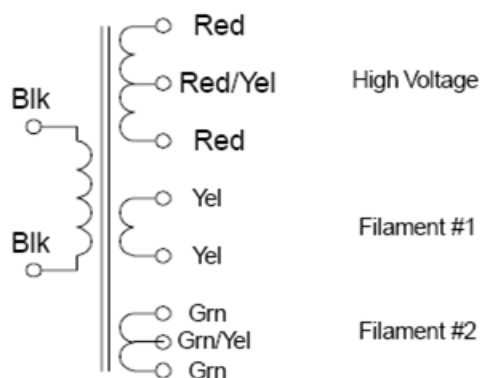




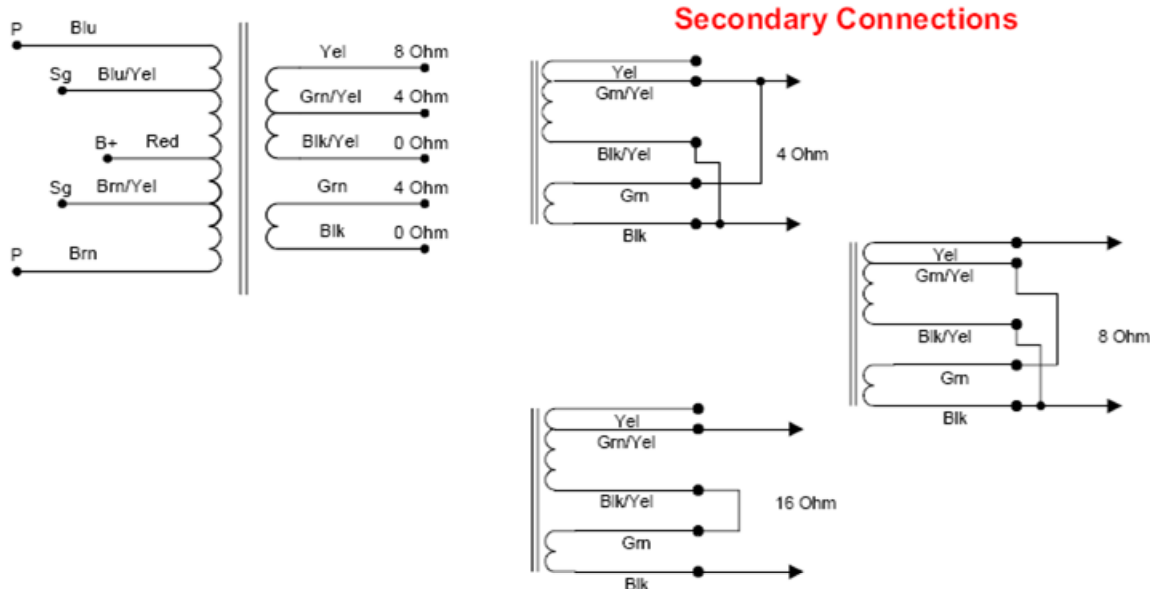
# Ground Scheme



| Cat. No.     | VA  | Primary |    | Secondary |          | Filament #1 (VAC) | Filament #2 (VAC) | Dim. Ref. |
|--------------|-----|---------|----|-----------|----------|-------------------|-------------------|-----------|
|              |     | VAC     | Hz | (R.M.S.)  | DC (ma.) |                   |                   |           |
| <b>270FX</b> | 138 | 115     | 60 | 275-0-275 | 150      | 5V @ 3A           | 6.3V @ 5A ct      | X10       |



| Cat. No.     | Audio Watts | Primary Impedance | Secondary Impedance | Wt. Lbs. |
|--------------|-------------|-------------------|---------------------|----------|
| <b>1650F</b> | 25          | 7,600 ct          | 4-8-16              | 4        |



| Part Number | Style    | Inductance (Henrys) | D.C. Current (ma.) | Resistance (Ohms) | Maximum Operating (Volts D.C.) | Weight (lbs.) | Dimension Ref. |
|-------------|----------|---------------------|--------------------|-------------------|--------------------------------|---------------|----------------|
| <b>193T</b> | Enclosed | 0.05H               | 2000               | 0.7               | 300                            | 2.5           | X6             |
| <b>193U</b> | Enclosed | 0.2H                | 2000               | 1.7               | 300                            | 6.0           | X12            |
| <b>193V</b> | Enclosed | 0.15H               | 3000               | 1.0               | 300                            | 9.0           | X14            |
| <b>193B</b> | Enclosed | 12H                 | 100                | 155               | 600                            | 2.5           | X6             |
| <b>193C</b> | Enclosed | 20H                 | 100                | 181               | 600                            | 3.25          | X8             |



## Vox AC-15 Small Parts List

| 63 RESISTORS   |         |       | 41 CAPACITORS |           |         | POTS     |        |         |
|--|---------|-------|---------------|-----------|---------|----------|--------|---------|
| Quantity   | Value   | Power | Quantity      | Value     | Voltage | Quantity | Value  | Comment |
| 2  | 100     | 3     | 3             | 25        | 25      | 2        | 500K-A | Volume  |
| 1  | 130     | 10    | 9             | 0.1       |         | 1        | 250K-A | Top Cut |
| 1  | 1200    |       | 9             | 0.01      |         | 1        | 1M-A   | Depth   |
| 5  | 1500    |       | 1             | 220p      |         | 1        | 3M-RA  | Speed   |
| 2  | 2200    |       | 6             | 0.0047    |         |          |        |         |
| 1  | 3900    |       | 1             | 50        | 25      |          |        |         |
| 2  | 10000   |       | 1             | 16+16 can | 450     |          |        |         |
| 1  | 12000   |       | 2             | 8         | 450     |          |        |         |
| 3  | 22000   | 3     | 1             | 33        | 450     |          |        |         |
| 4  | 22000   |       | 1             | 0.0022    |         |          |        |         |
| 2  | 47000   |       | 2             | 500p      |         |          |        |         |
| 6  | 68000   |       | 1             | 750p      |         |          |        |         |
| 2  | 100000  |       | 1             | 100p      |         |          |        |         |
| 1  | 150000  |       | 1             | 200p      |         |          |        |         |
| 2  | 180000  |       | 1             | 0.022     |         |          |        |         |
| 4  | 220000  |       | 1             | 0.033     |         |          |        |         |
| 1  | 270000  |       |               |           |         |          |        |         |
| 3  | 330000  |       |               |           |         |          |        |         |
| 2  | 470000  |       |               |           |         |          |        |         |
| 2  | 560000  |       |               |           |         |          |        |         |
| 16   | 1000000 |       |               |           |         |          |        |         |
| <i>unspecified resistors are 1/2 watt metal film</i> |         |       |               |           |         |          |        |         |