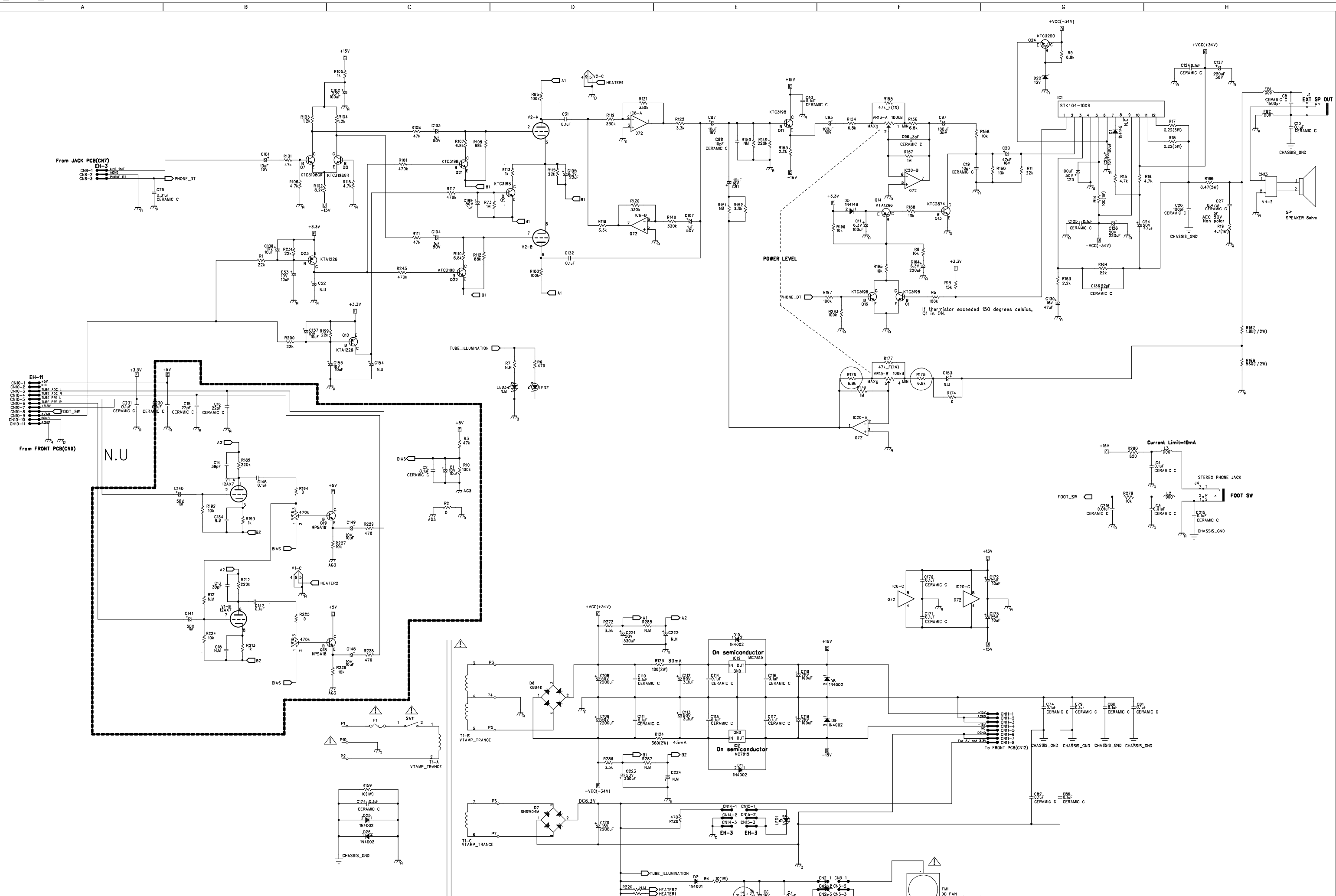


Table with 4 columns: MARK, REVISION REASON, DATE, REVISED BY.

Touch C71 to the right stud.
Touch C45 to the center stud.

Touch C42 to the left stud.



MARK	REVISION	REASON	DATE	REVISED BY

DRAWN BY	DESIGNED BY	CHECKED BY	MODEL	VT 50
Y.Shitani	M.Tohyama		TITLE	POWER CIRCUIT V1.0.2
			DRAWING NO.	DATE
				2008.10.30

FAN MOTOR
 Operating Voltage=4.25V~5.75V
 Input current=100mA