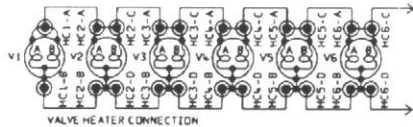
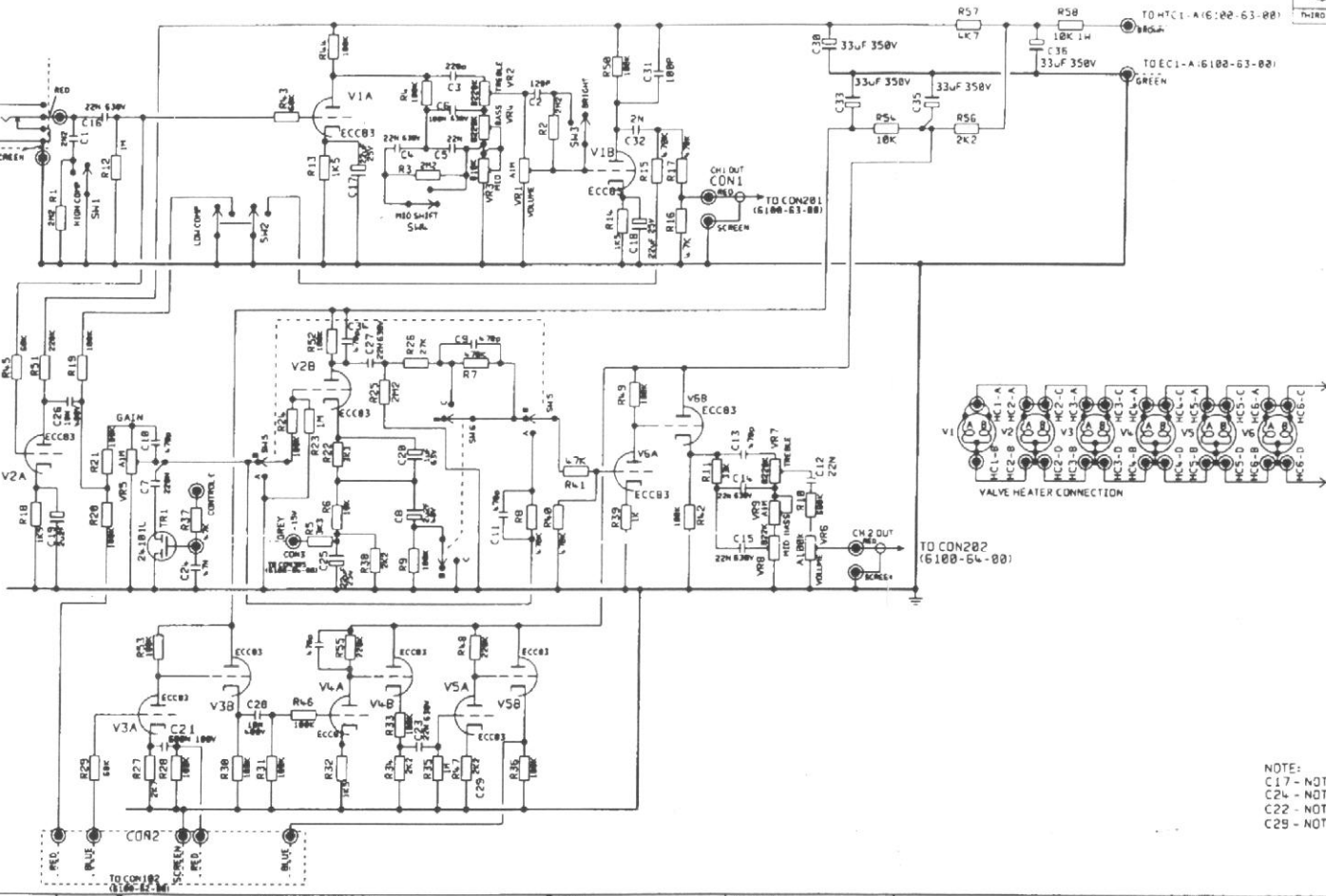


DWG.No. 6100-61-04

JACK SOCKET
INPUT



THIRD ANGLE PROJECTION



NOTE:
C17 - NOT FITTED
C24 - NOT FITTED
C22 - NOT FITTED
C29 - NOT FITTED

ISS	ECO NUMBER	DATE	A	B	C	D	E	F	G	H
1	0258	21/03/92	A	B	C	D	E	F	G	H
2	0249	15/07/92	C	D	E	F	G	H		
3	0215	26/05/92	E	F	G	H				
4	RELEASED	15/05/92	F	G	H					

UNSPECIFIED HOLE DATA		MATERIAL		DIMENSIONS IN	
1	0258	21/03/92	INTERNAL RECONSTRUCTION	15/05/92	6100/6101
2	0249	15/07/92	EXTERNAL DIMENSIONS	DATE	
3	0215	26/05/92	EXTERNAL DIMENSIONS	DATE	
4	RELEASED	15/05/92	EXTERNAL DIMENSIONS	DATE	

Marshall

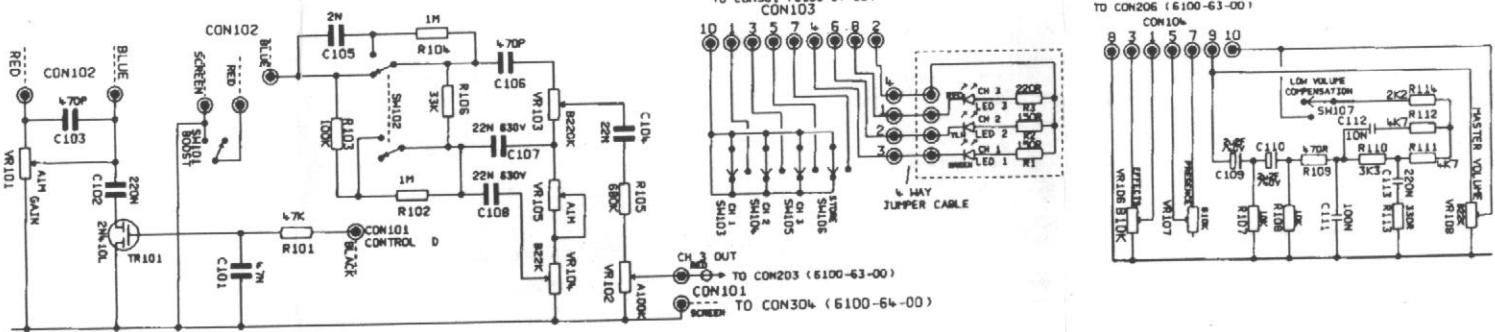
Copyright © 1992 Marshall Electronics Ltd. All rights reserved. No part of this publication may be reproduced without the prior written permission of Marshall Electronics Ltd.

TITLE		ISSUE	
CLEAN/CRUNCH CCT		A3	4
DWG.No	6100-61-04	ISSUE	4

DWG. No. 6100-62-04



THIRD ANGLE PROJECTION



C101-NOT FITTED

UNSPECIFIED HOLE DATA			INTERNAL	EXTERNAL	DIMENSIONS IN TOLERANCES (UNLESS OTHERWISE STATED): DIMENSIONS CENTERS	TITLE
A	B	H	INTERNAL TOLERANCE	EXTERNAL TOLERANCE		LEAD/MASTER CCT
B	C	J	INTERNAL HOLE DIA	EXTERNAL DIA		A3
C	D	K	INTERNAL DIA	EXTERNAL DIA		ISSUE
D	E	L	INTERNAL DIA	EXTERNAL DIA		1
E	F	M	INTERNAL DIA	EXTERNAL DIA		
F	G	N	INTERNAL DIA	EXTERNAL DIA		
G	H	P	INTERNAL DIA	EXTERNAL DIA		
ISS ECO NUMBER DATE			DESIGN T.F. DATE 15/05/92	CHECKED DATE	6100/6101	DRW. No. 6100-62-04
A B C			APPROVED DATE			H

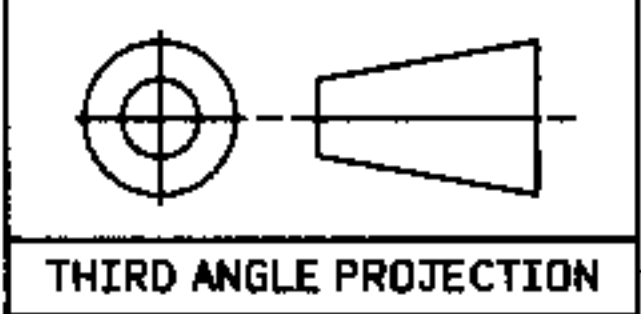
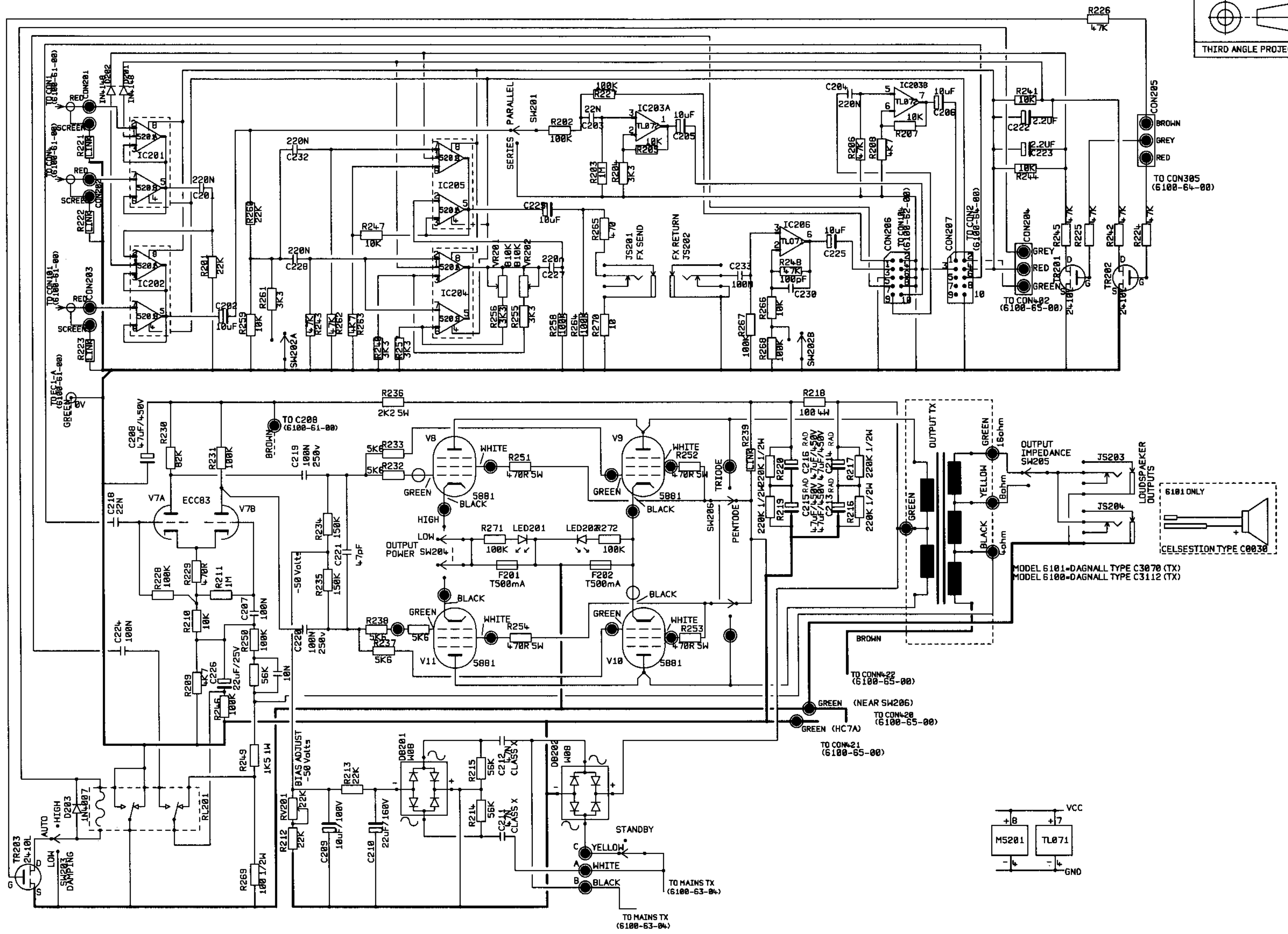
Marshall

REPRODUCTION OF THIS DOCUMENT IS PROHIBITED BY LAW UNLESS THE USER HAS BEEN ADVISED BY THE ORIGINAL AUTHOR OR BY THE ORIGINAL AUTHOR'S REPRESENTATIVE.

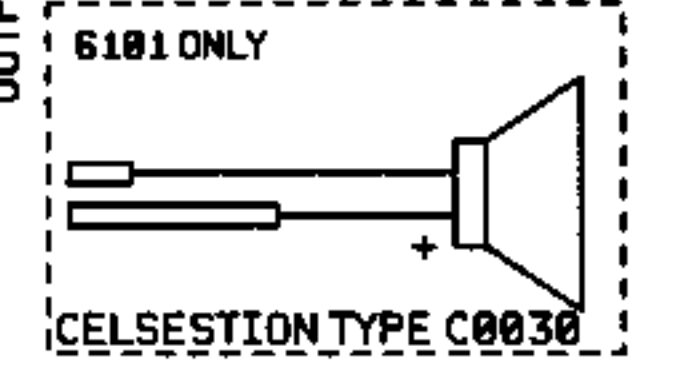
© 1992 MARSHALL ELECTRONICS LTD.
MARSHALL ELECTRONICS, 15000 W. 10TH AVENUE, DENVER, CO 80202
TEL: (303) 751-1100 FAX: (303) 751-1101

DWG. NO. 6100-63-04

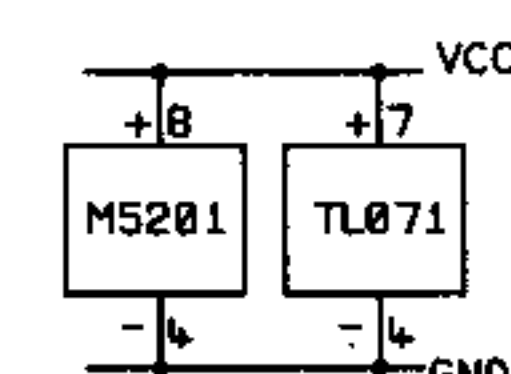
NOTE -- ADJUST BIAS TO -50Volts
(NO SIGNAL CONDITION)



TO CON305
(6100-64-00)



MODEL 6101-DAGNALL TYPE C3070 (TX)
MODEL 6100-DAGNALL TYPE C3112 (TX)



UNSPECIFIED HOLE DATA

ISS	ECO NUMBER	DATE	A	B	C	D	E	F	G
4	0408	24-8-93	C						
3	0394	6-8-93	E						
2	0249	15/07/92	F						

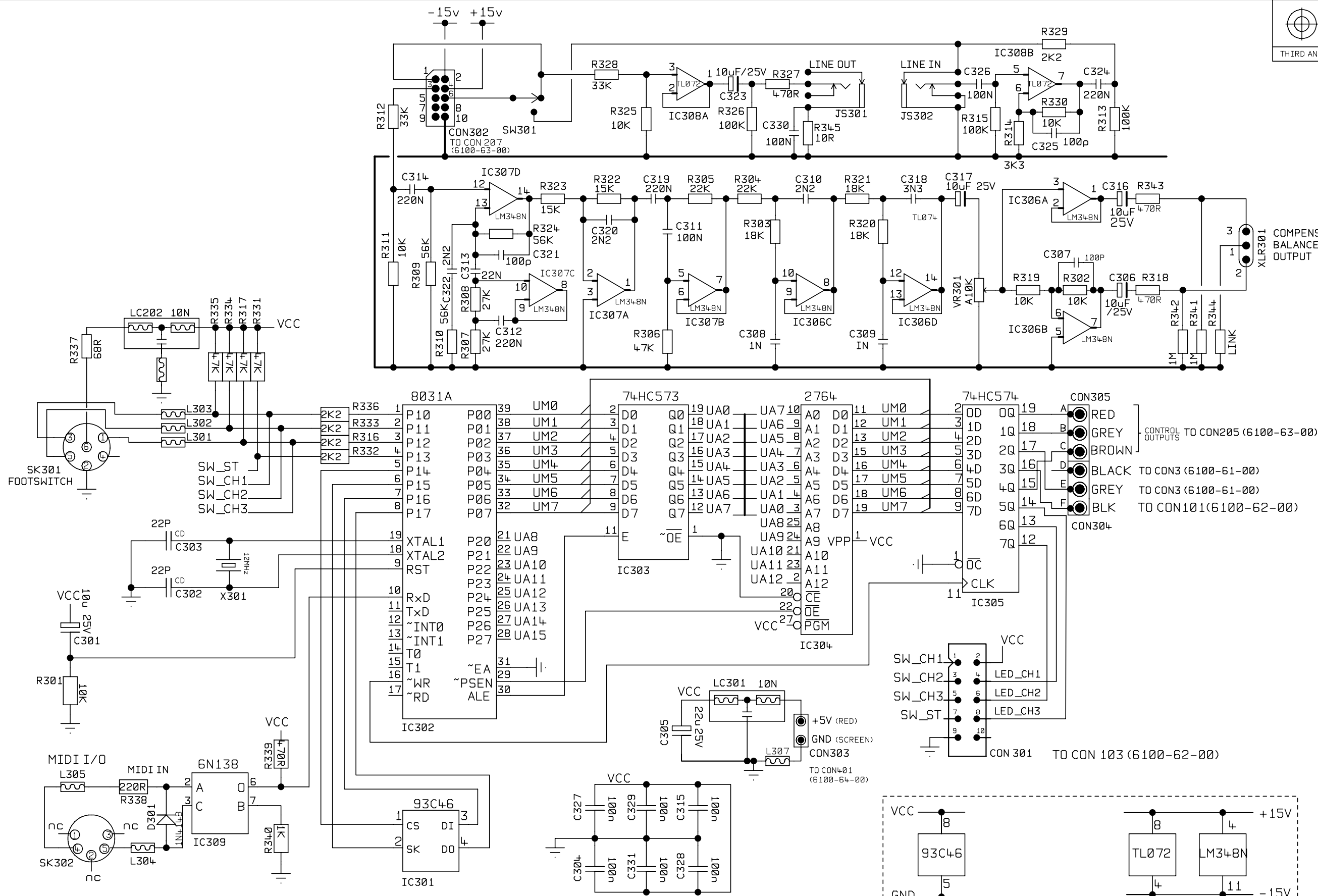
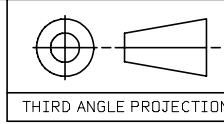
MATERIAL		DIMENSIONS IN	
MATERIAL THICKNESS		TOLERANCE (UNLESS OTHERWISE STATED)	
INTERNAL BEND RADII		DIMENSIONAL	
EXTERNAL B/A		CENTRES	
BEND DIE		ANGULAR	
DRAWN T,F	DATE 15/05/92	MODEL	6100/6101
CHECKED	DATE		
APPROVED	DATE		

Marshall

COPYRIGHT EXISTS ON THIS DOCUMENT. IT MUST NOT BE USED FOR ANY PURPOSE THAN THAT FOR WHICH IT IS SUPPLIED AND MUST NOT BE REPRODUCED OR IN PART WITHOUT WRITTEN PERMISSION FROM
MARSHALL AMPLIFICATION PLC.
DENBIGH ROAD, BLETCHLEY, MILTON KEYNES, MK1 10Q.
TEL (0580)375411 FAX (0580)376110

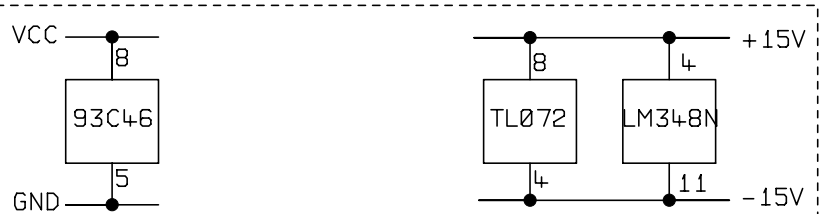
TITLE		ISSUE	
POWER AMP CCT		4	
DWG.No	6100-63-04	ISSUE	4

DWG.No.6100-64-04



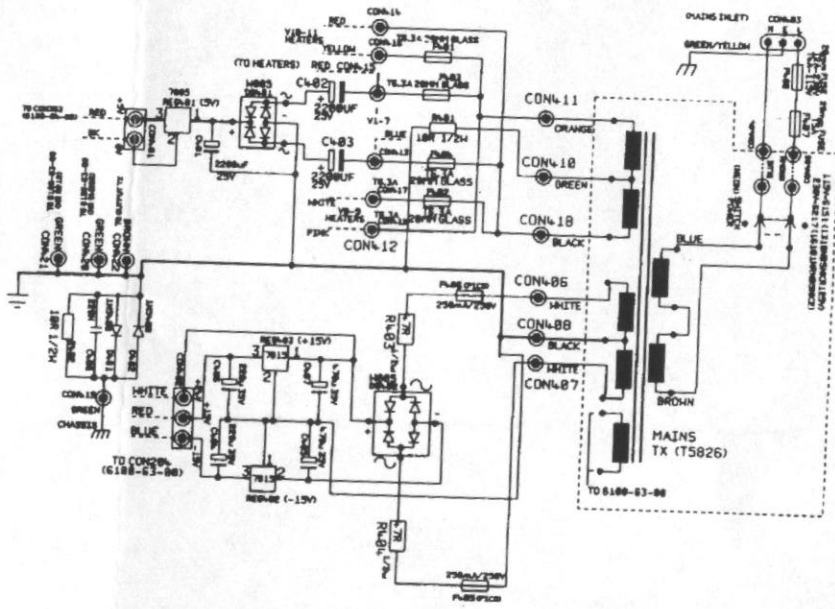
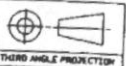
COMPENSATED BALANCED OUTPUT

CONTROL OUTPUTS TO CON205 (6100-63-00)
 TO CON3 (6100-61-00)
 TO CON3 (6100-61-00)
 TO CON101(6100-62-00)



UNSPECIFIED HOLE DATA				MATERIAL		DIMENSIONS IN		TITLE	
	A		H	MATERIAL THICKNESS	TOLERANCE (UNLESS OTHERWISE STATED)				
	B		J	INTERNAL BEND RADIUS	DIMENSIONAL				
	C		K	EXTERNAL B/A	CENTRES				
	D		L	BEND DIE	ANGULAR				
3	0303	02/02/93	D		MODEL	6100/6101			
2	0249	15/07/92	E		DRAWN T.F	DATE	07/12/91		
1	RELEASED	07/12/91	F		CHECKED	DATE			
ISS	ECO NUMBER	DATE	G		APPROVED	DATE			
								<small>COPYRIGHT EXISTS ON THIS DOCUMENT. IT MUST NOT BE USED FOR ANY PURPOSE THAN THAT FOR WHICH IT IS SUPPLIED AND MUST NOT BE COPIED OR IN PART) WITHOUT WRITTEN PERMISSION FROM (TM WHOLE © JIM MARSHALL (PRODUCTS) LTD. DENBIGH ROAD, BLETCHLEY, MILTON KEYNES, MK1 10Q. TEL (0908)375411 FAX (0908)376118</small>	
								MIDI CCT	
								A3	
								DWG.No 6100-64-04	
								ISSUE 3	

DWG. No. 6100-65-04



		UNSPECIFIED HOLE DATA				TYPICAL		SYMBOLS IN		TITLE	
		A	B	C	H	TYPICAL THICKNESS	TOLERANCE	TOLERANCE	TOLERANCE	PSU CCT	
6	0249				J						
3	0219	13/87/92			K						
2		18/86/92			L						
1	RELEASED	28/03/92			M						
153	ECO NUMBER	13/05/92			N						
					P						

NO.	DATE	BY	CHKD.	APP'D.
1	15/05/92			

NO.	DATE	BY	CHKD.	APP'D.
1	15/05/92			

NO.	DATE	BY	CHKD.	APP'D.
1	15/05/92			

Marshall

6100/6101

DWG. No. 6100-65-04
ISSUE 4