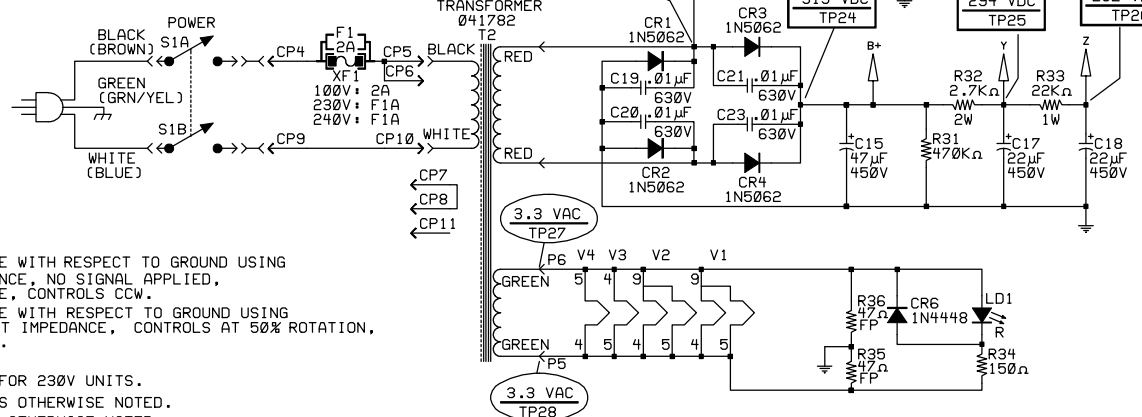
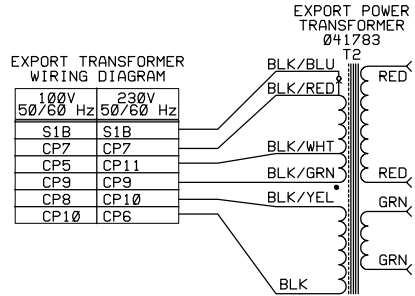
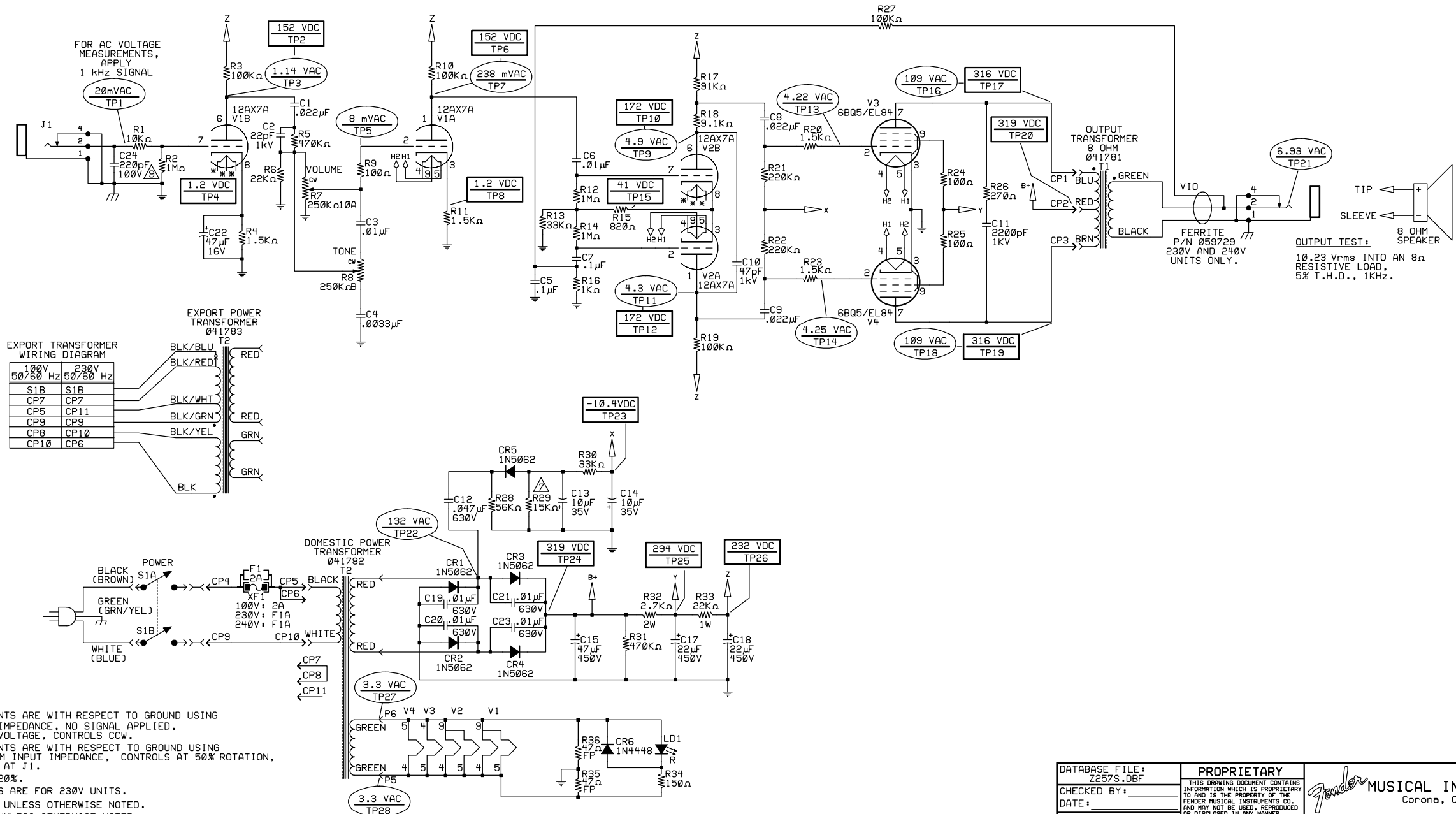


REVISIONS				
ZONE	REV.	DESCRIPTION	DATE	APPROVED
	B	EC 1093	10/21/93	JSS
	C	ECO L02942	10/7/94	MDW
	D	EC 2063	7/29/98	MDW
	E	EC 2827	9/24/02	MDW
	F	EC 3261	7/29/05	MDW



- NOTES:
- DC VOLTAGE MEASUREMENTS ARE WITH RESPECT TO GROUND USING A DVM OF 10MΩ INPUT IMPEDANCE, NO SIGNAL APPLIED, 120 VAC, 60 Hz LINE VOLTAGE, CONTROLS CCW.
 - AC VOLTAGE MEASUREMENTS ARE WITH RESPECT TO GROUND USING A DVM OF 1 MΩ MINIMUM INPUT IMPEDANCE, CONTROLS AT 50% ROTATION, 1 kHz SIGNAL APPLIED AT J1.
 - VOLTAGES MAY VARY ± 20%.
 - COLORS IN PARENTHESIS ARE FOR 230V UNITS.
 - ALL RESISTORS 1/2 WATT UNLESS OTHERWISE NOTED.
 - ALL CAPACITORS 400V UNLESS OTHERWISE NOTED.
 - R29 IS 18kΩ (FENDER P/N 048903) IN ALL EXPORT UNITS FOR 50Hz OPERATION.
 - INSTANCES NOT USED: C16
 - C24 INSTALLED IN EXPORT UNITS ONLY.

DATABASE FILE: Z257S.DBF CHECKED BY: DATE: APPROVED: DATE:	PROPRIETARY <small>THIS DRAWING DOCUMENT CONTAINS INFORMATION WHICH IS PROPRIETARY TO AND IS THE PROPERTY OF THE FENDER MUSICAL INSTRUMENTS CO. AND MAY NOT BE USED, REPRODUCED OR DISCLOSED IN ANY MANNER WITHOUT THE EXPRESSED WRITTEN CONSENT FROM:</small> FENDER MUSICAL INSTRUMENTS CORP. CORONA, CA U.S.A. REGIONAL HEADQUARTERS ROCK OIL NEXT HIGHER ASSEMBLY:	Fender MUSICAL INSTRUMENTS Corona, CA U.S.A. TITLE: SCHEMATIC DIAGRAM PRO JUNIOR SIZE: D DRAWN: R. MURRAY ENGR: J. S. SAMS CREATED: 24-MAY-93 PLOTTED: 29-JUL-05 SHEET 1 OF 1
---	--	---

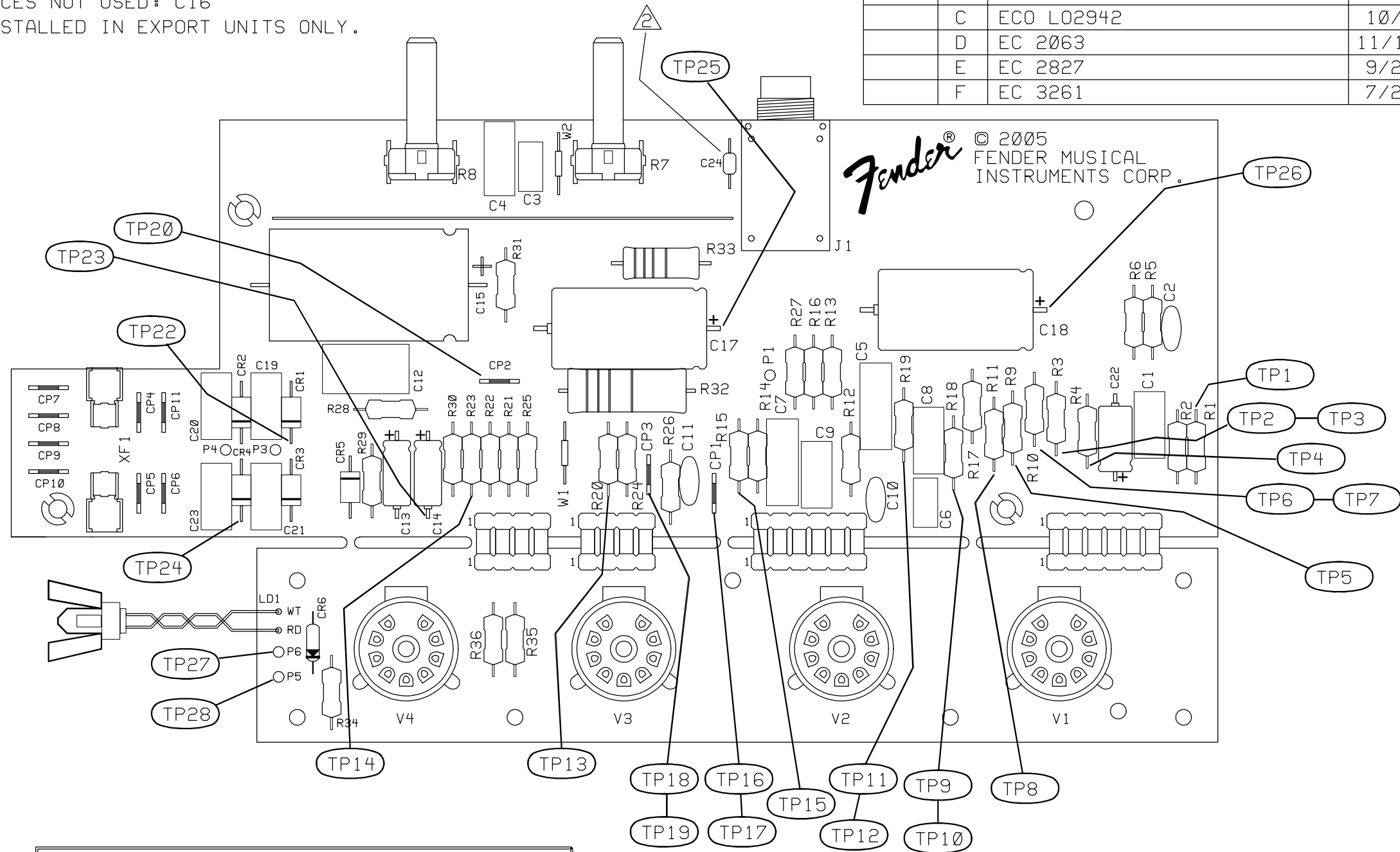
PART NO. 0047421000 1 OF 1 SHEET

NOTES :

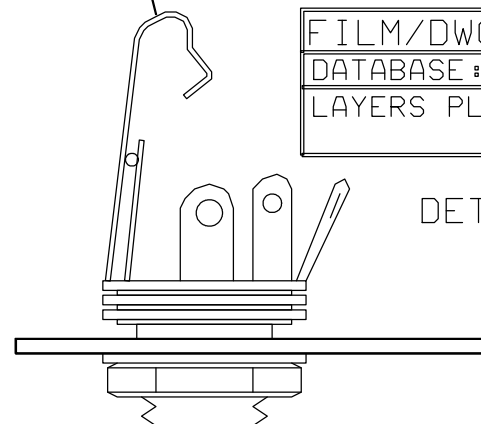
- 1.) INSTANCES NOT USED: C16
- △ C24 INSTALLED IN EXPORT UNITS ONLY.

REVISIONS

ZONE	REV.	DESCRIPTION	DATE	APPROVED
	C	ECO L02942	10/7/94	MDW
	D	EC 2063	11/18/98	MDW
	E	EC 2827	9/23/02	MDW
	F	EC 3261	7/29/05	MDW



TP21



FILM/DWG : SERVICE DIAGRAM			
DATABASE : Z257P.DBF		DATE : 29-JUL-05	
LAYERS PLOTTED :	1	2	3
	4	10	
	18		

DETAIL A: LOCATION OF TP21
CHASSIS MOUNTED
SPEAKER JACK

DATABASE FILE : Z257P.DBF	
CHECKED BY :	_____
DATE :	_____
APPROVED :	_____
DATE :	_____
TOLERANCES : UNLESS OTHERWISE NOTED	
X.X	±0.050"
X.XX	±0.010"
X.XXX	±0.005"
ANGLES	±0.500°

PROPRIETARY
THIS DRAWING DOCUMENT CONTAINS INFORMATION WHICH IS PROPRIETARY TO AND IS THE PROPERTY OF THE FENDER MUSICAL INSTRUMENTS CO. AND MAY NOT BE USED, REPRODUCED OR DISCLOSED IN ANY MANNER WITHOUT THE EXPRESSED WRITTEN CONSENT FROM:
FENDER MUSICAL INSTRUMENTS CO.
REGIONAL HEADQUARTERS
CORONA, CA U.S.A.
NEXT HIGHER ASSEMBLY :

Fender MUSICAL INSTRUMENTS
Corona, CA U.S.A.

TITLE : SERVICE DIAGRAM
PRO JUNIOR

SIZE	DRAWN : J S SAMS	DRAWING NUMBER	REV.
B	ENGR : J S SAMS	0047422000	F
SCALE : NONE	CREATED : 10-JUN-93	SHEET 1 OF 1	
	PLOTTED : 29-JUL-05		