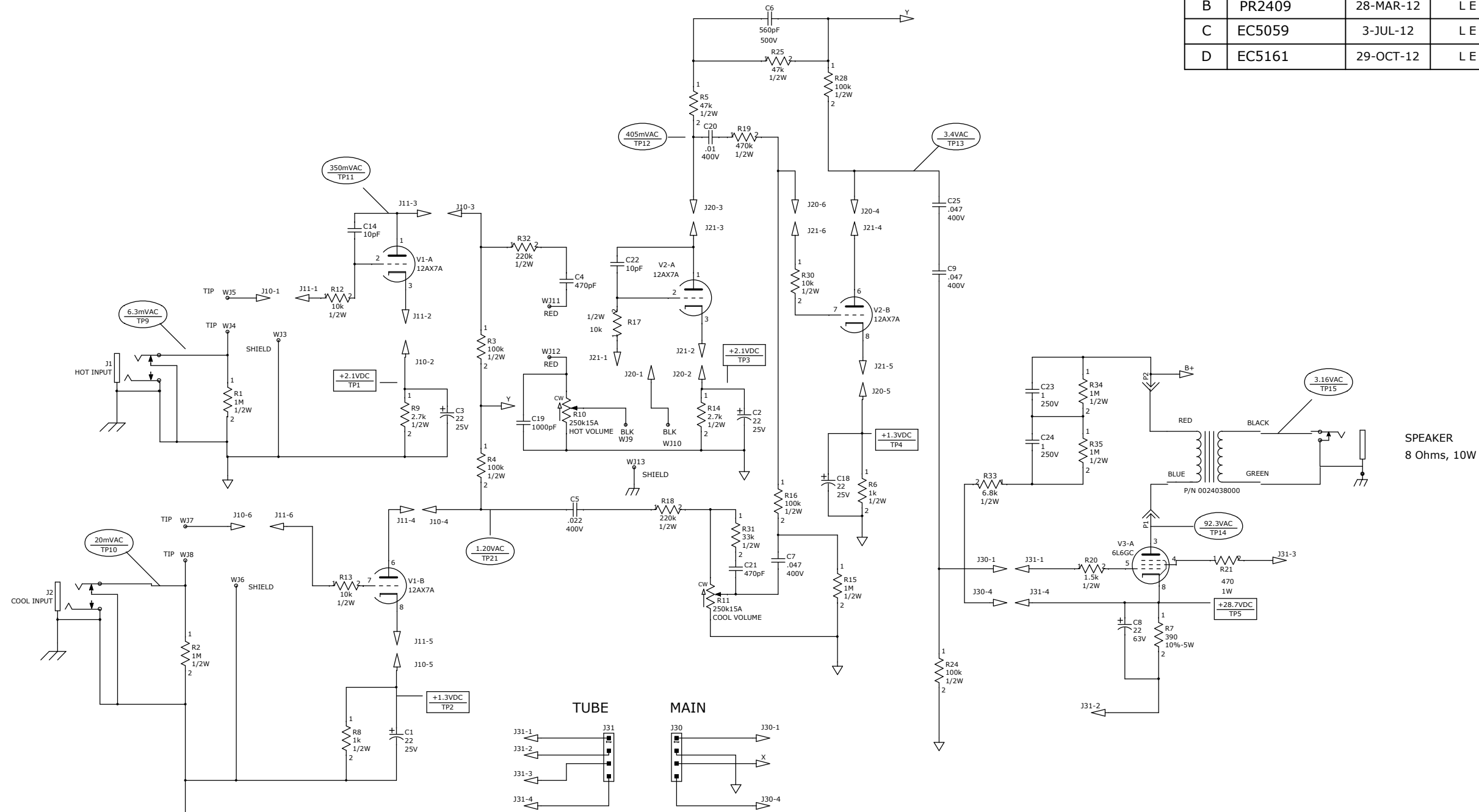
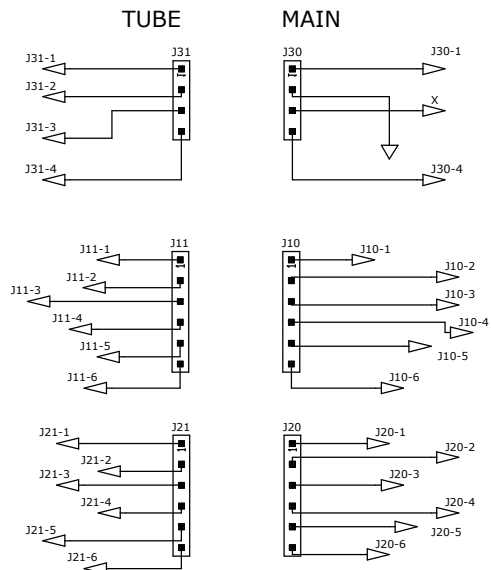


REVISIONS			
REV.	DESCRIPTION	DATE	APPROVED
A	PR2409	14-MAR12	L E L
B	PR2409	28-MAR-12	L E L
C	EC5059	3-JUL-12	L E L
D	EC5161	29-OCT-12	L E L

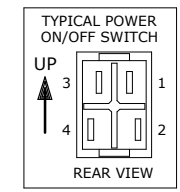
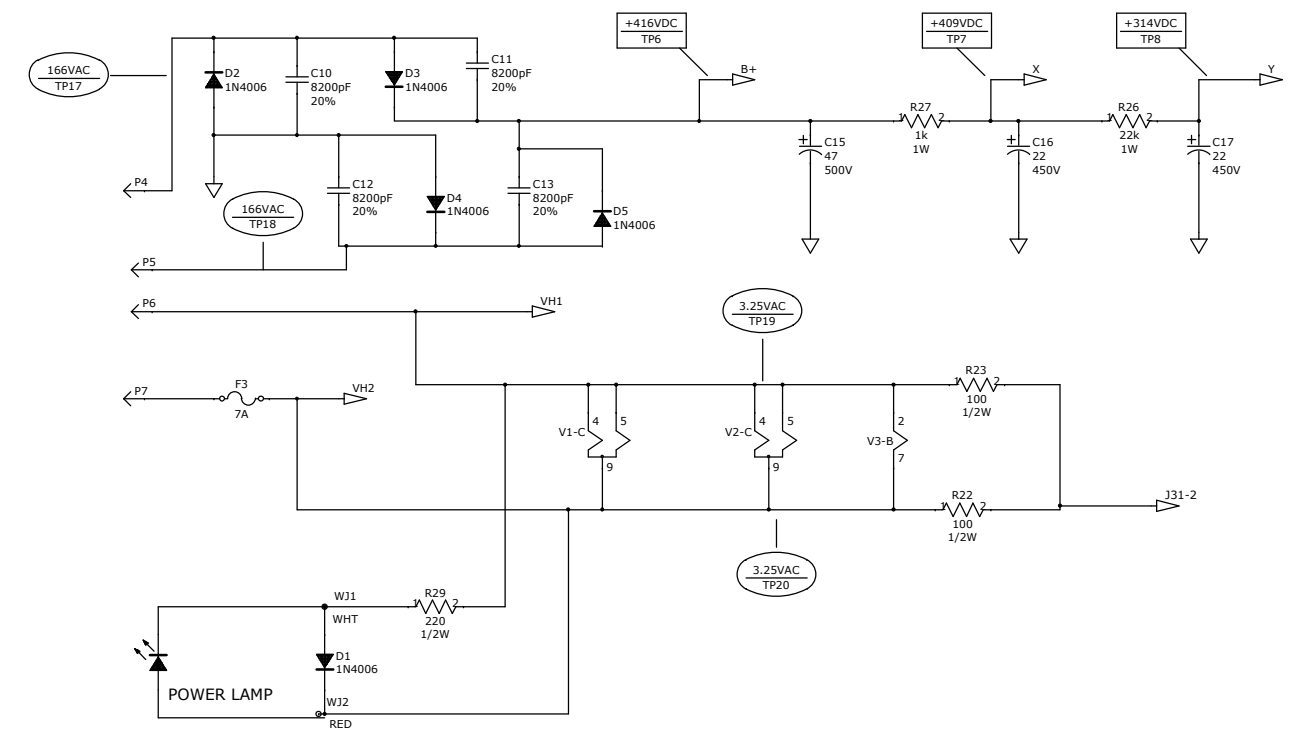
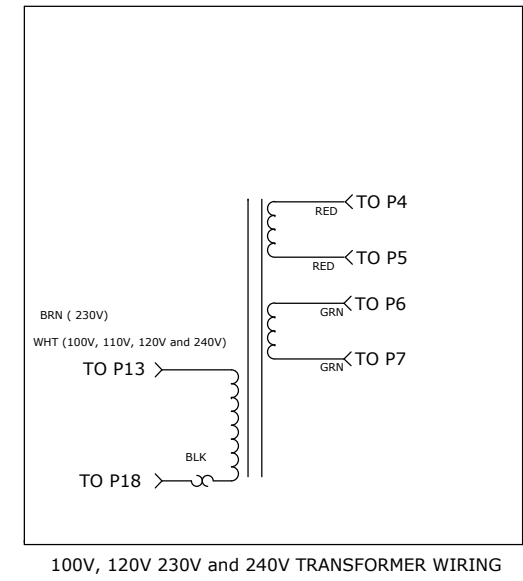
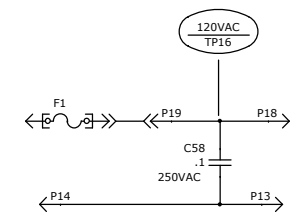


6. AC TEST POINT CONDITIONS: CONTROLS AT 50% ROTATION, ONE INPUT AT A TIME
 5. DC TEST POINT CONDITIONS: RATED INPUT VOLTAGE, NO SIGNAL
 4. THIS SCHEMATIC IS FOR PCB FABRICATION P/N 2409ICT005 AND PCB ASSEMBLY P/N 2409ICT006.
 3. ALL POLARIZED CAPACITORS IN μF , 20%.
 2. ALL UNPOLARIZED CAPACITORS IN μF , 10% OR BETTER.
 1. ALL RESISTORS IN OHMS, 5%; 1/2W UNLESS OTHERWISE STATED.
- NOTES: (UNLESS OTHERWISE NOTED)



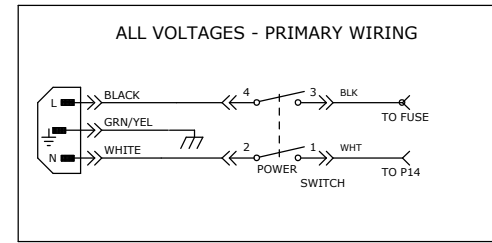
THIS DOCUMENT CONTAINS INFORMATION OF A PROPRIETARY NATURE TO FENDER MUSICAL INSTRUMENTS AND IS SUBMITTED TO YOU IN CONFIDENCE AND SHALL NOT BE DISCLOSED OR TRANSMITTED TO OTHERS WITHOUT AUTHORIZATION FROM FENDER MUSICAL INSTRUMENTS.		MUSICAL INSTRUMENTS Corona, CA U.S.A.		
CHECKED BY: _____ DATE: _____				TITLE: SERVICE DIAGRAM, COMBINED (schematic) RAMPARTE AMPLIFIER
APPROVED BY: _____ DATE: _____		SIZE	DRAWING NUMBER	REV.
DRAWN: LORENZEN ENGR: LORENZEN DATABASE FILE: Z2409S.SCH		C	2409ICT007	D
		RELEASE DATE: 14-MAR-12		SHEET: 1 OF 3

REVISIONS			
REV.	DESCRIPTION	DATE	APPROVED
D	EC5161	29-OCT-12	L E L



ALL FASTONS ARE 0.250" EXCEPT P105 WHICH IS 0.187"

100V	120V	220V - 240V
2A FAST 250V	2A FAST 250V	1A FAST 250V

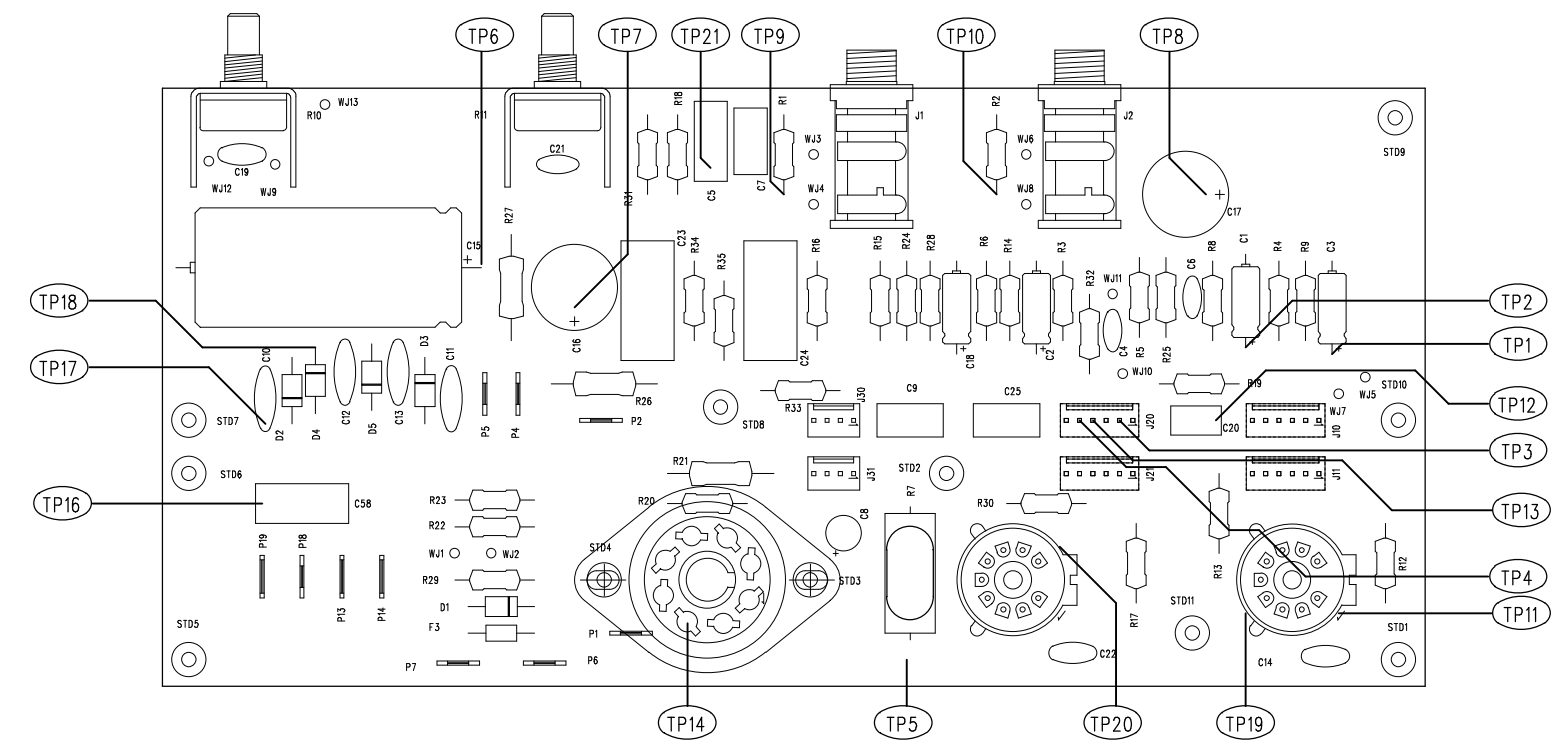


THIS DOCUMENT CONTAINS INFORMATION OF A PROPRIETARY NATURE TO FENDER MUSICAL INSTRUMENTS AND IS SUBMITTED TO YOU IN CONFIDENCE AND SHALL NOT BE DISCLOSED OR TRANSMITTED TO OTHERS WITHOUT AUTHORIZATION FROM FENDER MUSICAL INSTRUMENTS.		MUSICAL INSTRUMENTS Corona, CA U.S.A.	
CHECKED BY: _____ DATE: _____		TITLE: SERVICE DIAGRAM, COMBINED (schematic) RAMPARTE AMPLIFIER	
APPROVED BY: _____ DATE: _____		SIZE C	DRAWING NUMBER 2409ICT007
DRAWN: LORENZEN	ENGR: LORENZEN	REV. D	SHEET: 2 OF 3
DATABASE FILE: Z2409S.SCH		RELEASE DATE: 28-MAR-12	

8 7 6 5 4 3 2 1

REVISIONS			
REV.	DESCRIPTION	DATE	APPROVED
A	PR2409	21-MAR-12	LEL
B	PR2409	29-MAR-12	LEL
C	PR2409	23-OCT-12	LEL
D	EC 5161	29-OCT-12	LEL

D
C
B
A



FILM/DWG: SERVICE DIAGRAM
 DATABASE: Z2409P.PCB DATE: 29-OCT-12

1. SEE SHEET ONE FOR NOTES AND TEST CONDITIONS.
 (UNLESS OTHERWISE NOTED)

THIS DOCUMENT CONTAINS INFORMATION OF A PROPRIETARY NATURE TO FENDER MUSICAL INSTRUMENTS AND IS SUBMITTED TO YOU IN CONFIDENCE AND SHALL NOT BE DISCLOSED OR TRANSMITTED TO OTHERS WITHOUT AUTHORIZATION FROM FENDER MUSICAL INSTRUMENTS.		MUSICAL INSTRUMENTS Corona, CA U.S.A.	
CHECKED BY: _____ DATE: _____		TITLE: SERVICE DIAGRAM, COMBINED (PCB assy) RAMPARTE AMPLIFIER	
APPROVED BY: _____ DATE: _____		SIZE C	DRAWING NUMBER 2409ICT007
DRAWN: Lorenzen	ENGR: Lorenzen	RELEASE DATE: 21-MAR-12	REV. D SHEET 3 OF 3
DATABASE FILE: Z2409P.PCB			

8 7 6 5 4 3 2 1