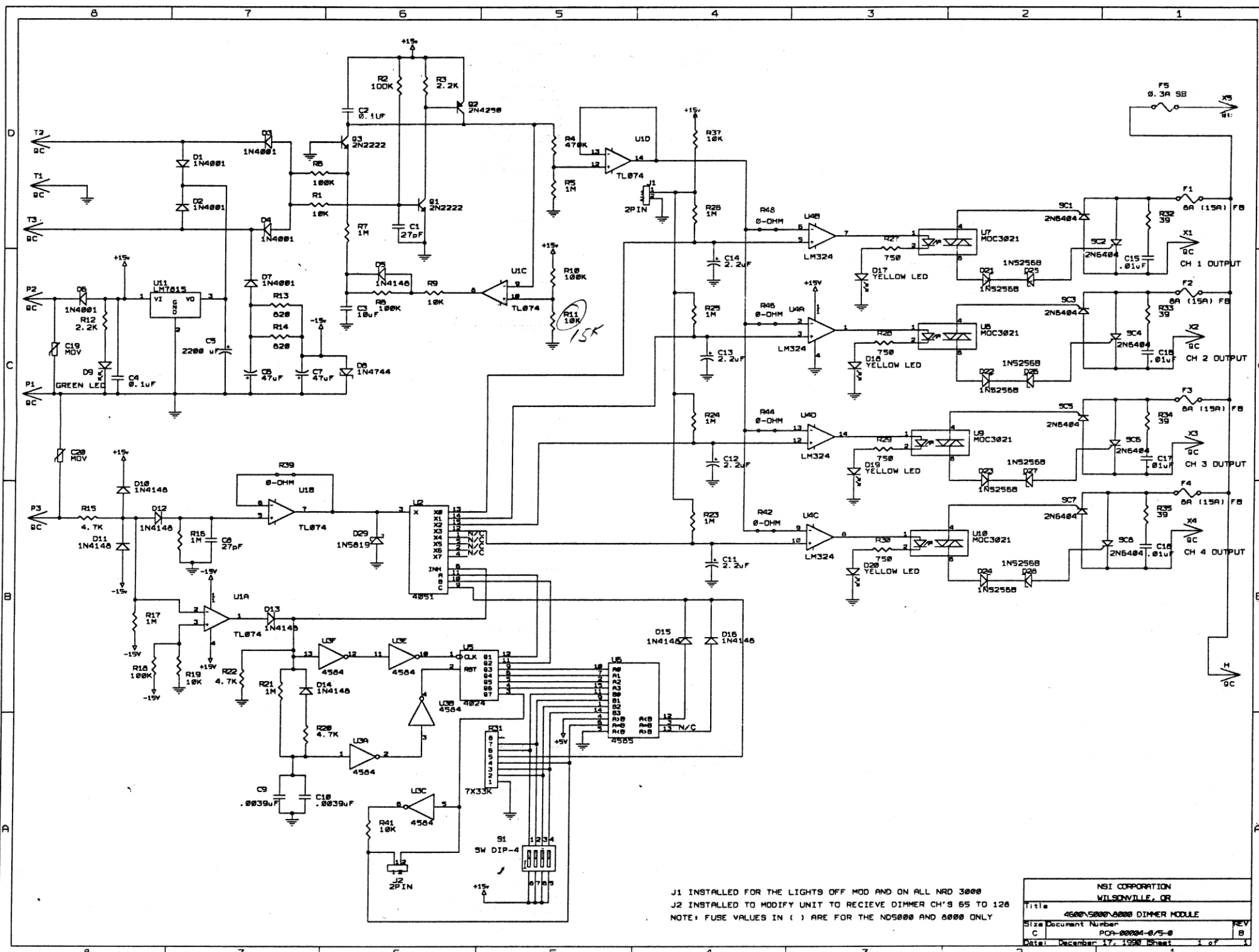


NOTE: FUSE VALUES IN ( ) ARE FOR THE N05000 AND 6000 ONLY

NSI CORPORATION WILSONVILLE, OR	
Title	4500/5000/6000 DIMMER MODULE
Size Document Number	PCA-00004-0/5-0
C	REV A
Date: December 17, 1992	Sheet 1 of 1



J1 INSTALLED FOR THE LIGHTS OFF MOD AND ON ALL NRD 3000  
 J2 INSTALLED TO MODIFY UNIT TO RECIEVE DIMMER CH'S 65 TO 126  
 NOTE: FUSE VALUES IN ( ) ARE FOR THE NDS000 AND 8000 ONLY

NSI CORPORATION WILSONVILLE, OR	
Title	4500-5000-8000 DIMMER MODULE
Size Document Number	PCN-00004-0/5-0
C	REV B
Date:	December 17, 1990 Sheet 1 of 1