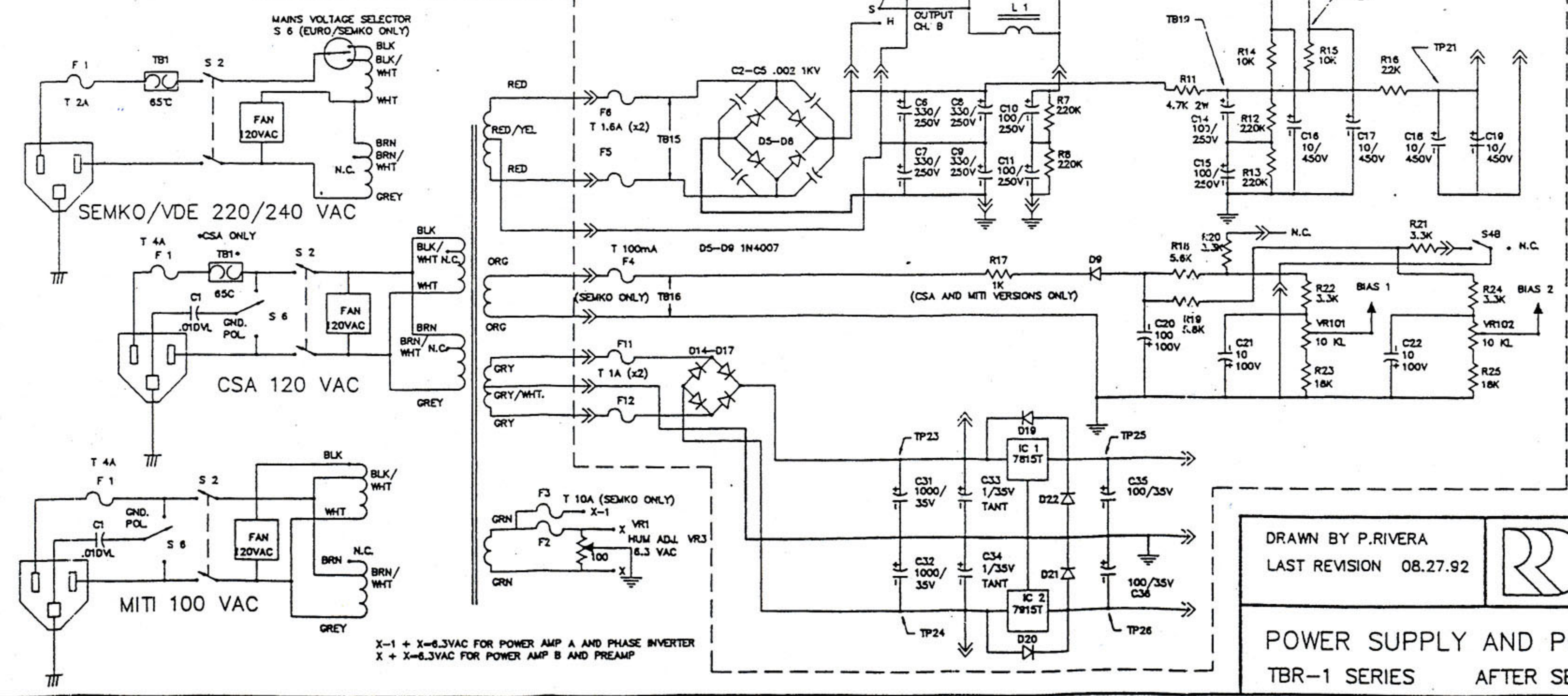


- NOTES:
1. ALL COUPLING CAPACITORS MPC TYPE
  2. ALL POWER SUPPLY FILTER CAPS 105C TYPE
  3. WIRE TYPE FOR B+ AND FILAMENTS 105C, TEFLON PREFERRED
  4. ALL TRIODES 12AX7A TYPE
  5. ALL POWER TUBES SHOULD BE REPLACED IN TESTED PAIRS
  6. OBSERVE DIFFERENT GROUND POTENTIALS
  7. DISCHARGE ALL POWER SUPPLY POINTS BEFORE SERVICING
  8. ALL MEASUREMENTS TAKEN AT NOMINAL MAINS VOLTAGE
  9. ALL MEASUREMENTS +/- 20%
  10. TEST SIGNAL 1KHz, 250mVAC
  11. SET VOLUME 10, SELECT LO, FOCUS 1, PRESENCE 1
  12. SET IMPEDANCE 8 OHM (OR CORRECT LOAD), POWER HIGH, POWER CLASS P

TEST POINT	AC SIG.VOLT.	DC VOLT.
TP1/TP8	250mV	0
TP2/TP9	250mV	0
TP3/TP10	2.8V	360V
TP4/TP11	2.7	0
TP5/TP12	15V	270V
TP6/TP13	15V	280V
TP7/TP14	2.5V	34V
TP15	335V	0
TP16	80V	0
TP17	0	435V
TP18	0	217V
TP19	0	385V
TP20	0	370V
TP21	0	350V
TP23	0	+23V
TP24	0	-23V
TP25	0	+15V
TP26	0	-15V



X-1 + X-6.3VAC FOR POWER AMP A AND PHASE INVERTER  
X + X-6.3VAC FOR POWER AMP B AND PREAMP

DRAWN BY P.RIVERA  
LAST REVISION 08.27.92

**R** Rivera Research & Development

POWER SUPPLY AND POWER AMP  
TBR-1 SERIES AFTER SER# 81500