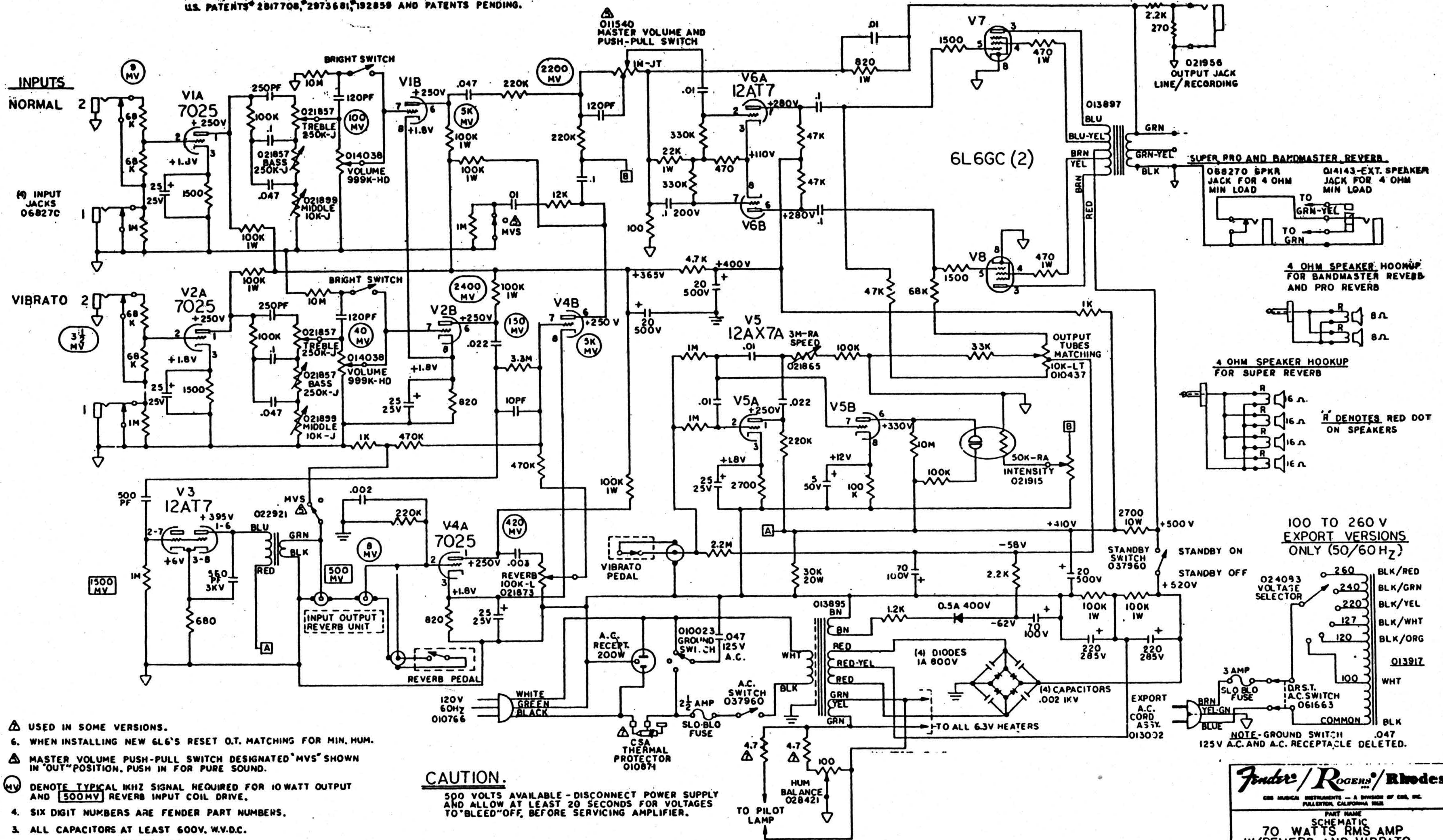


THIS PRODUCT MANUFACTURED UNDER ONE OR MORE OF THE FOLLOWING
U.S. PATENTS 2817708, 2973681, 192859 AND PATENTS PENDING.



- △ USED IN SOME VERSIONS.
- 6. WHEN INSTALLING NEW 6L6'S RESET O.T. MATCHING FOR MIN. HUM.
- △ MASTER VOLUME PUSH-PULL SWITCH DESIGNATED "MVS" SHOWN IN "OUT" POSITION. PUSH IN FOR PURE SOUND.
- ⓂV DENOTE TYPICAL 1KHZ SIGNAL REQUIRED FOR 10WATT OUTPUT AND [500MV] REVERB INPUT COIL DRIVE.
- 4. SIX DIGIT NUMBERS ARE FENDER PART NUMBERS.
- 3. ALL CAPACITORS AT LEAST 600V. W.V.D.C.
- 2. ALL RESISTORS 1/2 WATT ±10%.
- 1. VOLTAGES READ TO GROUND WITH V.T.V.M. NO SIGNAL. V5 (ONLY) VOLTAGES READ WITH SPEED & INTENSITY MAX. & VIBRATO ON.

NOTES: UNLESS OTHERWISE SPECIFIED

CAUTION.

500 VOLTS AVAILABLE - DISCONNECT POWER SUPPLY AND ALLOW AT LEAST 20 SECONDS FOR VOLTAGES TO "BLEED" OFF, BEFORE SERVICING AMPLIFIER.

76-80

Master Vol

Pull Boost

- Pro Reverb

- Super Reverb

- Bandmaster Reverb

Fender/Rogers/Rhodes
ONE HUNDRED INSTRUMENTS - A DIVISION OF CBS, INC. FULLERTON, CALIFORNIA 92631

PART NAME
**70 WATTS RMS AMP
 W/REVERB AND VIBRATO**

DATE	PART NO.	REV.
D	013898	D