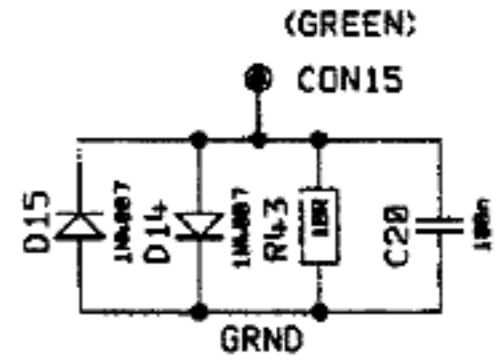
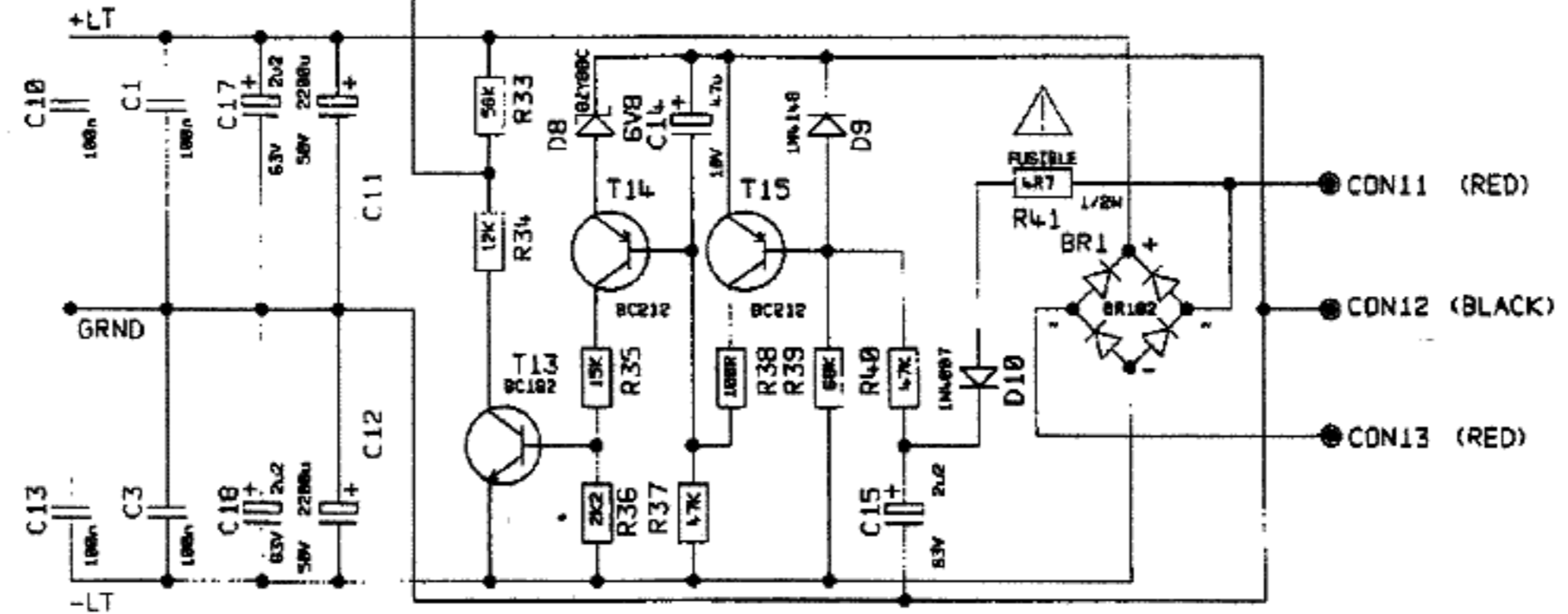
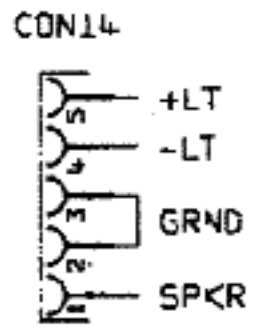


SAFETY CRITICAL COMPONENT
 COMPONENTS MUST BE REPLACED WITH THE SAME TYPE AND RATING ONLY



ignore layers 7

| ALL OTHER HOLES = | | X = (THROUGH PLATED) | | MATERIAL | | DIMENSIONS IN | | TITLE | |
|-------------------|------------|----------------------|---|--------------------|----------|-------------------------------------|-------|-------------------|----------------|
| A | E | J | N | MATERIAL THICKNESS | DATE | TOLERANCE (UNLESS OTHERWISE STATED) | MODEL | VS65 POWER MODULE | |
| B | F | K | P | DRAWN B.KEIR | 08.09.95 | | | DWG.No | VS65-61-02.DGM |
| 1 PRE-PRODUCTION | 27/10/95 | C | Q | CHECKED | DATE | | | ISS | 1 |
| ISS | ECO NUMBER | D | R | APPROVED | DATE | | | | |

