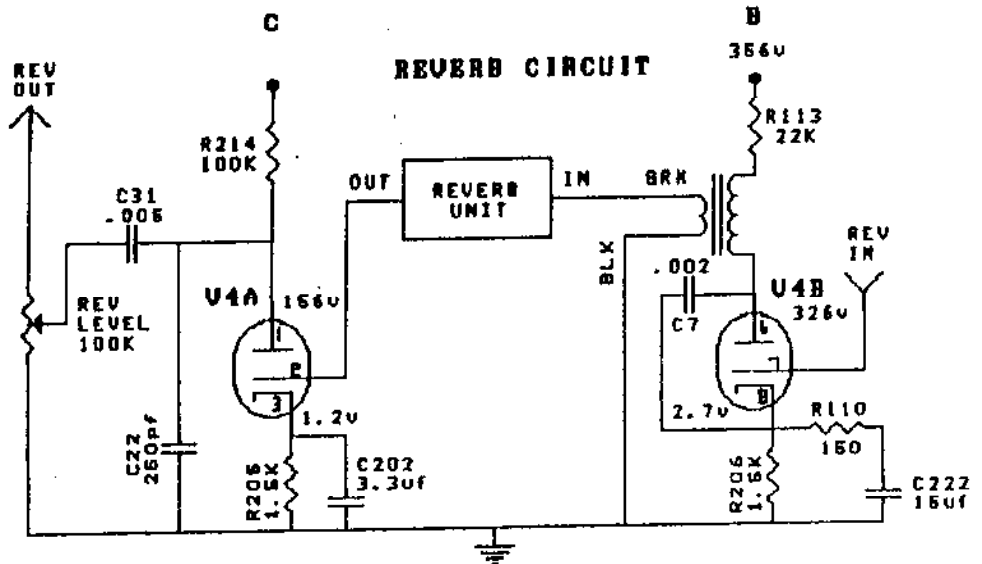
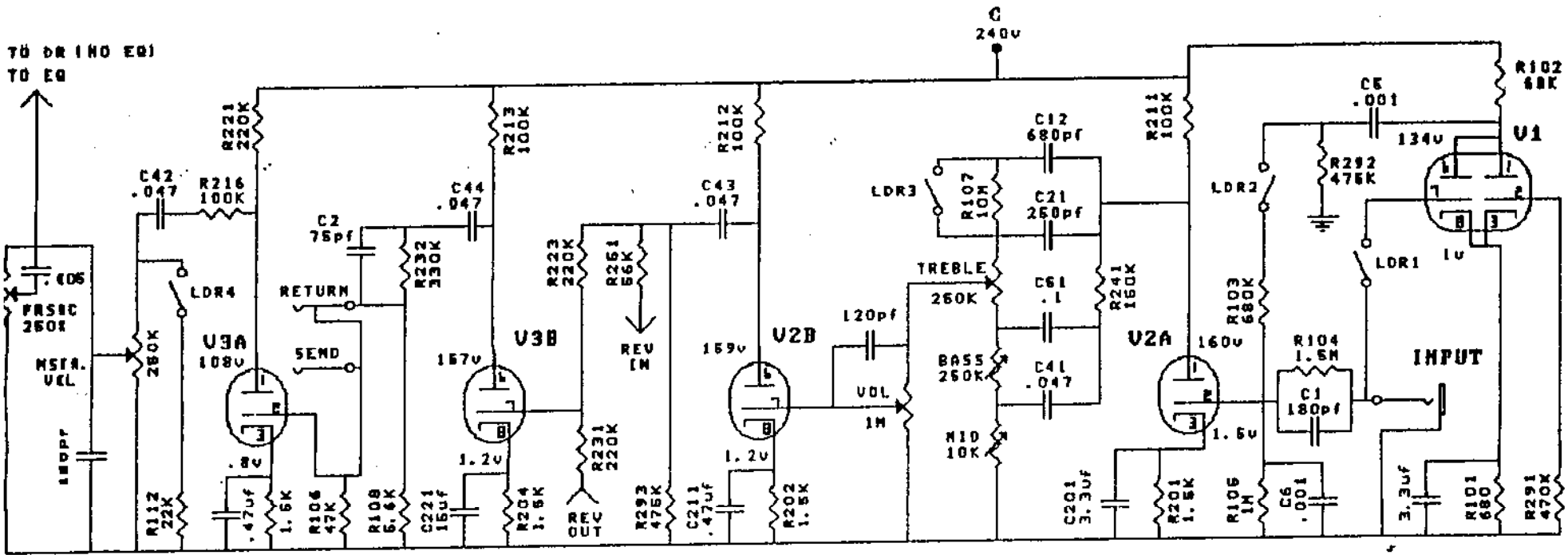


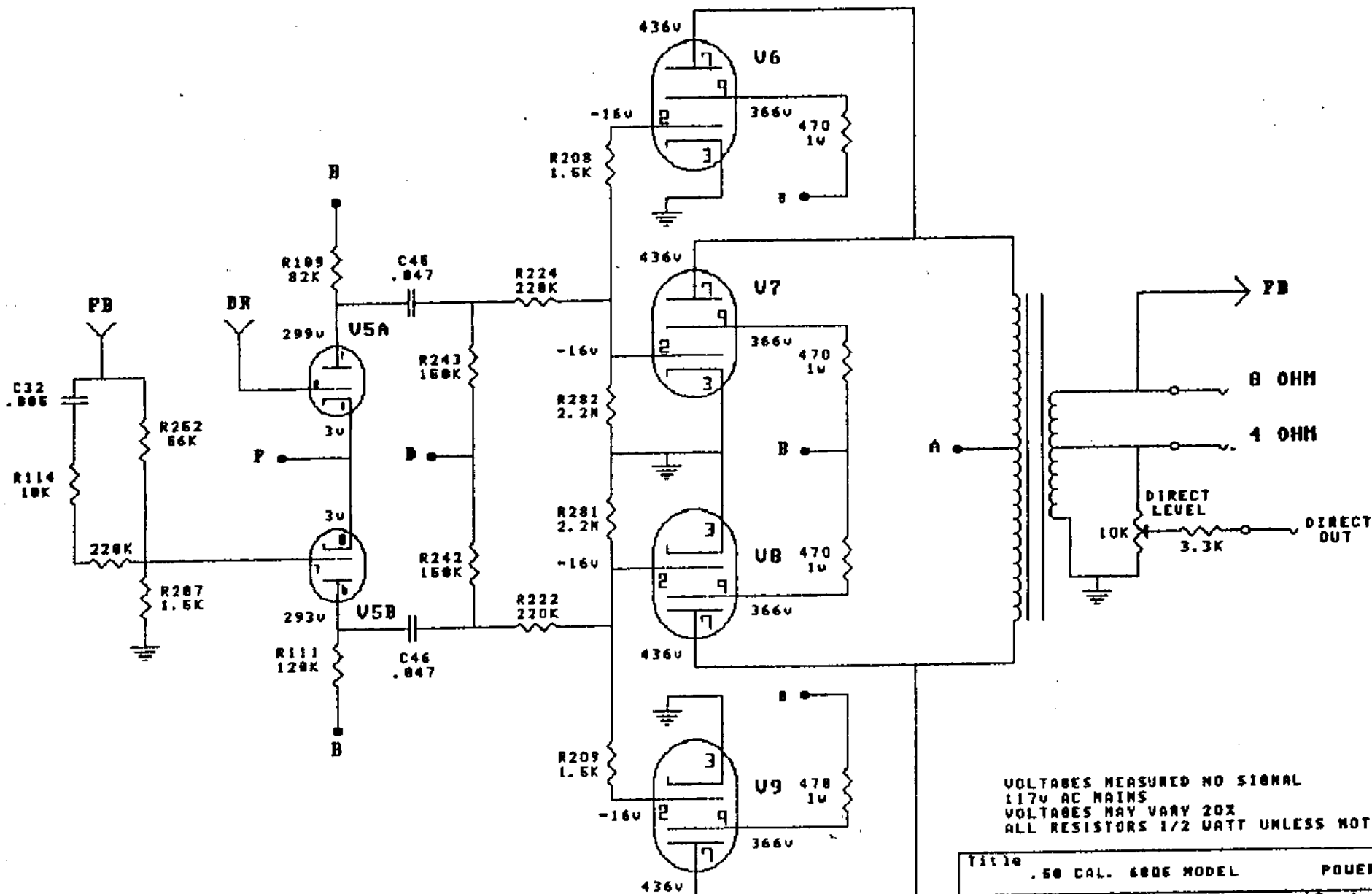
C R 14

TO DR (NO EQ)  
TO EQ



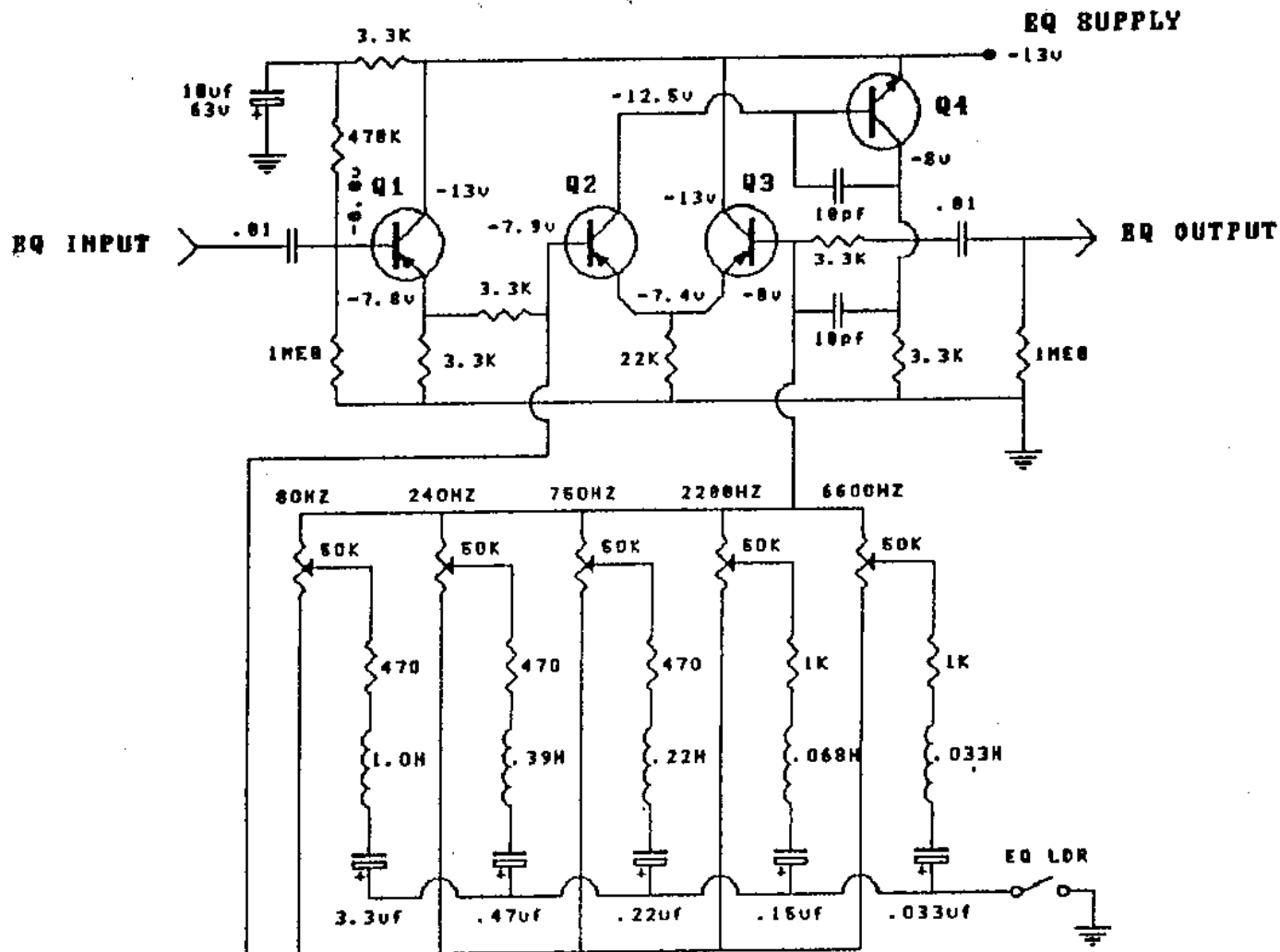
VOLTAGES MEASURED @ 117V AC MAINS NO SIGNAL  
DC VOLTAGES MAY VARY 20%  
ALL RESISTORS 1/2 WATT UNLESS NOTED

Title .50 CAL. 6BQ5 MODEL PREAMP		
Size A4	Number MDM-LD. MSTR	Revision
Date: 2-SEP-1992	Sheet 1 of	
File: 68_DSPRE/1	Drawn By: GEO. H.	



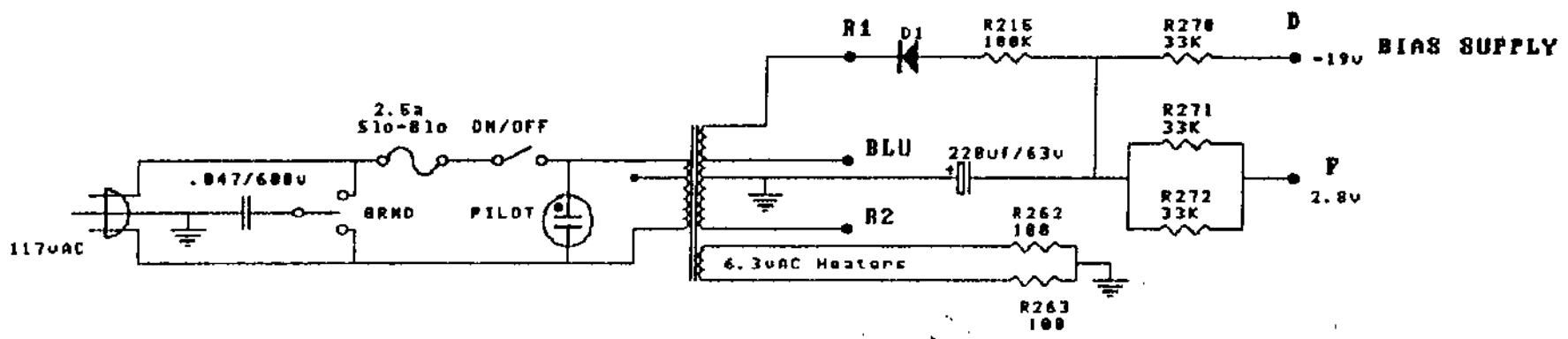
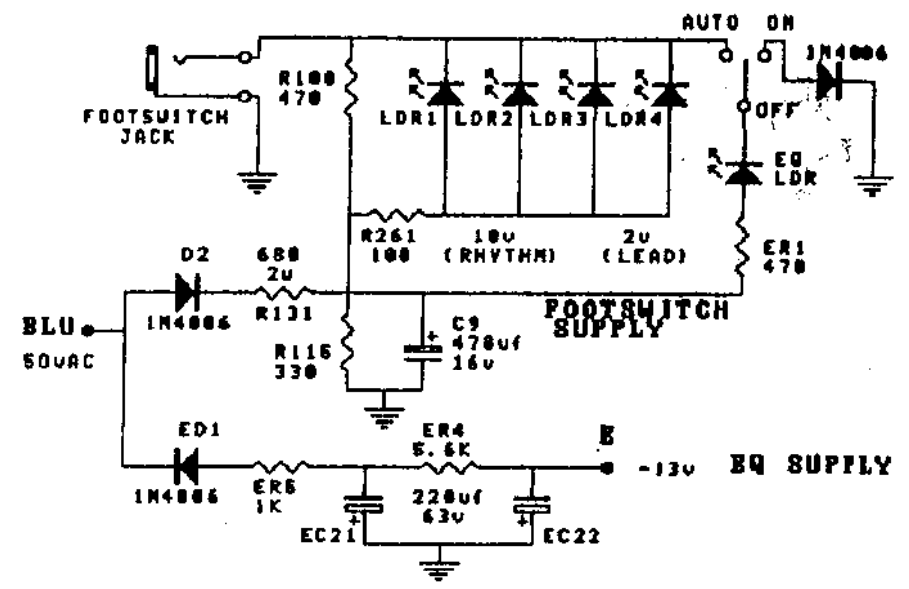
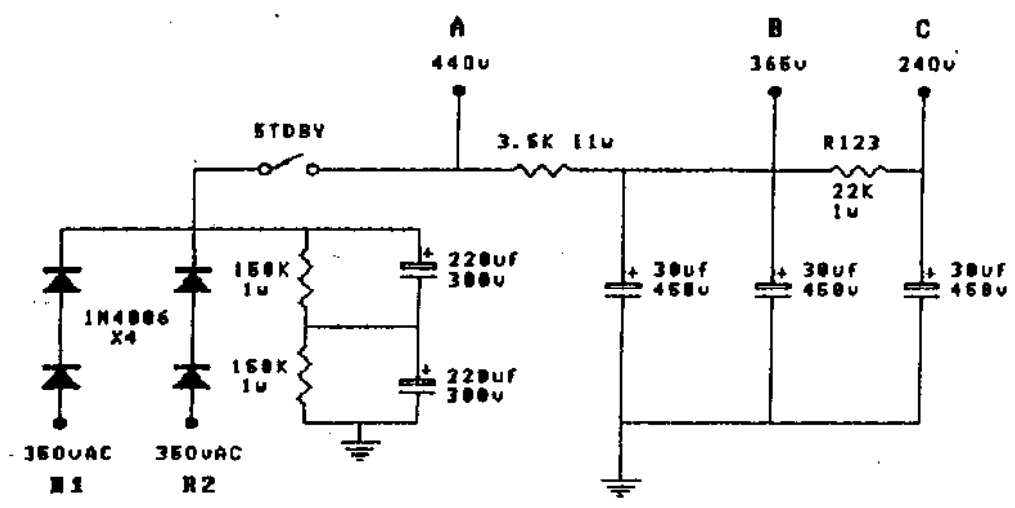
VOLTAGES MEASURED NO SIGNAL  
 117V AC MAINS  
 VOLTAGES MAY VARY 20%  
 ALL RESISTORS 1/2 WATT UNLESS NOTED

Title		.50 CAL. 6005 MODEL	POWER AMP
Size	Number	Revision	
A4			
Date:	22-MAY 1992	Sheet	of
File:	60_05PUR/1	Drawn By:	GEO. H



Title			GRAPHIC EQUALIZER		
Size	Number	.50 CAL 6805		Revision	
A4					
Date:	23-MAY 1992	Sheet	of		
File:	EQ/1	Drawn By:		GEO. A.	

219.



VOLTAGES MEASURED NO SIGNAL 117V AC MAINS  
 DC VOLTAGES MAY VARY 20%  
 ALL RESISTORS 1/2 WATT UNLESS NOTED

Title		
.58 CAL. 6BQ5 MODEL PWR. SUPPLY		
Size	Number	Revision
A4		
Date: 23-MAY 1962		Sheet of
File: 68_05SUP/1		Drawn By: GED. H.