

TRACE ELLIOT

SERVICE MANUAL

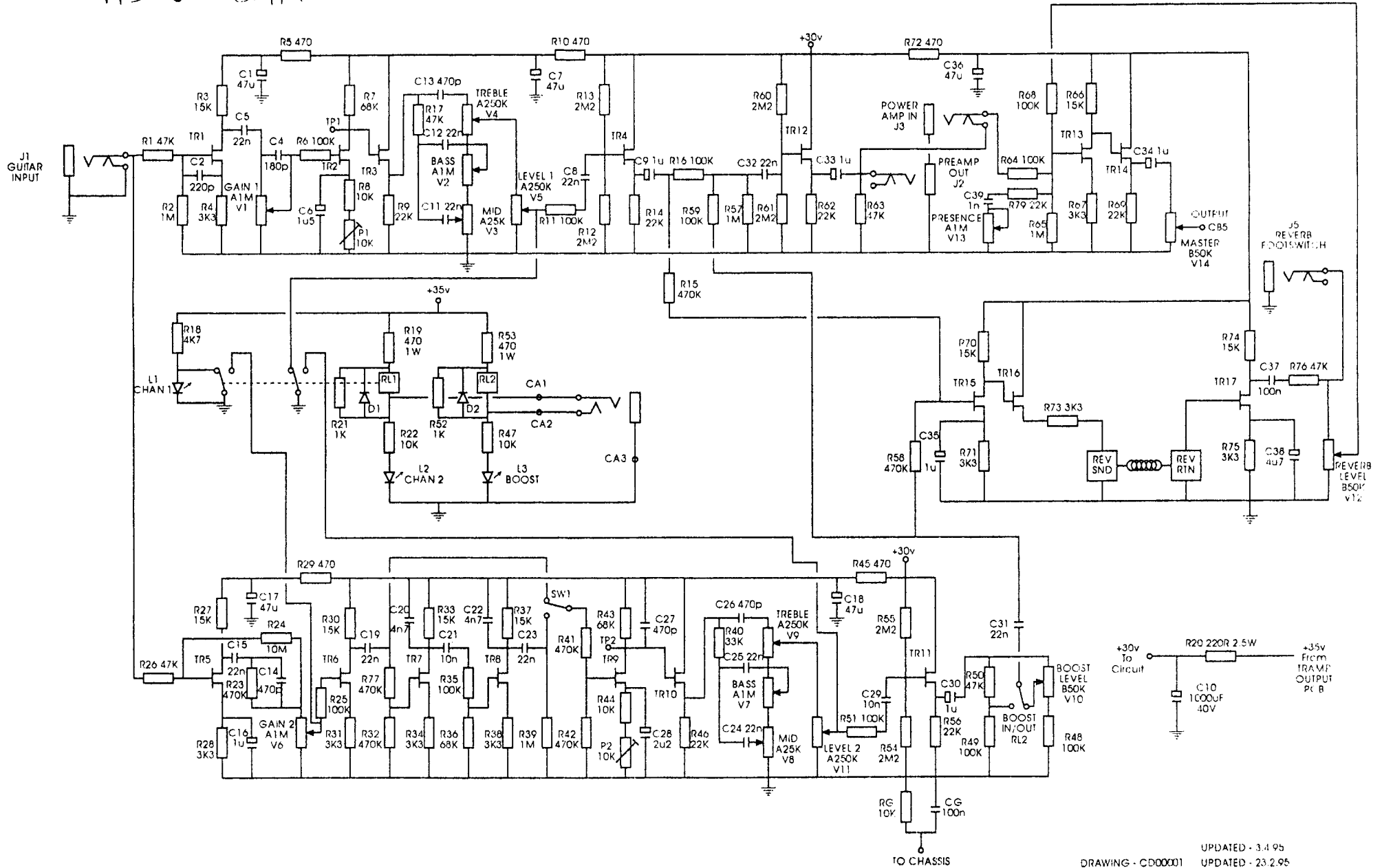
DATE : December 29, 1999

Product Code: N/A

Model Number : Tramp

Issued by:
Trace Elliot Limited
Blackwater Trading Estate
The Causeway
Maldon
Essex
England
CM4 4GG

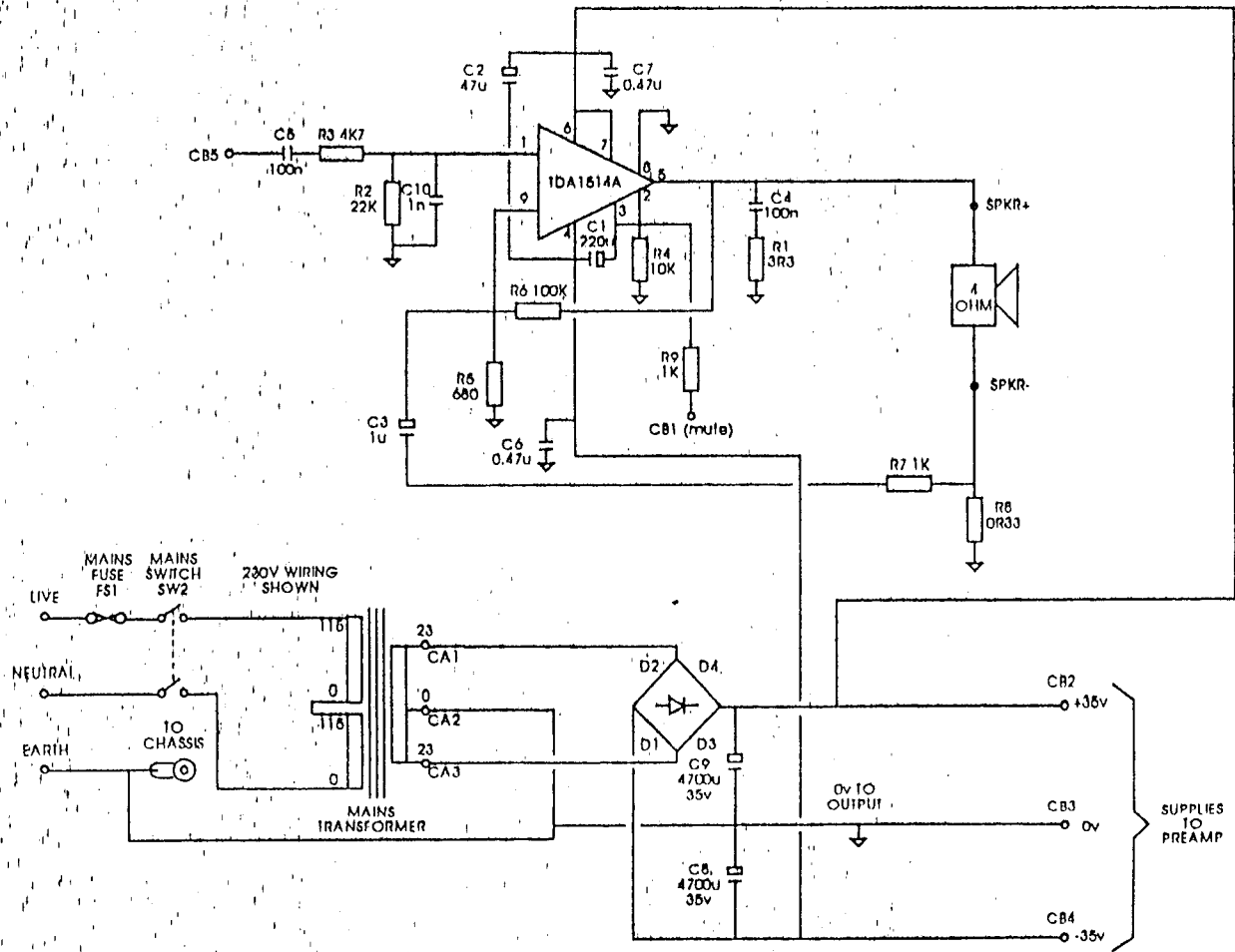
AS OF 3/4/95



DRAWING - CD00001

TRACE ELLIOT Ltd
 GALLIFORD ROAD
 MALDON, ESSEX,
 CM9 7XD, ENGLAND

TITLE:-		TRACE TRAMP CIRCUIT DIAGRAM	
DRAWN	C. BUTTON	DATE	6.6.94
DRG. No	TRAMP/1		

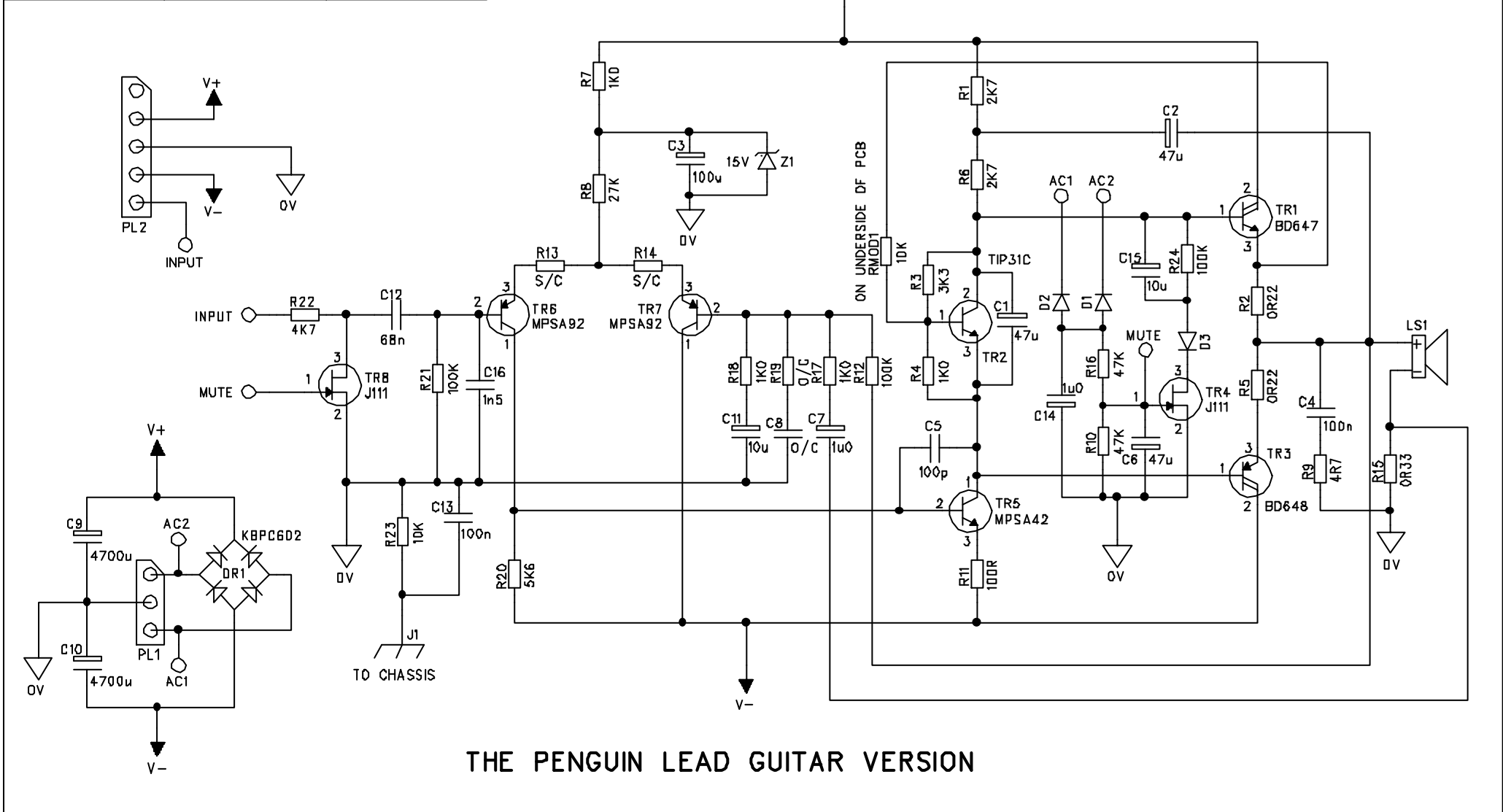


TRACE ELLIOT Ltd
 GALLIFORD ROAD
 MALDON, ESSEX,
 CM9 7XD, ENGLAND

TITLE:- Tramp OUTPUT & PSU
 CIRCUIT DIAGRAM

DRAWN	C.BUTTON	DATE	7.6.94	DRG.No.	Tramp/2
-------	----------	------	--------	---------	---------

ISSUE CHANGE DATE	NOTE	ISSUE CHANGE DATE	NOTE	ISSUE CHANGE DATE	NOTE



THE PENGUIN LEAD GUITAR VERSION

TITLE	NEW POWER OUTPUT STAGE	TRACE ELLIOT
PROJECT	TRAMP / TRAMP TSC	
DRAWING No	CD00026	TRACE ELLIOT LIMITED
ISSUE	3	MALDON ESSEX CM9 7GG
DATE	25/9/1996	ENGLAND
DRAWN BY	J B RECKLESS	TEL (01621) 855266
		FAX (01621) 851975