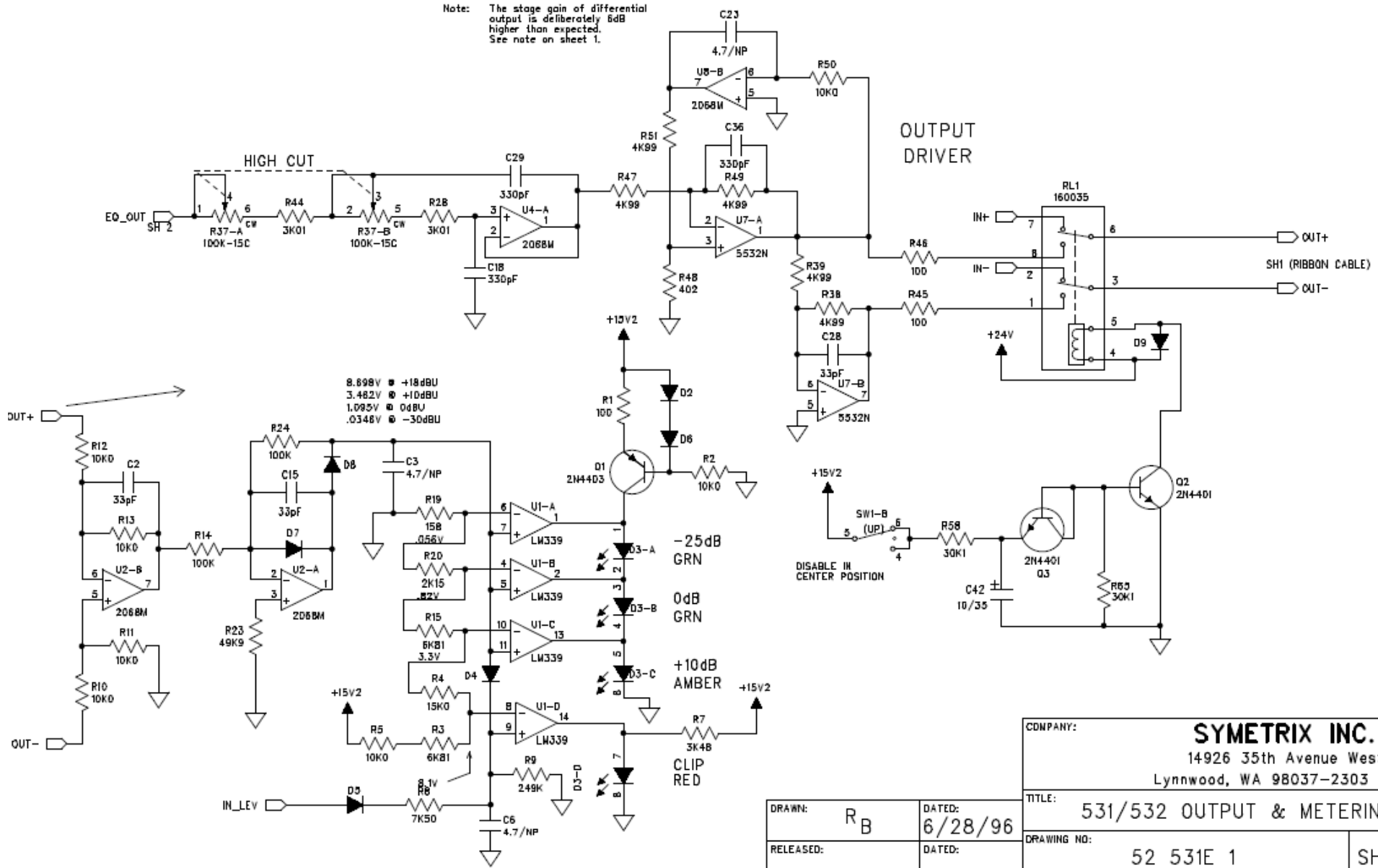


Note: The stage gain of differential output is deliberately 8dB higher than expected. See note on sheet 1.



COMPANY:		SYMETRIX INC.	
		14926 35th Avenue West Lynnwood, WA 98037-2303 USA	
DRAWN:	R B	DATED:	6/28/96
RELEASED:		DRAWING NO:	52 531E 1
		TITLE:	531/532 OUTPUT & METERING
		REV:	G.00
		SHEET: 3 OF 7	