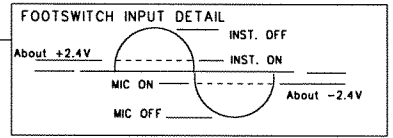
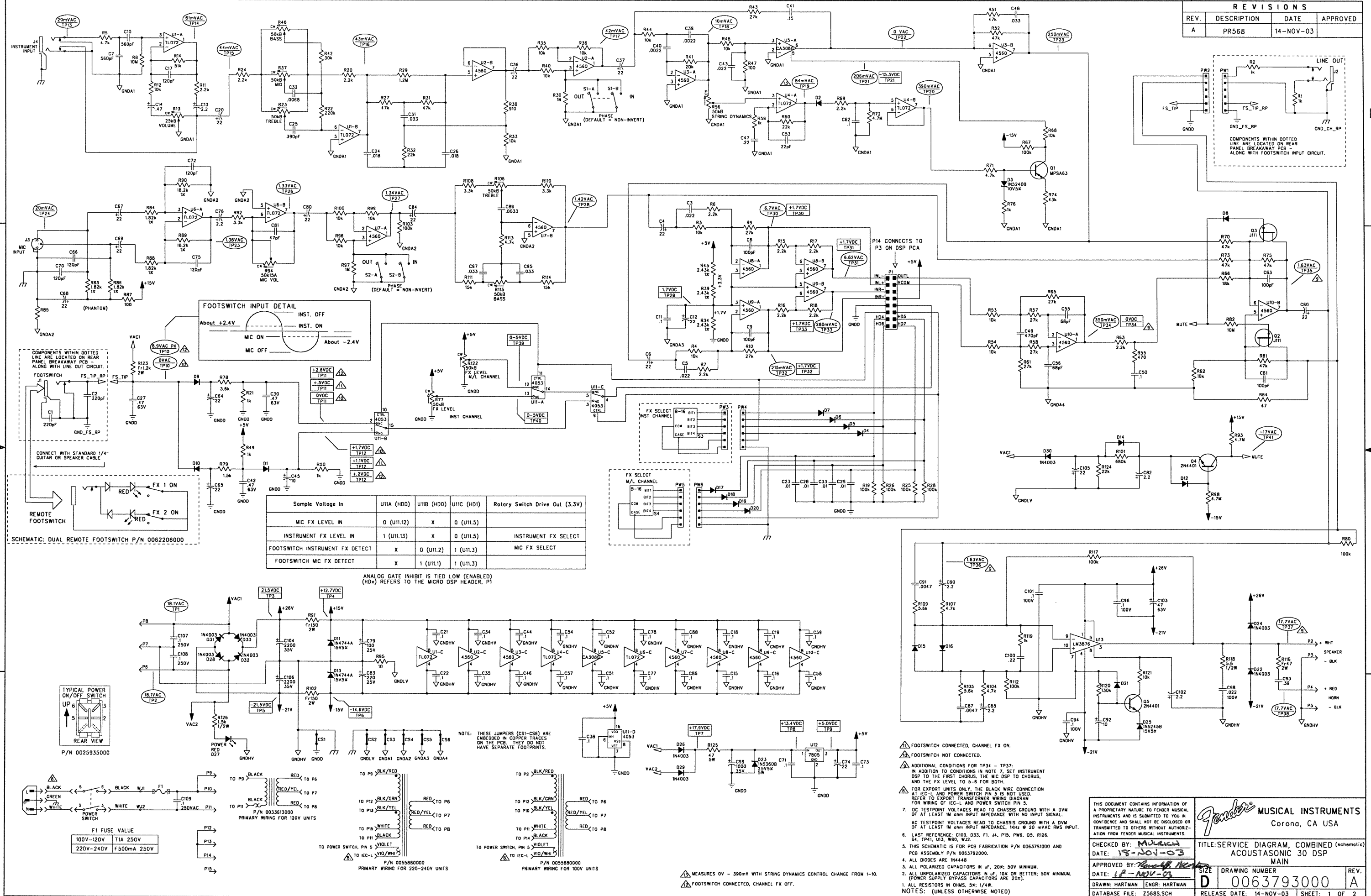
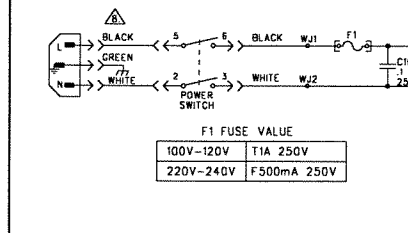
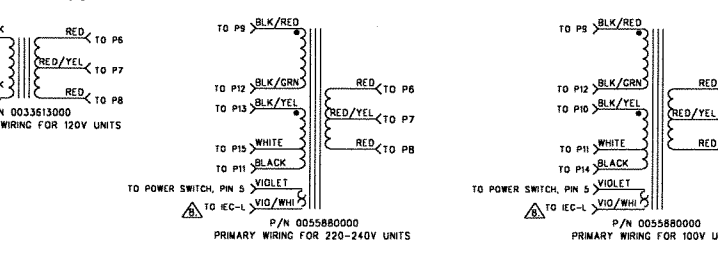
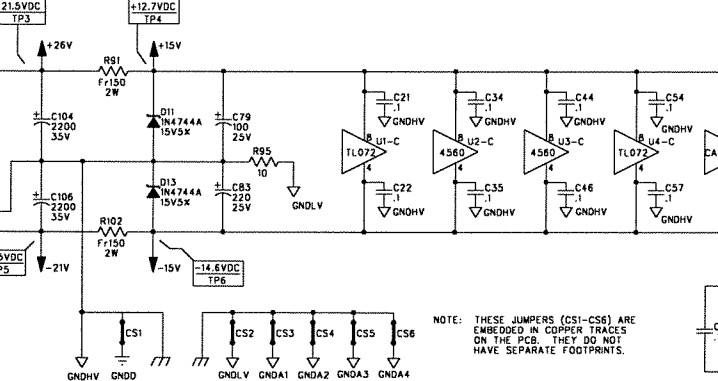


REVISIONS			
REV.	DESCRIPTION	DATE	APPROVED
A	PR56B	14-NOV-03	



Sample Voltage In	U11A (HD0)	U11B (HD0)	U11C (HD1)	Rotary Switch Drive Out (3.3V)
MIC FX LEVEL IN	0 (U11.12)	X	0 (U11.5)	
INSTRUMENT FX LEVEL IN	1 (U11.13)	X	0 (U11.5)	INSTRUMENT FX SELECT
FOOTSWITCH INSTRUMENT FX DETECT	X	0 (U11.2)	1 (U11.3)	MIC FX SELECT
FOOTSWITCH MIC FX DETECT	X	1 (U11.1)	1 (U11.3)	

ANALOG GATE INHIBIT IS TIED LOW (ENABLED)  
(HDx) REFERS TO THE MICRO DSP HEADER, P1



NOTE: THESE JUMPERS (CS1-CS6) ARE EMBEDDED IN COPPER TRACES ON THE PCB. THEY DO NOT HAVE SEPARATE FOOTPRINTS.

MEASURES 0V - 390mV WITH STRING DYNAMICS CONTROL CHANGE FROM 1-10.

FOOTSWITCH CONNECTED, CHANNEL FX ON.

FOOTSWITCH NOT CONNECTED.

- ADDITIONAL CONDITIONS FOR TP34 - TP37: IN ADDITION TO CONDITIONS IN NOTE 7, SET INSTRUMENT DSP TO THE FIRST CHORDS, THE MIC DSP TO CHORDS, AND THE FX LEVEL TO 5-6 FOR BOTH.
- FOR EXPORT UNITS ONLY, THE BLACK WIRE CONNECTION AT IC-1, AND POWER SWITCH PIN 3 IS NOT USED. REFER TO EXPORT TRANSFORMER WIRING DIAGRAM FOR WIRING OF IC-1 AND POWER SWITCH PIN 3.
- DC TESTPOINT VOLTAGES READ TO CHASSIS GROUND WITH A DVM OF AT LEAST 1M OHM INPUT IMPEDANCE WITH NO INPUT SIGNAL.
- AC TESTPOINT VOLTAGES READ TO CHASSIS GROUND WITH A DVM OF AT LEAST 1M OHM INPUT IMPEDANCE, 1kHz @ 20 mVAC RMS INPUT.
- LAST REFERENCE: C109, D33, F1, J4, P15, PWE, Q3, R126, S4, TP41, U13, W90, W22.
- THIS SCHEMATIC IS FOR PCB FABRICATION P/N 0063791000 AND PCB ASSEMBLY P/N 0063792000.
- ALL DIODES ARE 1N4448
- ALL POLARIZED CAPACITORS IN uF, 20% SOV MINIMUM.
- ALL UNPOLARIZED CAPACITORS IN uF, 10% OR BETTER; 50V MINIMUM. (POWER SUPPLY BYPASS CAPACITORS ARE 20%).
- ALL RESISTORS IN OHMS, 5% 1/4W.
- NOTES: (UNLESS OTHERWISE NOTED)

THIS DOCUMENT CONTAINS INFORMATION OF A PROPRIETARY NATURE TO FENDER MUSICAL INSTRUMENTS AND IS SUBMITTED TO YOU IN CONFIDENCE AND SHALL NOT BE DISCLOSED OR TRANSMITTED TO OTHERS WITHOUT AUTHORIZATION FROM FENDER MUSICAL INSTRUMENTS.

**Fender** MUSICAL INSTRUMENTS  
Corona, CA USA

CHECKED BY: *M. J. ...*  
DATE: 18-NOV-03  
APPROVED BY: *[Signature]*  
DATE: 18-NOV-03

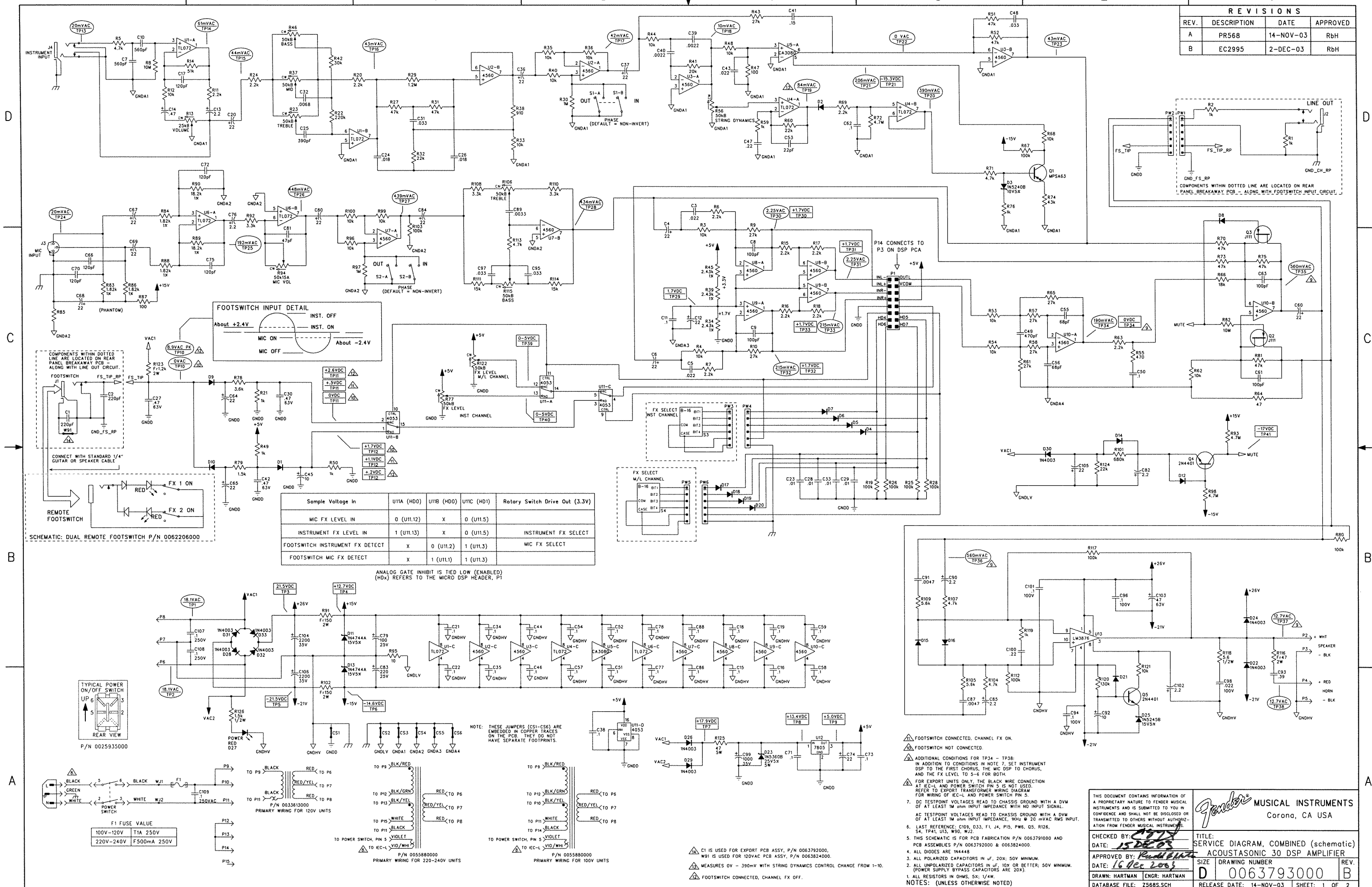
TITLE: SERVICE DIAGRAM, COMBINED (schematic)  
ACOUSTASONIC 30 DSP MAIN

DRAWN: HARTMAN ENGR: HARTMAN  
DATABASE FILE: Z56BS.SCH

SIZE: 0063793000  
RELEASE DATE: 14-NOV-03

REV. A  
SHEET: 1 OF 2

REVISIONS			
REV.	DESCRIPTION	DATE	APPROVED
A	PR568	14-NOV-03	RbH
B	EC2995	2-DEC-03	RbH



Sample Voltage In	U11A (HD0)	U11B (HD0)	U11C (HD1)	Rotary Switch Drive Out (3.3V)
MIC FX LEVEL IN	0 (U11.12)	X	0 (U11.5)	
INSTRUMENT FX LEVEL IN	1 (U11.13)	X	0 (U11.5)	INSTRUMENT FX SELECT
FOOTSWITCH INSTRUMENT FX DETECT	X	0 (U11.2)	1 (U11.3)	MIC FX SELECT
FOOTSWITCH MIC FX DETECT	X	1 (U11.1)	1 (U11.3)	

ANALOG GATE INHIBIT IS TIED LOW (ENABLED) (HDx) REFERS TO THE MICRO DSP HEADER, P1

F1 FUSE VALUE
100V-120V T1A 250V
220V-240V F500mA 250V

THIS DOCUMENT CONTAINS INFORMATION OF A PROPRIETARY NATURE TO FENDER MUSICAL INSTRUMENTS AND IS SUBMITTED TO YOU IN CONFIDENCE AND SHALL NOT BE DISCLOSED OR TRANSMITTED TO OTHERS WITHOUT AUTHORIZATION FROM FENDER MUSICAL INSTRUMENTS.

**Fender** MUSICAL INSTRUMENTS  
Corona, CA USA

CHECKED BY: *[Signature]* DATE: 15 Dec 03  
 TITLE: SERVICE DIAGRAM, COMBINED (schematic)  
 APPROVED BY: *[Signature]* DATE: 16 Dec 2003  
 DRAWN: HARTMAN ENGR: HARTMAN  
 DATABASE FILE: Z568S.SCH

DATE: 15 Dec 03  
 TITLE: SERVICE DIAGRAM, COMBINED (schematic)  
 APPROVED BY: *[Signature]* DATE: 16 Dec 2003  
 DRAWN: HARTMAN ENGR: HARTMAN  
 DATABASE FILE: Z568S.SCH

SIZE: DRAWING NUMBER  
 D 0063793000  
 RELEASE DATE: 14-NOV-03 SHEET: 1 OF 2

- FOOTSWITCH CONNECTED, CHANNEL FX DN.
- FOOTSWITCH NOT CONNECTED.
- ADDITIONAL CONDITIONS FOR TP34 - TP38: IN ADDITION TO CONDITIONS IN NOTE 7, SET INSTRUMENT DSP TO THE FIRST CHORUS, THE MIC DSP TO CHORUS, AND THE FX LEVEL TO 5-6 FOR BOTH.
- FOR EXPORT UNITS ONLY, THE BLACK WIRE CONNECTION AT IEC-1 AND POWER SWITCH PIN 5 IS NOT USED. REFER TO EXPORT TRANSFORMER WIRING DIAGRAM FOR WIRING OF IEC-1 AND POWER SWITCH PIN 5.
- DC TESTPOINT VOLTAGES READ TO CHASSIS GROUND WITH A DVM OF AT LEAST 1M ohm INPUT IMPEDANCE, 100Hz @ 20 mVAC RMS INPUT.
- AC TESTPOINT VOLTAGES READ TO CHASSIS GROUND WITH A DVM OF AT LEAST 1M ohm INPUT IMPEDANCE, 100Hz @ 20 mVAC RMS INPUT.
- LAST REFERENCE: C109, D33, F1, J4, P15, P16, Q5, R126, S4, TP41, U13, W90, W92.
- THIS SCHEMATIC IS FOR PCB FABRICATION P/N 0063793000 AND PCB ASSEMBLIES P/N 0063792000 & 0063824000.
- ALL DIODES ARE 1N4448.
- ALL POLARIZED CAPACITORS IN uF, 20%; 50V MINIMUM.
- ALL UNPOLARIZED CAPACITORS IN uF, 10% OR BETTER; 50V MINIMUM. (POWER SUPPLY BYPASS CAPACITORS ARE 20%).
- ALL RESISTORS IN OHMS, 5%; 1/4W.
- NOTES: (UNLESS OTHERWISE NOTED)

- C1 IS USED FOR EXPORT PCB ASSY, P/N 0063792000.
- W91 IS USED FOR 120VAC PCB ASSY, P/N 0063824000.
- MEASURES DV - 390mV WITH STRING DYNAMICS CONTROL CHANGE FROM 1-10.
- FOOTSWITCH CONNECTED, CHANNEL FX OFF.