

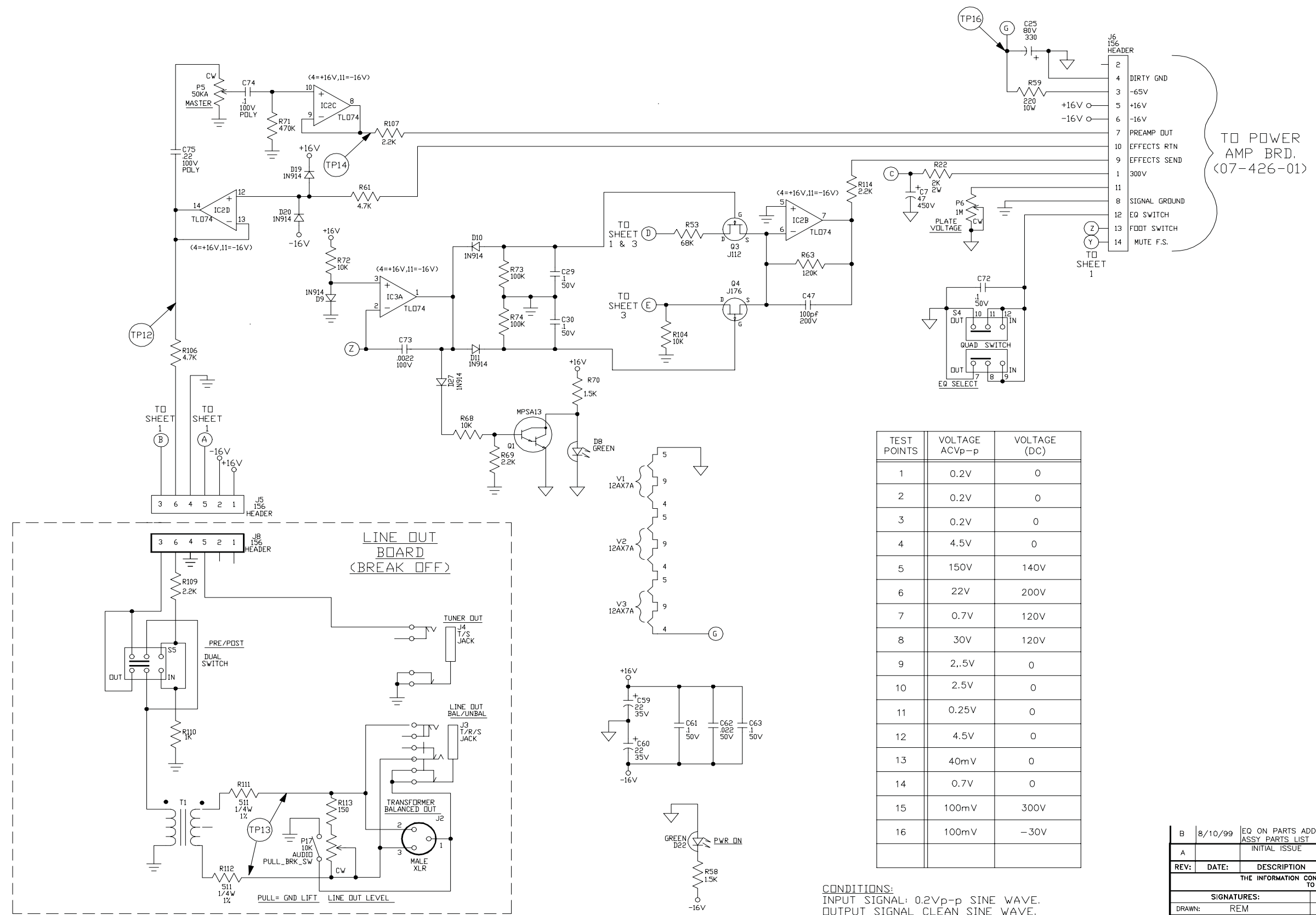


- NOTES**
- 1) CAUTION: SHOCK HAZARD!! THIS UNIT CONTAINS HAZARDOUS VOLTAGE. DISCONNECT POWER AND BE SURE POWER SUPPLY IS DISCHARGED BEFORE TOUCHING INTERNAL PARTS.
 - 2) UNLESS NOTED, RESISTOR VALUES IN OHMS, 1/4W-5% TOL. CAPACITOR VALUES IN MICROFARADS, 50V-10% TOL.
 - 3) VOLTAGES ARE MEASURED WITH 1 MEGOHM OSCILLOSCOPE AND 10 MEGOHM DIGITAL VOLTMETER.
 - 4) CHASSIS GROUND --- DIRTY GROUND --- SIGNAL GROUND ---

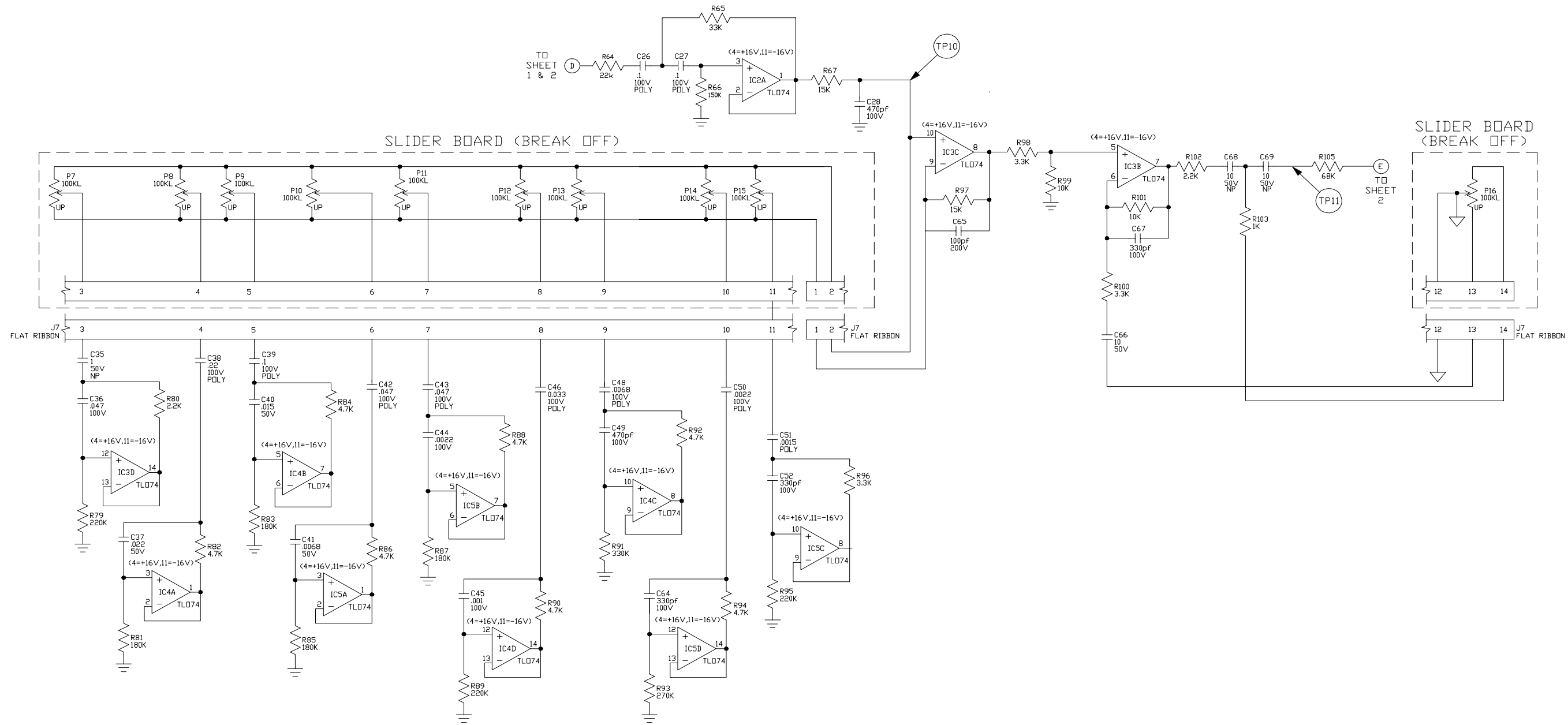
| | | | | | | |
|---|---------|--------------------------------------|-------------|--|------------|-------|
| B | 8/10/99 | EQ ON PARTS ADDED TO ASSY PARTS LIST | RO0131 | REM | | |
| A | | INITIAL ISSUE | | | | |
| REV: | DATE: | DESCRIPTION | ECR/ECN NO: | CHNG'D BY: | APPR'D BY: | DATE: |
| THE INFORMATION CONTAINED ON THIS DRAWING IS PROPRIETARY TO ST. LOUIS MUSIC, INC. | | | | | | |
| SIGNATURES: | | DATE: | |  3/10/99 | | |
| DRAWN: REM | | DATE: 3/10/99 | |  11880 Borman Dr. St. Louis, Missouri 63146 | | |
| CHK'D: | | FIRST USED ON: | | SVT3PROa | | |
| RLS'D: | | DRAWING TITLE: | | SCHEMATIC - PREAMP | | |
| TOLERANCES: | | DRAWING SIZE: D | | DRAWING NO.: | | |
| | | DRAWING TYPE: SCHEMATIC | | 07S534-XX | | |
| | | CLASS CODE: | | DRAWING NO.: | | |
| | | SCALE: NONE | | SHEET: 1 OF 3 | | |



| TEST POINTS | VOLTAGE ACVp-p | VOLTAGE (DC) |
|-------------|----------------|--------------|
| 1 | 0.2V | 0 |
| 2 | 0.2V | 0 |
| 3 | 0.2V | 0 |
| 4 | 4.5V | 0 |
| 5 | 150V | 140V |
| 6 | 22V | 200V |
| 7 | 0.7V | 120V |
| 8 | 30V | 120V |
| 9 | 2.5V | 0 |
| 10 | 2.5V | 0 |
| 11 | 0.25V | 0 |
| 12 | 4.5V | 0 |
| 13 | 40mV | 0 |
| 14 | 0.7V | 0 |
| 15 | 100mV | 300V |
| 16 | 100mV | -30V |

| | | | | | | |
|---|---------|--------------------------------------|-------------|--|------------|-------|
| B | 8/10/99 | EQ ON PARTS ADDED TO ASSY PARTS LIST | RO0131 | REM | | |
| A | | INITIAL ISSUE | | | | |
| REV: | DATE: | DESCRIPTION | ECR/ECN NO: | CHNG'D BY: | APPR'D BY: | DATE: |
| THE INFORMATION CONTAINED ON THIS DRAWING IS PROPRIETARY TO ST. LOUIS MUSIC, INC. | | | | | | |
| SIGNATURES: | | DATE: | | | | |
| DRAWN: REM | | 3/10/99 | | 11880 Borman Dr. St. Louis, Missouri 63146 | | |
| CHK'D: | | | | FIRST USED ON: SVT3PROa | | |
| RLS'D: | | | | DRAWING TITLE: SCHEMATIC - PREAMP | | |
| TOLERANCES: | | DRAWING SIZE: D | | DRAWING NO.: 07S534-XX | | |
| | | DRAWING TYPE: SCHEMATIC | | | | |
| | | CLASS CODE: | | | | |
| | | SCALE: NONE | | SHEET: 2 OF 3 | | |

CONDITIONS:
 INPUT SIGNAL: 0.2Vp-p SINE WAVE.
 OUTPUT SIGNAL CLEAN SINE WAVE.
 LINE OUTPUT CONTROL @ "10".
 PRE/POST "OUT"



| | | | | | | |
|---|---------|--------------------------------------|-------------|--|------------|-------|
| B | 8/10/99 | EQ ON PARTS ADDED TO ASSY PARTS LIST | RO0131 | REM | | |
| A | | INITIAL ISSUE | | | | |
| REV: | DATE: | DESCRIPTION | ECR/ECN NO: | CHNG'D BY: | APPR'D BY: | DATE: |
| THE INFORMATION CONTAINED ON THIS DRAWING IS PROPRIETARY TO ST. LOUIS MUSIC, INC. | | | | | | |
| SIGNATURES: | | DATE: | | | | |
| DRAWN: REM | | 3/10/99 | | 11880 Borman Dr. St. Louis, Missouri 63146 | | |
| CHK'D: | | | | FIRST USED ON: | | |
| RLS'D: | | | | SVT3PROa | | |
| DRAWING TITLE: | | SCHEMATIC - PREAMP | | | | |
| DRAWING NO.: | | 07S534-XX | | | | |
| TOLERANCES: | | DRAWING SIZE: D | | CLASS CODE: | | |
| | | DRAWING TYPE: SCHEMATIC | | SCALE: NONE | | |
| | | SHEET: 3 | | OF 3 | | |