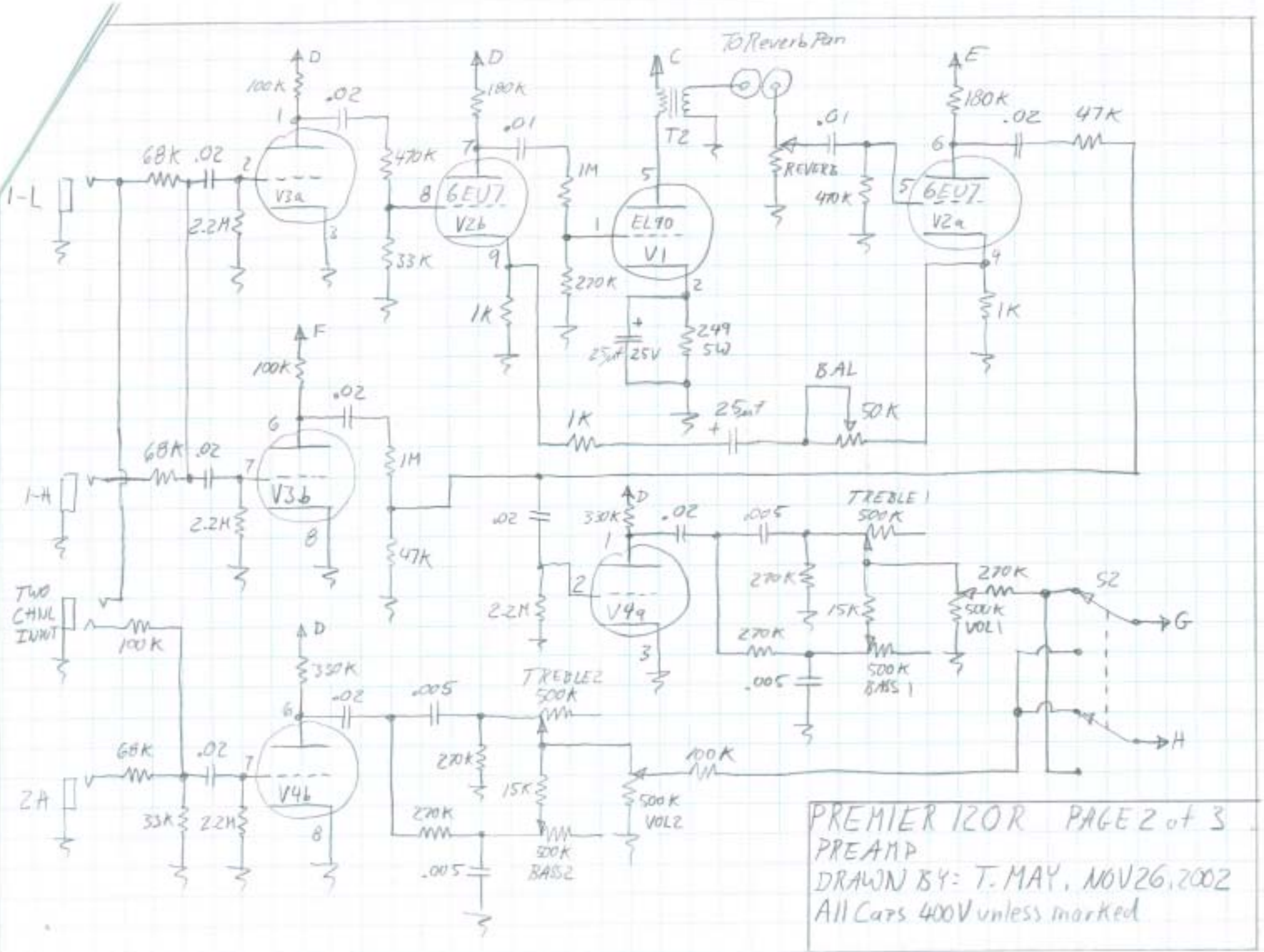
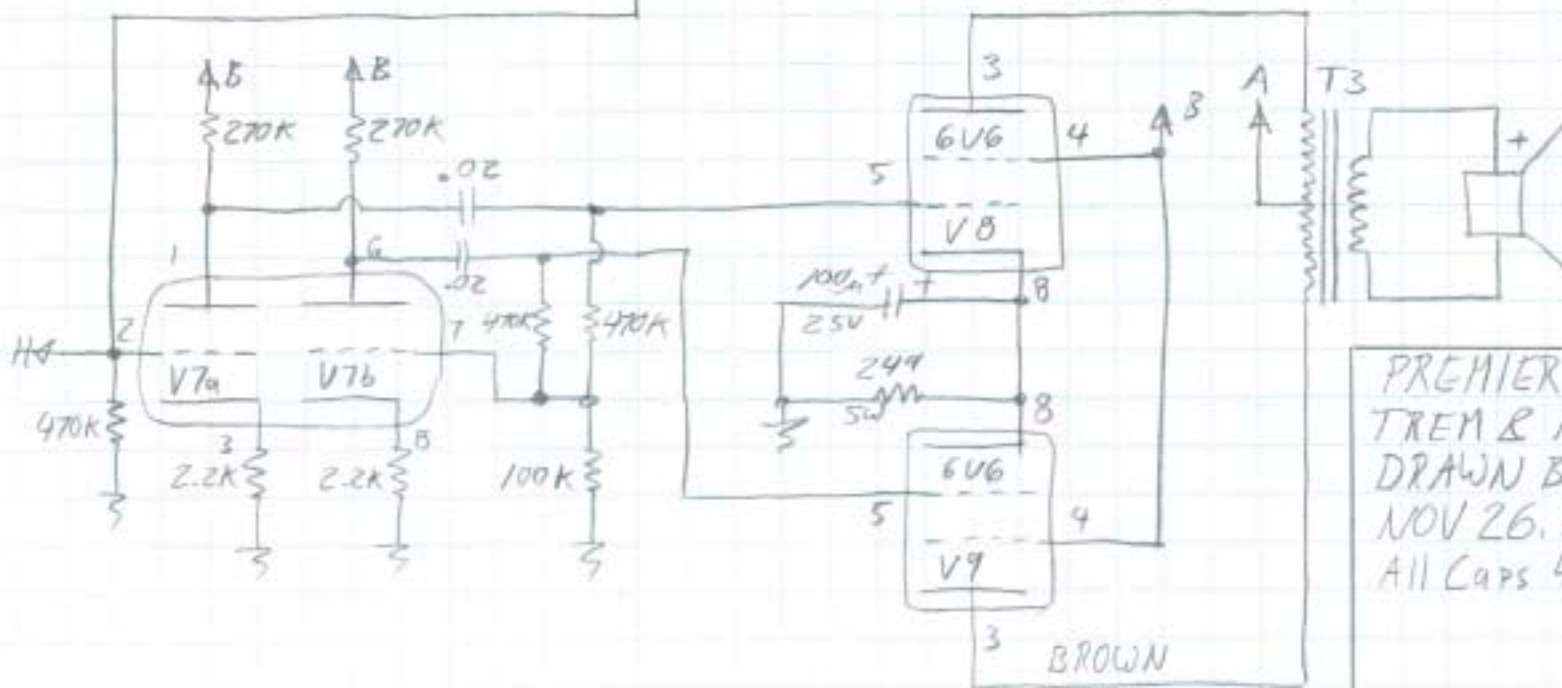
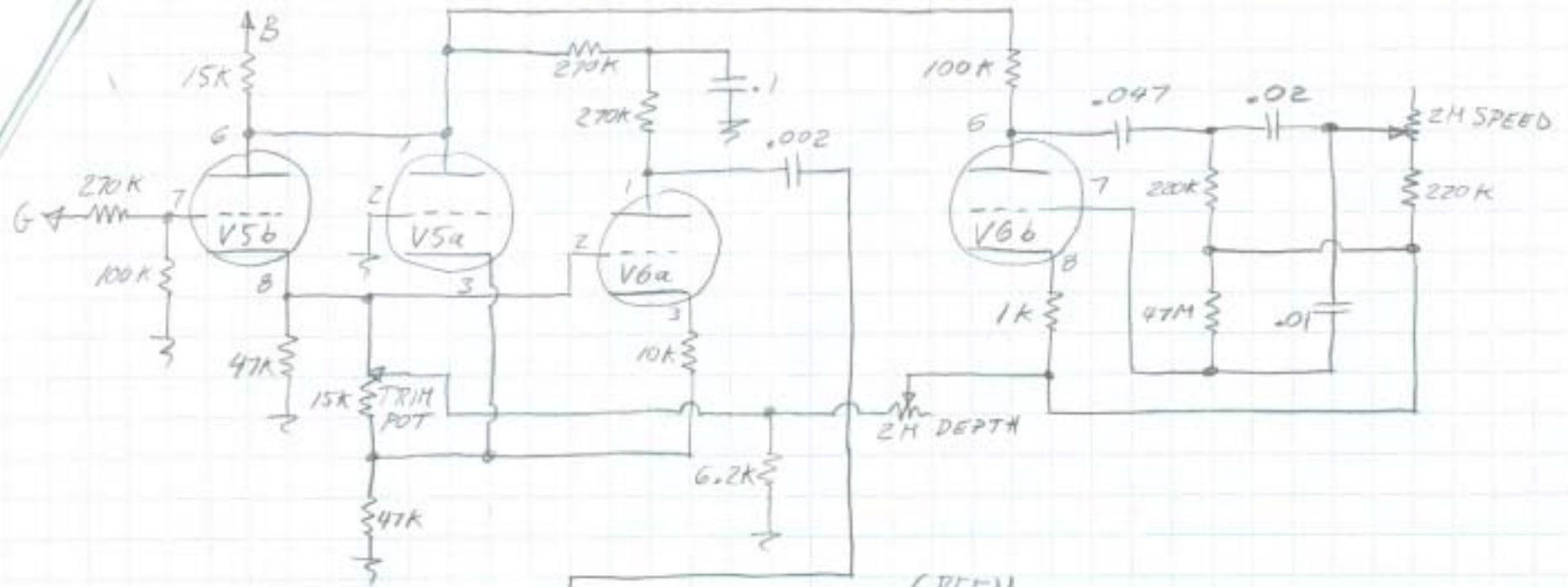


PREMIER 120 R PAGE 1 of 3
 POWER SUPPLY
 DRAWN BY: T. MAY, NOV 26, 2002
 Notes: 'A' - Original Resistor Cut Away



PREMIER 120R PAGE 2 of 3
PREAMP
DRAWN BY: T. MAY, NOV 26, 2002
All Caps 400V unless marked



PREMIER 120R PAGES 1/3
 TREN & POWER AMP
 DRAWN BY: T. MAY
 NOV 26, 2002
 All Caps 400V unless marked