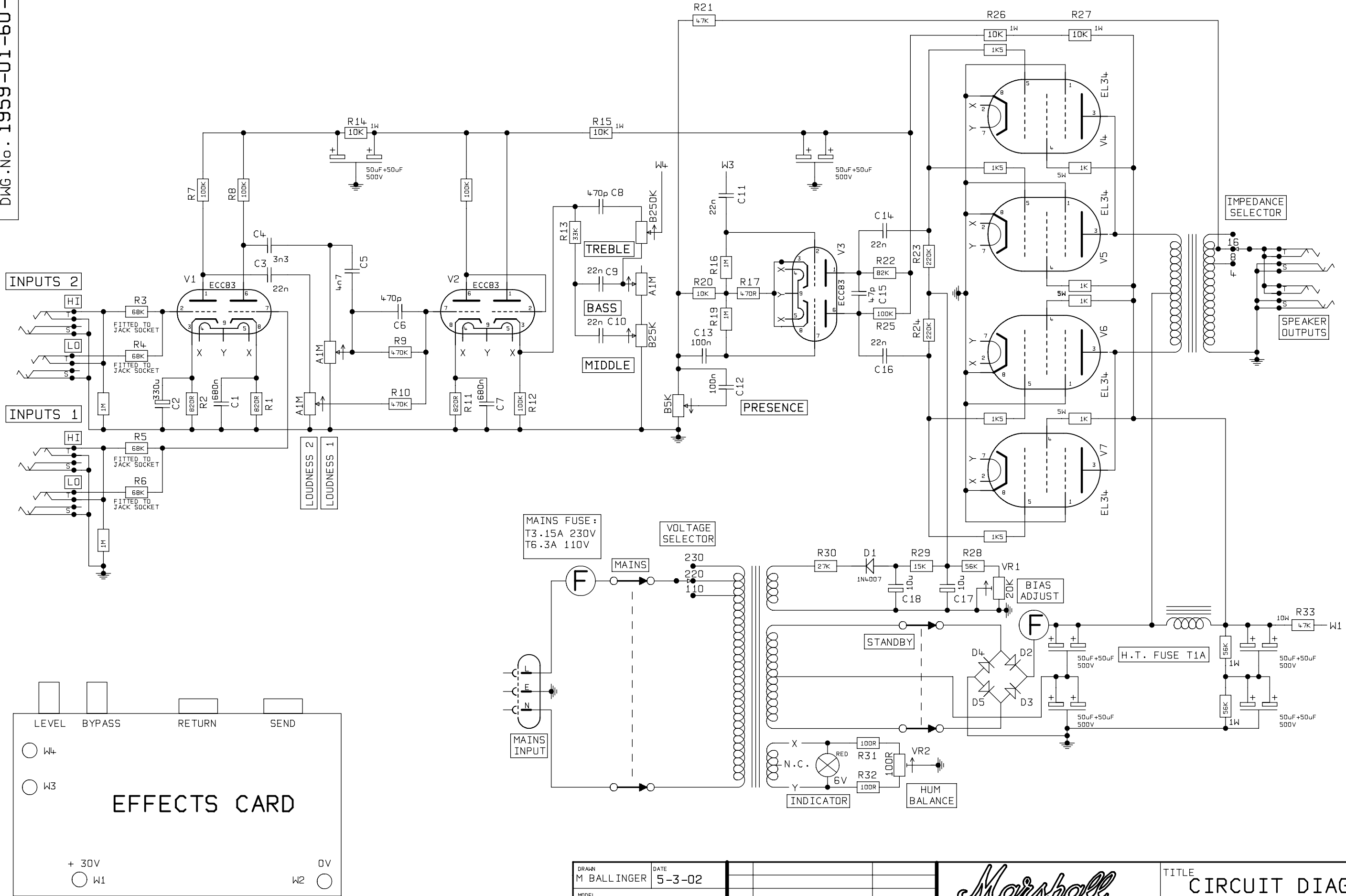


A black Marshall amplifier with a gold control panel. The Marshall logo is in the center. The control panel includes two input jacks, a power switch, seven knobs, and four output jacks. A power cord is attached to the top.

Marshall



DWG.No . 1959-01-60-02

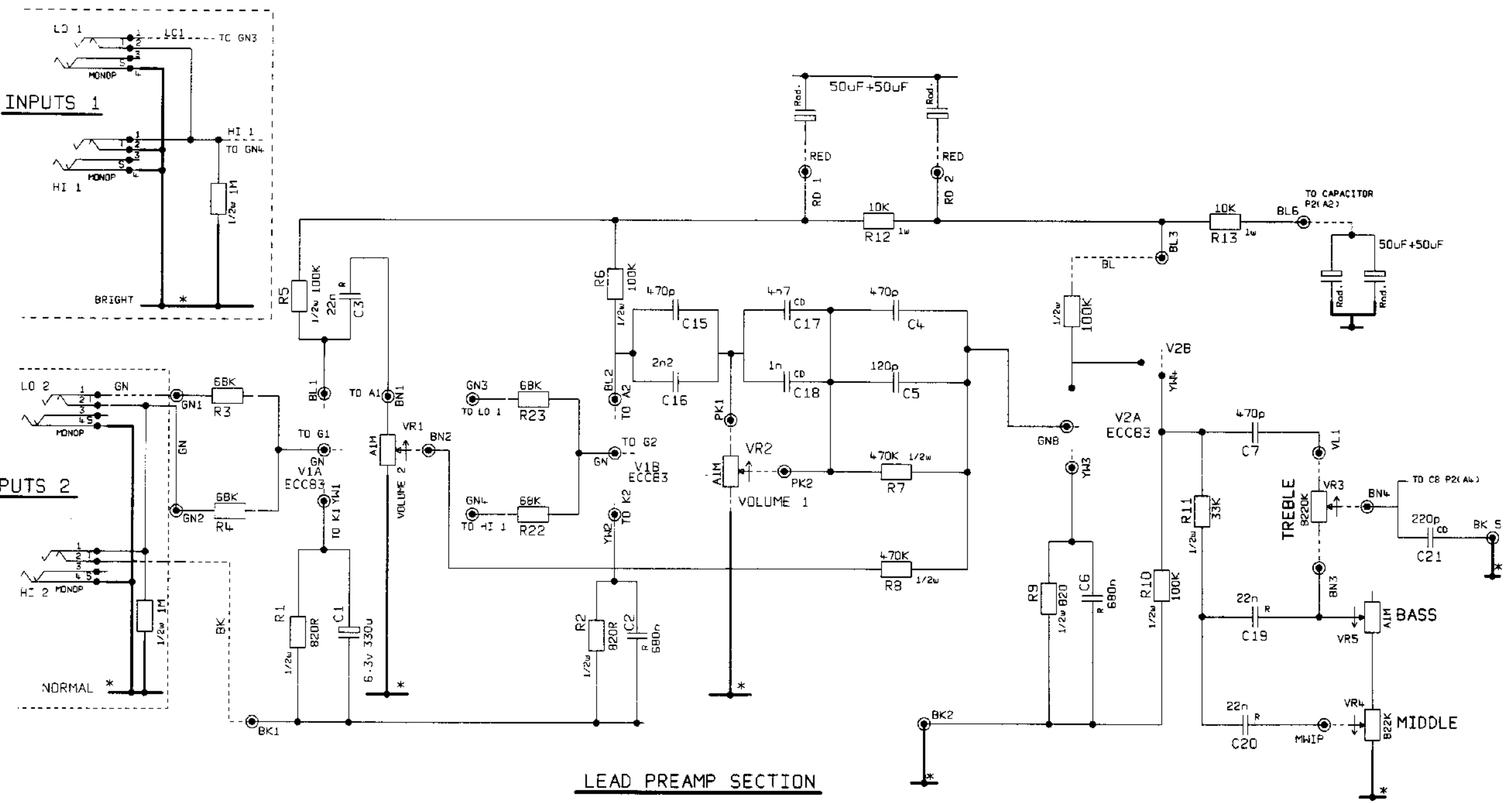


DRAWN M BALLINGER	DATE 5-3-02		
MODEL 1959SLP-01	ISS 2	ECO NUMBER 2100	DATE 28-3-02



TITLE CIRCUIT DIAG.	ISS 2
DWG.No 1959-01-60-02	

DWG. No. 59X-60-02



LEAD PREAMP SECTION

NOTES

DASHED LINES DENOTE WIRES OFF FROM THE PCB.
P2 (A5) * PAGE NO & GRID REF.
GND'S MARKED * ARE POT BUS GND.

7	0603	18/4/94	
6	0515	24/1/94	A
5	0394	06/8/93	B
4	0348	13/5/93	C
3	0335	19/4/93	D
2	0299	5-2-93	E
1	MANUFACTURE RELEASE		F
ISS	ECO NUMBER	DATE	G

UNSPECIFIED HOLE DATA	
	H
	J
	K
	L
	M
	N
	P

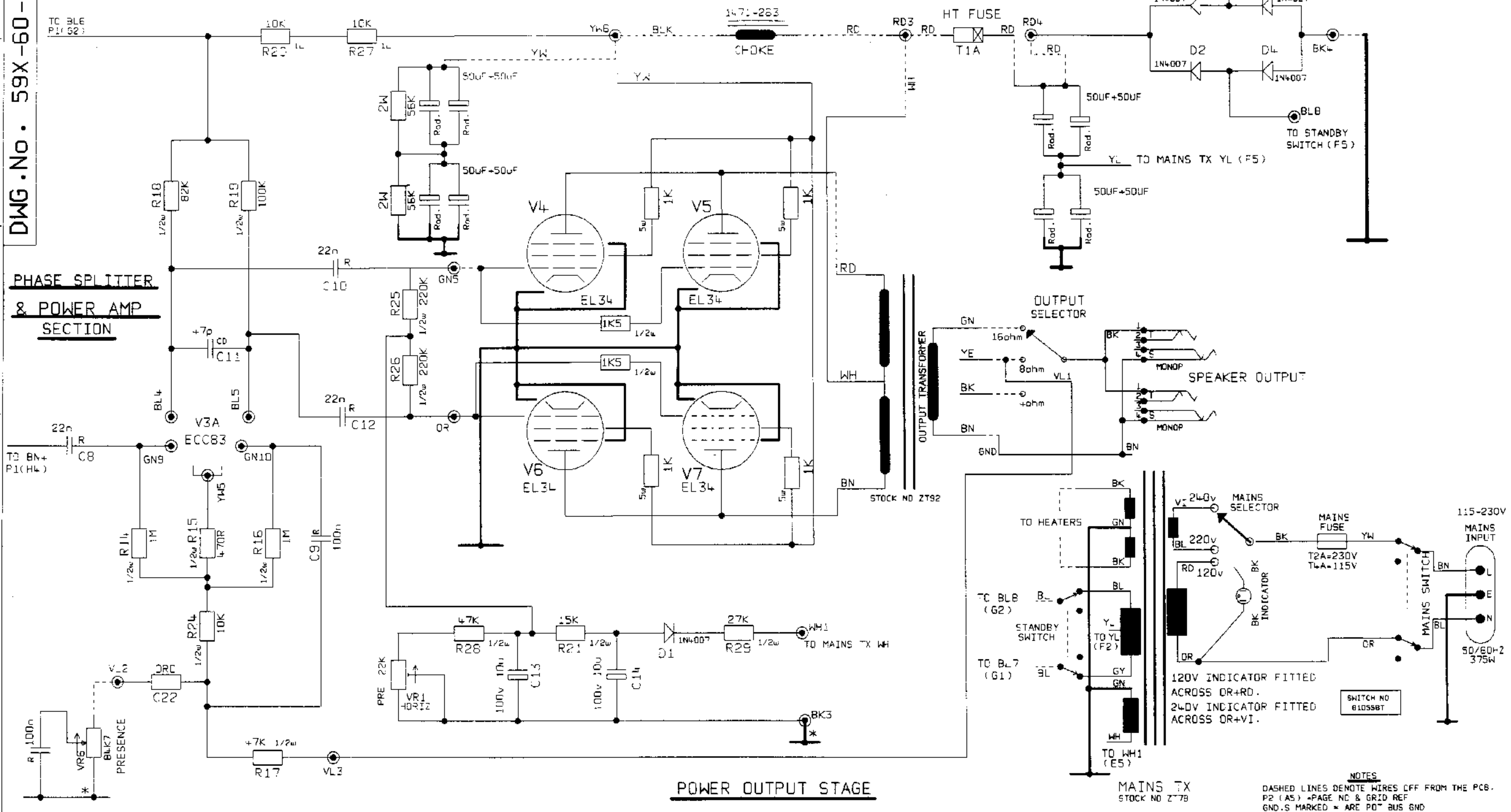
MATERIAL	
MATERIAL THICKNESS	
INTERNAL BEND RADIUS	
EXTERNAL B/A	
BEND DIE	
DRAWN T.FOY	DATE 27/08/92
CHECKED	DATE
APPROVED	DATE

DIMENSIONS IN	
TOLERANCE (UNLESS OTHERWISE STATED):	
DIMENSIONAL	
CENTRES	
ANGULAR	
MODEL	
1959SLP	

Marshall

COPYRIGHT EXISTS ON THIS DOCUMENT. IT MUST NOT BE USED FOR ANY PURPOSE THAN THAT FOR WHICH IT IS SUPPLIED AND MUST NOT BE REPRODUCED OR IN PART WITHOUT WRITTEN PERMISSION FROM
© MARSHALL AMPLIFICATION PLC
DENBIGH ROAD, BLETCHLEY, MILTON KEYNES, MK1 1QG.
TEL (0908)375411 FAX (0908)375118

TITLE	
CCT DIAGRAM	
1 OF 2	A3
DWG. No	ISSUE
59X-60-02	7



NOTES
DASHED LINES DENOTE WIRES OFF FROM THE PCB.
P2 (A5) -PAGE NC & GRID REF
GND.S MARKED * ARE POT BUS GND

ISS	ECO NUMBER	DATE	G
7	0603	18/4/94	
E	0515	2+1/1/94	A
5	0394	06/8/93	B
4	0348	13/5/93	C
3	0335	19/4/93	D
2	0299	5-2-93	E
1	MANUFACTURE RELEASE		F
ISS	ECO NUMBER	DATE	G

MATERIAL		DIMENSIONS IN	
UNSPECIFIED HOLE DATA		TOLERANCE (UNLESS OTHERWISE STATED)	
MATERIAL THICKNESS		DIMENSIONAL	
INTERNAL BEND RADII		CENTRES	
EXTERNAL B/A		ANGULAR	
BEND DIE		MODEL	
DRAWN T.FOY	DATE 28/06/92	1959SLP	
CHECKED	DATE		
APPROVED	DATE		

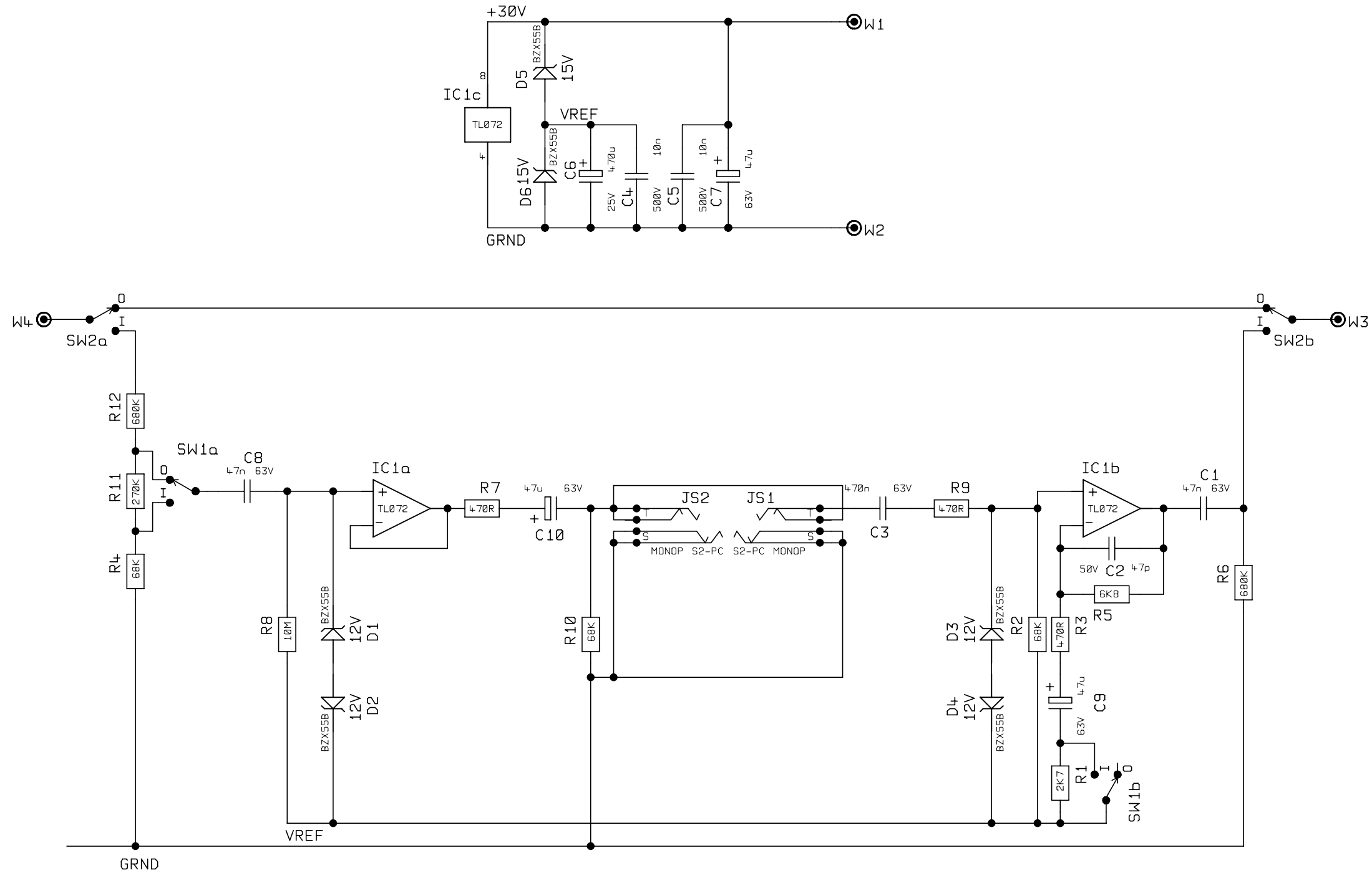
Marshall

© MARSHALL AMPLIFICATION PLC
DENBIGH ROAD, BLETCHLEY, MILTON KEYNES, MK1 1DD.
TEL: (0908)375411 FAX: (0908)376119

TITLE		A3
CCT DIAGRAM		
2 OF 2		
DWG. No	59X-60-02	ISSUE
		7

ignorelayers 4

DWG.No. PCBP-00119-60-02



DRAWN	DATE		
MODEL	1959-01/1987-01		
	2203-01/2203ZW		
ISS	ECO NUMBER	DATE	



TITLE	EFFECTS LOOP CIRCUIT
DWG.No	PCBP-00119-60-02
ISS	1